



# Emotron FDU 2.0 AC drive



Instruction manual  
English  
Software version 4.3X



# **Emotron FDU 2.0**

## **INSTRUCTION MANUAL - ENGLISH**

Software version 4.3X

Document number: 01-5325-01

Edition: r2

Date of release: 15-05-2014

© Copyright CG Drives & Automation Sweden AB 2005 - 2014  
CG Drives & Automation Sweden AB retains the right to change specifications and illustrations in the text, without prior notification. The contents of this document may not be copied without the explicit permission of CG Drives & Automation Sweden AB.



# Safety Instructions

Congratulations for choosing a product from CG Drives & Automation!

Before you begin with installation, commissioning or powering up the unit for the first time it is very important that you carefully study this Instruction manual. Following symbols can appear in this manual or on the product itself. Always read these first before continuing:

---

**NOTE: Additional information as an aid to avoid problems.**

---



**CAUTION!**  
Failure to follow these instructions can result in malfunction or damage to the AC drive.

---



**Warning!**  
Failure to follow these instructions can result in serious injury to the user in addition to serious damage to the AC drive.

---



**HOT SURFACE!**  
Failure to follow these instructions can result in injury to the user.

---

## Handling the AC drive

Installation, commissioning, demounting, taking measurements, etc, of or on the AC drive may only be carried out by personnel technically qualified for the task. A number of national, regional and local regulations govern handling, storage and installation of the equipment. Always observe current rules and legislation.

## Opening the AC drive



**WARNING!**  
Always switch off the mains voltage before opening the AC drive and wait at least 7 minutes to allow the buffer capacitors to discharge.

---

Always take adequate precautions before opening the AC drive. Although the connections for the control signals and the switches are isolated from the main voltage, do not touch the control board when the AC drive is switched on.

## Precautions to be taken with a connected motor

If work must be carried out on a connected motor or on the driven machine, the mains voltage must always be disconnected from the AC drive first. Wait at least 7 minutes before starting work.

## Earthing

The AC drive must always be earthed via the mains safety earth connection.

## Earth leakage current



### CAUTION!

This AC drive has an earth leakage current which does exceed 3.5 mA AC. Therefore the minimum size of the protective earth

conductor must comply with the local safety regulations for high leakage current equipment which means that according the standard IEC61800-5-1 the protective earth connection must be assured by one of following conditions:

PE conductor cross-sectional area shall for cable size  $\leq 16 \text{ mm}^2$  be equal to the used phase conductors, for cable size above  $16 \text{ mm}^2$  but smaller or equal to  $35 \text{ mm}^2$  the PE conductor cross-sectional area shall be at least  $16 \text{ mm}^2$ . For cables  $>35 \text{ mm}^2$  the PE conductor cross-sectional area should be at least 50 % of the used phase conductor.

When the PE conductor in the used cable type is not in accordance with the above mentioned cross-sectional area requirements, a separate PE conductor should be used to establish this.

---

## Residual current device (RCD) compatibility

This product cause a DC current in the protective conductor. Where a residual current device (RCD) is used for protection in case of direct or indirect contact, only a Type B RCD is allowed on the supply side of this product. Use RCD of 300 mA minimum.

## EMC Regulations

In order to comply with the EMC Directive, it is absolutely necessary to follow the installation instructions. All installation descriptions in this manual follow the EMC Directive.

## Mains voltage selection

The AC drive may be ordered for use with the mains voltage range listed below.

FDU48: 230-480 V

FDU52: 440-525 V

FDU69: 500-690 V

## Voltage tests (Megger)

Do not carry out voltage tests (Megger) on the motor, before all the motor cables have been disconnected from the AC drive.

## Condensation

If the AC drive is moved from a cold (storage) room to a room where it will be installed, condensation can occur. This can result in sensitive components becoming damp. Do not connect the mains voltage until all visible dampness has evaporated.

## Incorrect connection

The AC drive is not protected against incorrect connection of the mains voltage, and in particular against connection of the mains voltage to the motor outlets U, V and W. The AC drive can be damaged in this way.

## Power factor capacitors for improving $\cos\phi$

Remove all capacitors from the motor and the motor outlet.

## Precautions during Autoreset

When the automatic reset is active, the motor will restart automatically provided that the cause of the trip has been removed. If necessary take the appropriate precautions.

## Transport

To avoid damage, keep the AC drive in its original packaging during transport. This packaging is specially designed to absorb shocks during transport.

## IT Mains supply

The AC drives can be modified for an IT mains supply, (non-earthed neutral), please contact your supplier for details.

## Alarms

Never disregard an alarm. Always check and remedy the cause of an alarm.

## Heat warning



**HOT SURFACE!**  
Be aware of specific parts on the AC drive having high temperature.

---

## DC-link residual voltage



**WARNING!**  
After switching off the mains supply, dangerous voltage can still be present in the AC drive. When opening the AC drive for installing and/or commissioning activities wait at least 7 minutes. In case of malfunction a qualified technician should check the DC-link or wait for one hour before dismantling the AC drive for repair.

---

# Contents

<b>Safety Instructions .....</b>	<b>1</b>	4.5	Connecting the Control Signals.....	43
<b>Contents.....</b>	<b>3</b>	4.5.1	Cables .....	43
<b>1. Introduction.....</b>	<b>7</b>	4.5.2	Types of control signals .....	45
1.1 Delivery and unpacking .....	7	4.5.3	Screening.....	45
1.2 Using of the instruction manual .....	7	4.5.4	Single-ended or double-ended connection? .....	45
1.2.1 Instruction manuals for optional equipment.....	7	4.5.5	Current signals ((0)4-20 mA).....	46
1.3 Warranty .....	8	4.5.6	Twisted cables.....	46
1.4 Type code number.....	8	4.6	Connecting options .....	46
1.5 Standards .....	9	<b>5. Getting Started.....</b>	<b>47</b>	
1.5.1 Product standard for EMC .....	9	5.1	Connect the mains and motor cables .....	47
1.6 Dismantling and scrapping.....	11	5.1.1	Mains cables .....	47
1.6.1 Disposal of old electrical and electronic equipment .....	11	5.1.2	Motor cables.....	47
1.7 Glossary .....	11	5.2	Using the function keys .....	47
1.7.1 Abbreviations and symbols.....	11	5.3	Remote control.....	48
1.7.2 Definitions.....	11	5.3.1	Connect control cables .....	48
<b>2. Mounting.....</b>	<b>13</b>	5.3.2	Switch on the mains .....	48
2.1 Lifting instructions.....	13	5.3.3	Set the Motor Data.....	48
2.2 Stand-alone units .....	14	5.3.4	Run the AC drive.....	48
2.2.1 Cooling .....	14	5.4	Local control .....	49
2.2.2 Mounting schemes.....	14	5.4.1	Switch on the mains .....	49
2.3 Cabinet mounting.....	19	5.4.2	Select manual control.....	49
2.3.1 Cooling .....	19	5.4.3	Set the Motor Data.....	49
2.3.2 Recommended free space in front of cabinet .....	19	5.4.4	Enter a Reference Value.....	49
2.3.3 Mounting schemes.....	20	5.4.5	Run the AC drive.....	49
<b>3. Installation .....</b>	<b>23</b>	<b>6. Applications.....</b>	<b>51</b>	
3.1 Before installation .....	23	6.1	Application overview .....	51
3.1.1 Remove/open front cover.....	23	6.1.1	Pumps.....	51
3.1.2 Remove/open the lower front cover on Frame size E2 and F2 (IP20/21).....	23	6.1.2	Fans .....	51
3.2 Cable connections for smaller frame sizes .....	24	6.1.3	Compressors .....	52
3.2.1 Mains cables .....	24	6.1.4	Blowers .....	52
3.2.2 Motor cables.....	26	<b>7. Main Features .....</b>	<b>53</b>	
3.3 Connection of motor and mains cables for larger frame sizes.....	28	7.1	Parameter sets.....	53
3.3.1 Connection of mains and motor cables on IP20 modules .....	29	7.1.1	One motor and one parameter set .....	54
3.4 Cable specifications .....	31	7.1.2	One motor and two parameter sets.....	54
3.4.1 Stripping lengths .....	31	7.1.3	Two motors and two parameter sets .....	54
3.4.2 Fuse data.....	32	7.1.4	Autoreset at trip .....	54
3.4.3 Cable connection data for mains, motor and PE cables according to IEC ratings .....	32	7.1.5	Reference priority.....	55
3.4.4 Cable connection data for mains, motor and PE cables according to NEMA ratings.....	35	7.1.6	Preset references.....	55
3.5 Thermal protection on the motor .....	37	7.2	Remote control functions .....	56
3.6 Motors in parallel .....	37	7.3	Performing an Identification Run .....	58
<b>4. Control Connections.....</b>	<b>39</b>	7.4	Using the Control Panel Memory.....	58
4.1 Control board.....	39	7.5	Load Monitor and Process Protection [400].....	59
4.2 Terminal connections .....	40	7.5.1	Load Monitor [410].....	59
4.3 Inputs configuration with the switches.....	41	7.6	Pump function .....	61
4.4 Connection example .....	42	7.6.1	Introduction .....	61
		7.6.2	Fixed MASTER .....	62
		7.6.3	Alternating MASTER .....	62
		7.6.4	Feedback 'Status' input .....	63
		7.6.5	Fail safe operation .....	63
		7.6.6	PID control .....	64
		7.6.7	Wiring Alternating Master .....	65
		7.6.8	Checklist And Tips .....	66
		7.6.9	Functional Examples of Start/Stop Transitions ....	67

<b>8.</b>	<b>EMC and standards .....</b>	<b>69</b>	11.5.2	Digital Inputs [520] .....	155
8.1	EMC standards .....	69	11.5.3	Analogue Outputs [530] .....	157
8.2	Stop categories and emergency stop .....	69	11.5.4	Digital Outputs [540] .....	161
<b>9.</b>	<b>Operation via the Control Panel .....</b>	<b>71</b>	11.5.5	Relays [550] .....	163
9.1	General .....	71	11.5.6	Virtual Connections [560] .....	165
9.2	The control panel .....	71	11.6	Logical Functions and Timers [600] .....	166
9.2.1	The display.....	71	11.6.1	Comparators [610] .....	166
9.2.2	Indications on the display.....	72	11.6.2	Logic Output Y [620].....	176
9.2.3	LED indicators .....	72	11.6.3	Logic Output Z [630].....	178
9.2.4	Control keys .....	72	11.6.4	Timer1 [640] .....	179
9.2.5	The Toggle and Loc/Rem Key .....	73	11.6.5	Timer2 [650] .....	181
9.2.6	Function keys .....	74	11.6.6	Counters [660].....	183
9.3	The menu structure.....	74	11.7	View Operation/Status [700].....	186
9.3.1	The main menu .....	74	11.7.1	Operation [710].....	186
9.4	Programming during operation .....	75	11.7.2	Status [720] .....	188
9.5	Editing values in a menu .....	75	11.7.3	Stored values [730] .....	192
9.6	Copy current parameter to all sets .....	75	11.8	View Trip Log [800] .....	193
9.7	Programming example.....	76	11.8.1	Trip Message log [810].....	193
<b>10.</b>	<b>Serial communication .....</b>	<b>77</b>	11.8.2	Trip Messages [820] - [890] .....	194
10.1	Modbus RTU .....	77	11.8.3	Reset Trip Log [8A0] .....	195
10.2	Parameter sets .....	77	11.9	System Data [900].....	195
10.3	Motor data .....	78	11.9.1	VSD Data [920] .....	195
10.4	Start and stop commands.....	78	<b>12.</b>	<b>Troubleshooting, Diagnoses and</b>	
10.5	Reference signal .....	78		<b>Maintenance .....</b>	<b>197</b>
10.5.1	Process value .....	78	12.1	Trips, warnings and limits.....	197
10.6	Description of the Elnt formats .....	79	12.2	Trip conditions, causes and remedial action .....	198
<b>11.</b>	<b>Functional Description .....</b>	<b>81</b>	12.2.1	Technically qualified personnel.....	198
11.1	Preferred View [100].....	81	12.2.2	Opening the AC drive .....	198
11.1.1	1st Line [110].....	81	12.2.3	Precautions to take with a connected motor .....	198
11.1.2	2nd Line [120] .....	82	12.2.4	Autoreset Trip .....	198
11.2	Main Setup [200].....	82	12.3	Maintenance .....	202
11.2.1	Operation [210].....	82	<b>13.</b>	<b>Options .....</b>	<b>203</b>
11.2.2	Remote Signal Level/Edge [21A].....	86	13.1	Options for the control panel.....	203
11.2.3	Mains supply voltage [21B].....	87	13.2	Handheld Control Panel 2.0 .....	203
11.2.4	Motor Data [220] .....	87	13.3	EmoSoftCom.....	203
11.2.5	Motor Protection [230].....	93	13.4	Brake chopper .....	204
11.2.6	Parameter Set Handling [240].....	97	13.5	I/O Board .....	205
11.2.7	Trip Autoreset/Trip Conditions [250].....	99	13.6	Encoder.....	205
11.2.8	Serial Communication [260] .....	107	13.7	PTC/PT100 .....	205
11.3	Process and Application Parameters [300] .....	111	13.8	Serial communication and fieldbus .....	206
11.3.1	Set/View Reference Value [310] .....	111	13.9	Standby supply board option.....	206
11.3.2	Process Settings [320] .....	112	13.10	Safe Stop option.....	207
11.3.3	Start/Stop settings [330] .....	116	13.11	EMC filter class C2 .....	209
11.3.4	Mechanical brake control.....	121	13.12	Output chokes .....	209
11.3.5	Speed [340].....	125	13.13	Liquid cooling .....	209
11.3.6	Torques [350].....	128	13.14	Top cover for IP20/21 version .....	209
11.3.7	Preset References [360] .....	130	13.15	Other options.....	209
11.3.8	PID Process Control [380] .....	131	13.16	AFE - Active Front End.....	209
11.3.9	Pump/Fan Control [390] .....	135	<b>14.</b>	<b>Technical Data .....</b>	<b>211</b>
11.4	Load Monitor and Process Protection [400] .....	142	14.1	Electrical specifications related to model .....	211
11.4.1	Load Monitor [410].....	142	14.2	General electrical specifications.....	217
11.4.2	Process Protection [420].....	146	14.3	Operation at higher temperatures .....	218
11.5	I/Os and Virtual Connections [500].....	148	14.4	Operation at higher switching frequency.....	219
11.5.1	Analogue Inputs [510] .....	148	14.5	Dimensions and Weights.....	220
			14.6	Environmental conditions.....	222



14.7	Fuses and glands .....	223
14.7.1	According to IEC ratings.....	223
14.7.2	Fuses according to NEMA ratings .....	225
14.8	Control signals.....	226
<b>15.</b>	<b>Menu List .....</b>	<b>227</b>
	<b>Index .....</b>	<b>233</b>



# 1. Introduction

Emotron FDUis used most commonly to control and protect pump and fan applications that put high demands on flow control, process uptime and low maintenance costs. It can also be used for e.g. compressors and blowers. The used motor control method is V/Hz-control. Several options are available, listed in chapter 13. page 203, that enable you to customize the AC drive for your specific needs.

---

**NOTE: Read this instruction manual carefully before starting installation, connection or working with the AC drive.**

---

## Users

This instruction manual is intended for:

- installation engineers
- maintenance engineers
- operators
- service engineers

## Motors

The AC drive is suitable for use with standard 3-phase asynchronous motors. Under certain conditions it is possible to use other types of motors. Contact your supplier for details.

## 1.1 Delivery and unpacking

Check for any visible signs of damage. Inform your supplier immediately of any damage found. Do not install the AC drive if damage is found.

The AC drives are delivered with a template for positioning the fixing holes on a flat surface. Check that all items are present and that the type number is correct.

## 1.2 Using of the instruction manual

Within this instruction manual the abbreviation “AC drive” is used to indicate the complete variable speed drive as a single unit.

Check that the software version number on the first page of this manual matches the software version in the AC drive. See chapter 11.9 page 195

With help of the index and the table of contents it is easy to track individual functions and to find out how to use and set them.

The Quick Setup Card can be put in a cabinet door, so that it is always easy to access in case of an emergency.

### 1.2.1 Instruction manuals for optional equipment

In the following table we have listed available options and the name of the Instruction manual or data sheet/ Instruction plus document number. Further in this main manual we are often referring to these instructions.

*Table 1 Available options and documents*

Option	Valid instruction manual/ document number
I/O board	I/O board 2.0, instruction manual / 01-5916-01
Encoder board	Emotron Encoder board 2.0, Instruction manual / 01-5917-01
PTC/PT100 board	PTC/PT100 board 2.0, instruction manual / 01-5920-01
CRIO board (VFX)	Emotron AC Drive Crane option 2.0, Instruction manual
Crane interface (VFX)	
Fieldbus - Profibus	Fieldbus Option, Instruction manual / 01-3698-01
Fieldbus - DeviceNet	
Ethernet - Modbus TCP	
Ethernet - EtherCAT	
Ethernet - Profinet IO 1-port	
Ethernet - Profinet IO 2-port	
RS232/RS485 isolated	Emotron isolated RS232 / 485 2.0 option Instruction manual / 01-5919-01
Control panel kit, Incl blank panel	Emotron FDU/VFX 2.0 External Control Panel, instruction manual / 01-5928-01
Control panel kit, Incl control panel	
Handheld Control Panel HCP2.0	Emotron HCP 2.0, instrucion manual / 01-5925-01

Table 1 Available options and documents

Option	Valid instruction manual/ document number
Safe stop	Option Safe Stop (STO – Safe Torque Off), Technical description / 01-5921-01
Overshoot clamp	Overshoot clamp Datasheet/Instruction / 01-5933-11
Liquid cooling	Emotron FDU/VFX 2.0 Liquid Cooling, instruction manual / 01-4636-01
Output choke	Output coils Datasheet/Instruction / 01-3132-11
AFE- Active front end	Emotron VFX/FDU 2.0 AFE- Active Front End option, Instruction manual / 01-5386-01

### 1.3 Warranty

The warranty applies when the equipment is installed, operated and maintained according to instructions in this instruction manual. Duration of warranty as per contract. Faults that arise due to faulty installation or operation are not covered by the warranty.

### 1.4 Type code number

Fig. 1 gives an example of the type code numbering used on all AC drives. With this code number the exact type of the drive can be determined. This identification will be required for type specific information when mounting and installing. The code number is located on the product label, on the front of the unit.

FDU48-175-54 C E - - - A - N N N N A N -																	
Position number:																	
1	2	3	4	5	6	7	8	9	10	11	12	13	14	15	16	17	18

Fig. 1 Type code number

Position for 003-088	Position for 090-3K0	Configuration	
1	1	AC drive type	FDU VFX
2	2	Supply voltage	48=400 V mains 52=525 V mains 69=690 V mains
3	3	Rated current (A) continuous	-003=2.5 A - -3K0=3000 A

Position for 003-088	Position for 090-3K0	Configuration	
4	4	Protection class	20=IP20 21=IP21 54=IP54
5	5	Control panel	--=Blank panel C=Standard panel
6	6	EMC option	E=Standard EMC (Category C3) F=Extended EMC (Category C2) I=IT-Net
7	7	Brake chopper option	--=No chopper B=Chopper built in D=DC+/- interface
8	8	Stand-by power supply option	--=No SBS S=SBS included
-	9	Safe stop option (Only valid for 090-3k0)	--=No safe stop T=Safe stop incl.
9	10	Brand label	A=Standard
10	-	Painted AC drive	A=Standard paint
11	11	Coated boards, option	- =Standard boards V=Coated boards
12	12	Option position 1	N=No option C=Crane I/O E=Encoder P=PTC/PT100 I=Extended I/O S=Safe Stop (only 003-074)
13	13	Option position 2	
14	14	Option position 3	
15	15	Option position, communication	N=No option D=DeviceNet P=Profibus S=RS232/485 M=Modbus/TCP E= EtherCAT A=Profinet IO 1-port B=Profinet IO 2-port
16	16	Software type	A=Standard
17	-	Motor PTC. (Only valid for 003-074)	N=No option P=PTC
18	-	Gland kit. (Only valid for 003-074)	--=Glands not included G=Gland kit included

## 1.5 Standards

The AC drives described in this instruction manual comply with the standards listed in Table 2. For the declarations of conformity and manufacturer's certificate, contact your supplier for more information or visit [www.emotron.com/](http://www.emotron.com/) [www.cgglobal.com](http://www.cgglobal.com).

### 1.5.1 Product standard for EMC

Product standard EN(IEC)61800-3, second edition of 2004 defines the:

**First Environment** (Extended EMC) as environment that includes domestic premises. It also includes establishments directly connected without intermediate transformers to a low voltage power supply network that supplies buildings used for domestic purposes.

Category C2: Power Drive System (PDS) of rated voltage <1.000 V, which is neither a plug in device nor a movable device and, when used in the first environment, is intended to be installed and commissioned only by a professional.

**Second environment** (Standard EMC) includes all other establishments.

Category C3: PDS of rated voltage <1.000 V, intended for use in the second environment and not intended for use in the first environment.

Category C4: PDS or rated voltage equal or above 1.000 V, or rated current equal to or above 400 A, or intended for use in complex systems in the second environment.

The AC drive complies with the product standard EN(IEC) 61800-3:2004 (Any kind of metal screened cable may be used). The standard AC drive is designed to meet the requirements according to category C3.

By using the optional "Extended EMC" filter the AC drive fulfils requirements according to category C2,



**WARNING!**

**In a domestic environment this product may cause radio interference, in which case it may be necessary to take adequate additional measures.**



**WARNING!**

**The standard AC drive, complying with category C3, is not intended to be used on a low-voltage public network which supplies domestic premises; radio interference is expected if used in such a network. Contact your supplier if you need additional measures.**

---

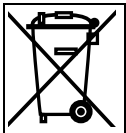
Table 2 Standards

Market	Standard	Description
European	EMC Directive	2004/108/EC
	Low Voltage Directive	2006/95/EC
	WEEE Directive	2002/96/EC
All	EN 60204-1	Safety of machinery - Electrical equipment of machines Part 1: General requirements.
	EN(IEC)61800-3:2004	Adjustable speed electrical power drive systems Part 3: EMC requirements and specific test methods. <b>EMC Directive: Declaration of Conformity and CE marking</b>
	EN(IEC)61800-5-1 Ed. 2.0	Adjustable speed electrical power drive systems Part 5-1. Safety requirements - Electrical, thermal and energy. <b>Low Voltage Directive: Declaration of Conformity and CE marking</b>
	IEC 60721-3-3	Classification of environmental conditions. Air quality chemical vapours, unit in operation. Chemical gases 3C2, Solid particles 3S2. Optional with coated boards Unit in operation. Chemical gases Class 3C3, Solid particles 3S2.
	UL508C	UL Safety standard for Power Conversion Equipment
North & South America	For 2.5 - 46 A and $\geq 90$ A USL	USL (United States Standards - Listed) complying with the requirements of UL508C Power Conversion Equipment
	For 2.5 - 46 A and $\geq 90$ A UL 840	UL Safety standard for Power Conversion Equipment. Insulation coordination including clearances and creepage distances for electrical equipment.
	For 2.5 - 46 A CNL	CNL (Canadian National Standards - Listed) complying with the requirements of CAN/CSA C22.2 No. 14-10 Industrial Control Equipment.
Russian	GOST R	For all sizes

## 1.6 Dismantling and scrapping

The enclosures of the drives are made from recyclable material as aluminium, iron and plastic. Each drive contains a number of components demanding special treatment, for example electrolytic capacitors. The circuit boards contain small amounts of tin and lead. Any local or national regulations in force for the disposal and recycling of these materials must be complied with.

### 1.6.1 Disposal of old electrical and electronic equipment




This symbol on the product or on its packaging indicates that this product shall be taken to the applicable collection point for the recycling of electrical and electronic equipment. By ensuring this product is disposed of correctly, you will help prevent potentially negative consequences for the environment and human health, which could otherwise be caused by inappropriate waste handling of this product. The recycling of materials will help to conserve natural resources. For more detailed information about recycling this product, please contact the local distributor of the product.

## 1.7 Glossary

### 1.7.1 Abbreviations and symbols

In this manual the following abbreviations are used:

Table 3 Abbreviations

Abbreviation/symbol	Description
DSP	Digital signals processor
AC drive	Frequency converter
PEBB	Power Electronic Building Block
IGBT	Insulated Gate Bipolar Transistor
CP	Control panel, the programming and presentation unit on the AC drive
HCP	Handheld control panel (option)
EInt	Communication format
UInt	Communication format (Unsigned integer)
Int	Communication format (Integer)
Long	Communication format
	The function cannot be changed in run mode

### 1.7.2 Definitions

In this manual the following definitions for current, torque and frequency are used:

Table 4 Definitions

Name	Description	Quantity
$I_{IN}$	Nominal input current of AC drive	$A_{RMS}$
$I_{NOM}$	Nominal output current of AC drive	$A_{RMS}$
$I_{MOT}$	Nominal motor current	$A_{RMS}$
$P_{NOM}$	Nominal power of AC drive	kW
$P_{MOT}$	Motor power	kW
$T_{NOM}$	Nominal torque of motor	Nm
$T_{MOT}$	Motor torque	Nm
$f_{OUT}$	Output frequency of AC drive	Hz
$f_{MOT}$	Nominal frequency of motor	Hz
$n_{MOT}$	Nominal speed of motor	rpm
$I_{CL}$	Maximum output current	$A_{RMS}$
Speed	Actual motor speed	rpm
Torque	Actual motor torque	Nm
Sync speed	Synchronous speed of the motor	rpm





## 2. Mounting

This chapter describes how to mount the AC drive.

Before mounting it is recommended that the installation is planned out first.

- Be sure that the AC drive suits the mounting location.
- The mounting site must support the weight of the AC drive.
- Will the AC drive continuously withstand vibrations and/or shocks?
- Consider using a vibration damper.
- Check ambient conditions, ratings, required cooling air flow, compatibility of the motor, etc.
- Know how the AC drive will be lifted and transported.

### 2.1 Lifting instructions

**Note: To prevent personal risks and any damage to the unit during lifting, it is advised that the lifting methods described below are used.**

Recommended for AC drive models  
-090 to -250

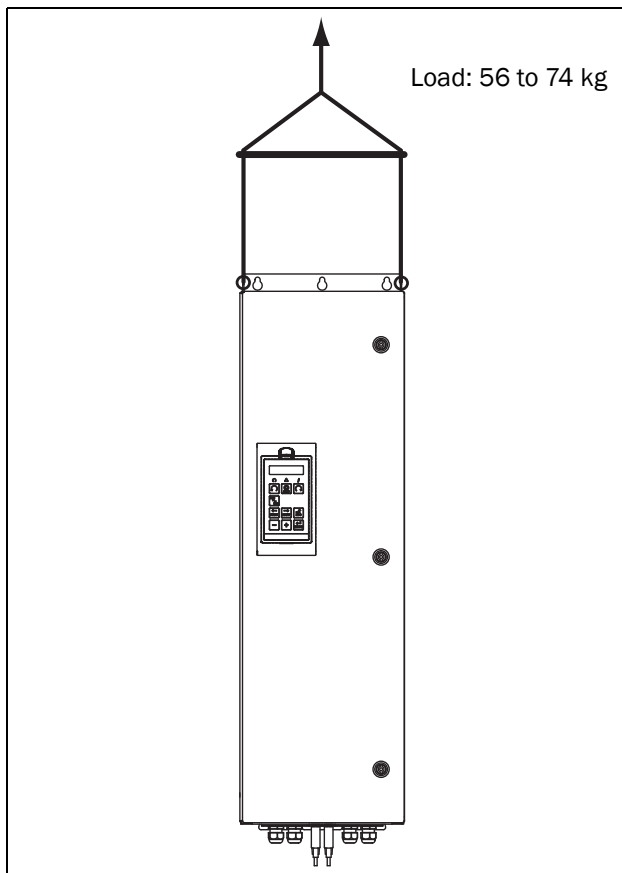


Fig. 2 Lifting AC drive model -090 to -250

Recommended for AC drive models  
-300 to -3K0

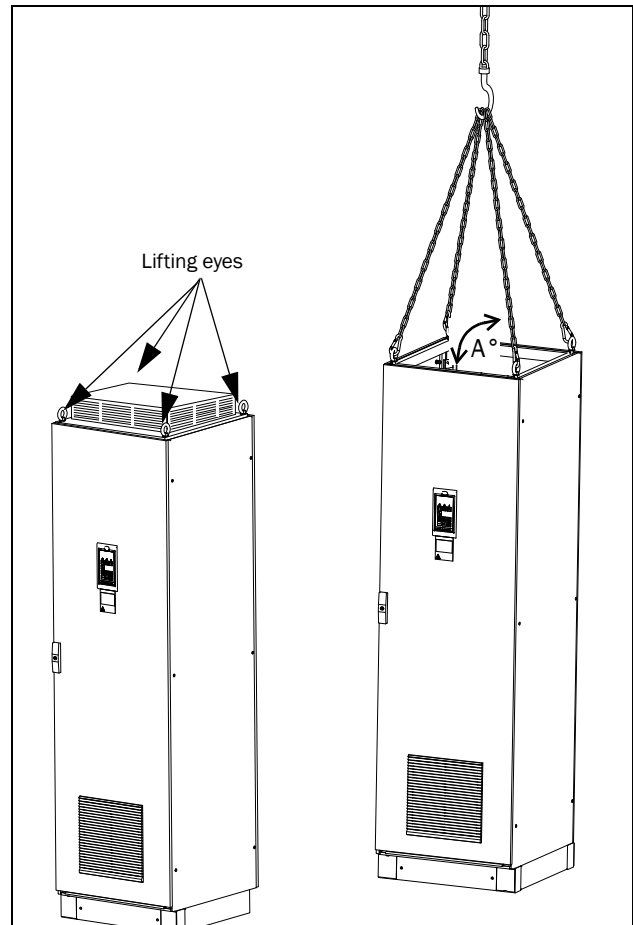


Fig. 3 Remove the roof unit and use the lifting eyes to lift single unit 600mm and 900mm.

Single cabinet drives can be lifted/transported safely using the eyebolts supplied and lifting cables/chains as in illustration Fig. 3 above.

Depending on the cable/chain angle A (in Fig. 3), following loads are permitted:

Cable/chain angle A	Permitted load
45 °	4 800 N
60 °	6 400 N
90 °	13 600N

Regarding lifting instructions for other cabinet sizes, please contact CG Drives & Automation.

## 2.2 Stand-alone units

The AC drive must be mounted in a vertical position against a flat surface. Use the template (in the File archive on our homepage) to mark out the position of the fixing holes.

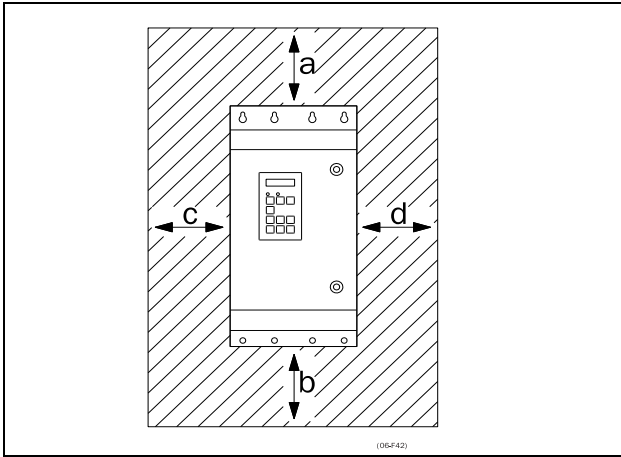


Fig. 4 AC drive mounting model 003 to 3K0

### 2.2.1 Cooling

Fig. 4 shows the minimum free space required around the AC drive for the models 003 to 3K0 in order to guarantee adequate cooling. Because the fans blow the air from the bottom to the top it is advisable not to position an air inlet immediately above an air outlet.

The following minimum separation between two AC drives, or a AC drive and a non-dissipating wall must be maintained. Valid if free space on opposite side.

Table 5 Mounting and cooling

		Frame size B - F2	Frame size C2, D2, E2, F2 with IP21 top cover option	300-3K0 cabinet
FDU-FDU side-by-side (mm)	a	200	200	100
	b	200	200	0
	c	0	50	0
	d	0	50	0
FDU-wall, wall-one side (mm)	a	100	100	100
	b	100	100	0
	c	0	50	0
	d	0	50	0

**NOTE: When a 300 to 3K0 model is placed between two walls, a minimum distance at each side of 200 mm must be maintained.**

### 2.2.2 Mounting schemes

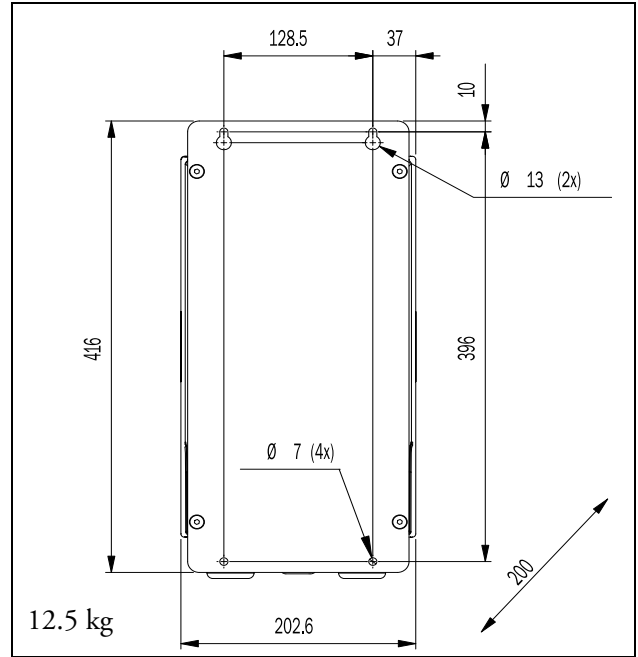


Fig. 5 Emotron FDU Model 48/52-003 to 018 (Frame size B)

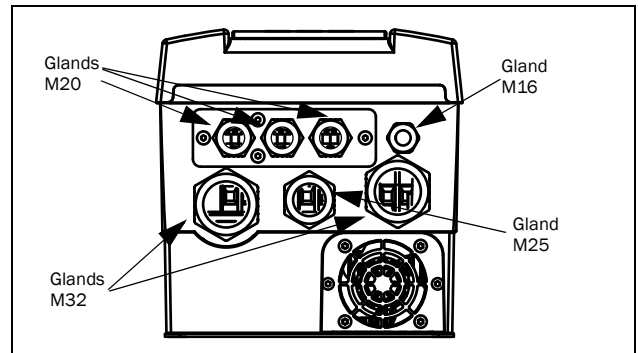


Fig. 6 Cable interface for mains, motor and communication, Emotron FDU Model 48/52-003 to 018 (Frame size B)

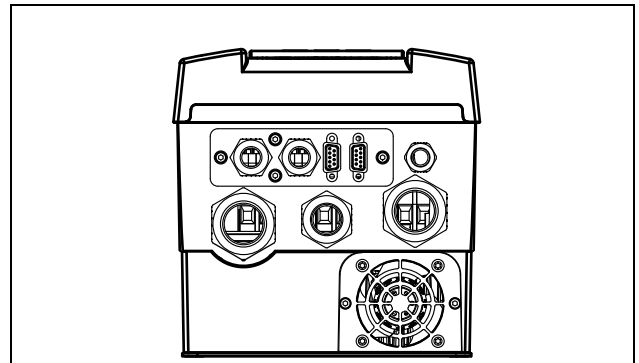


Fig. 7 Emotron FDU Model 48/52-003 to 018 (Frame size B) example with optional CRIO interface and D-sub connectors.

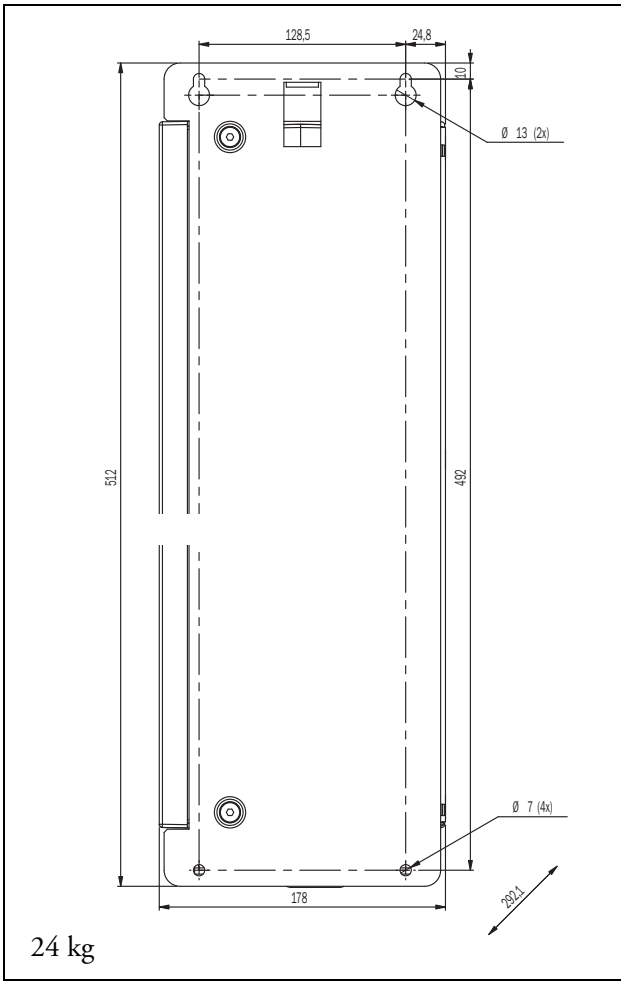


Fig. 8 Emotron FDU Model 48/52-026 to 046 (Frame size C)

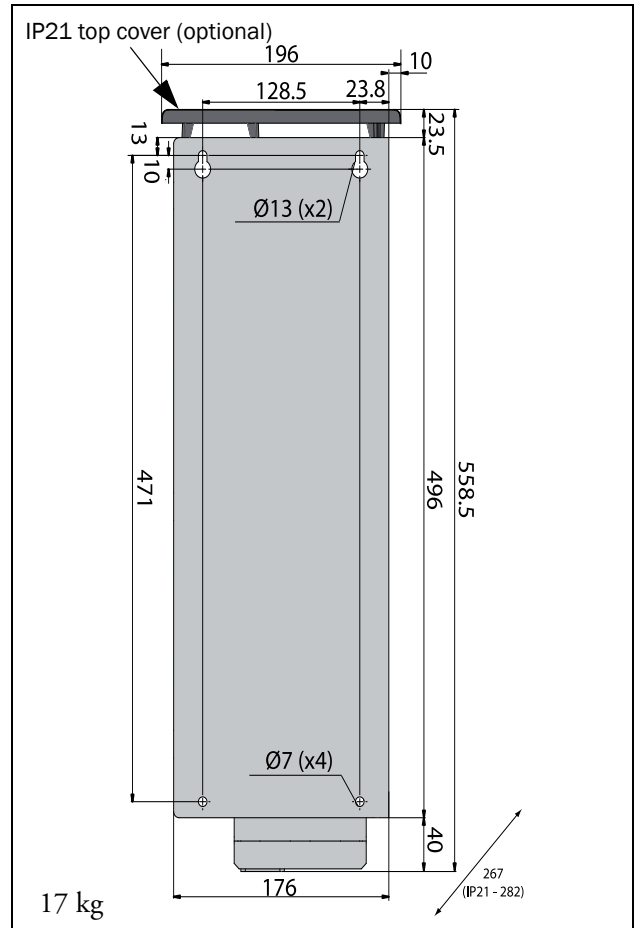


Fig. 10 Emotron FDU Model 48-025 to 48-045 (Frame size C2), backside view.

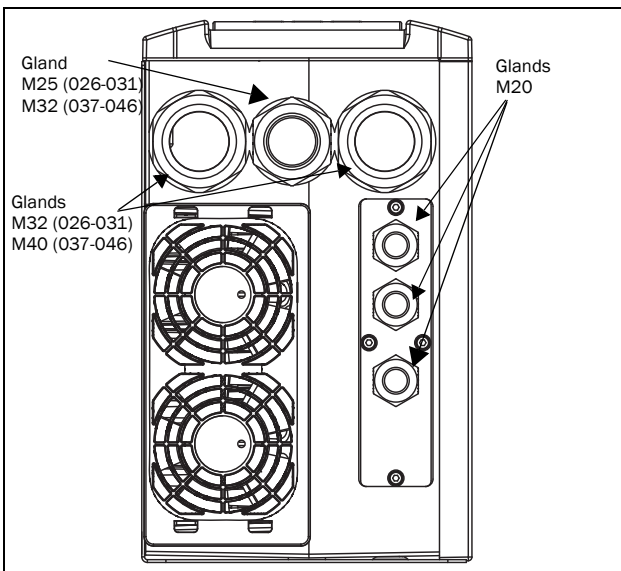


Fig. 9 Cable interface for mains, motor and communication, Emotron FDU Model 48/52-026 to 046 (Frame size C)

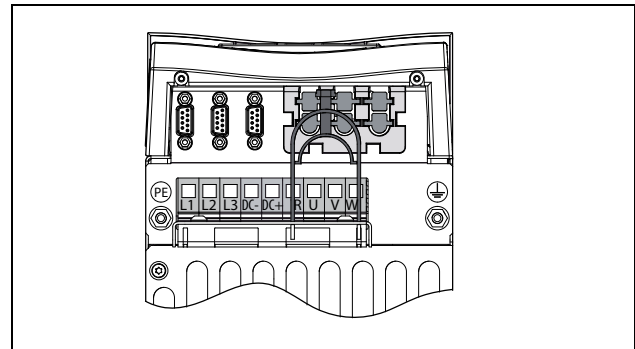


Fig. 11 Bottom view Emotron FDU Model 48-025 to 48-045 (Frame size C2), with cable interface for mains, motor, DC+/DC-, brake resistor and control

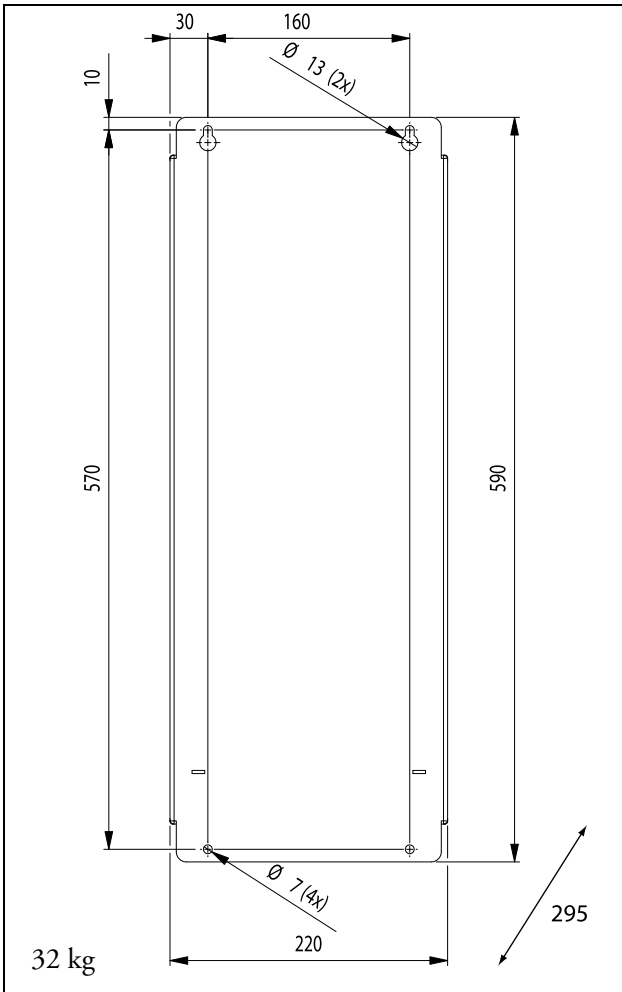


Fig. 12 Emotron FDU Model 48/52-061 and 074 (Frame size D)

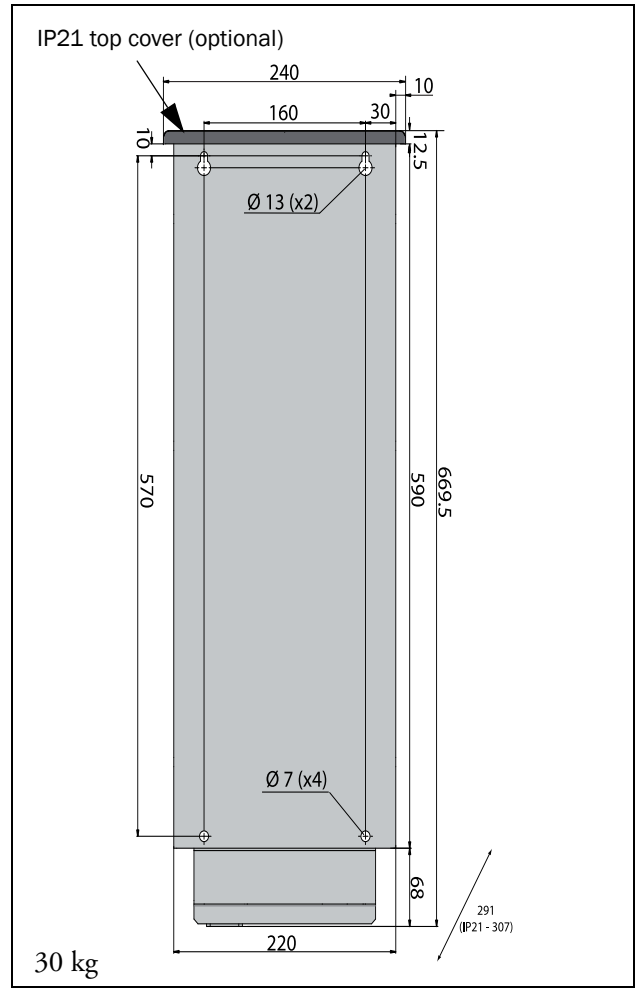


Fig. 14 Emotron FDU Model 48-060 to 48-088 (Frame size D2), backside view.

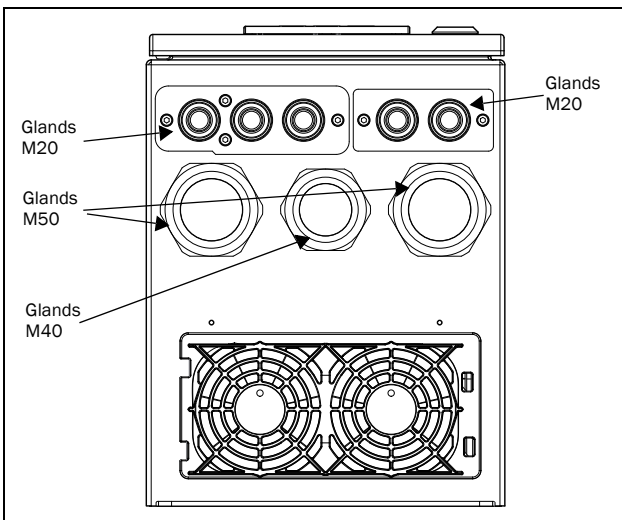


Fig. 13 Cable interface for mains, motor and communication, Emotron FDU Model 48/52-061 and 074 (Frame size D).

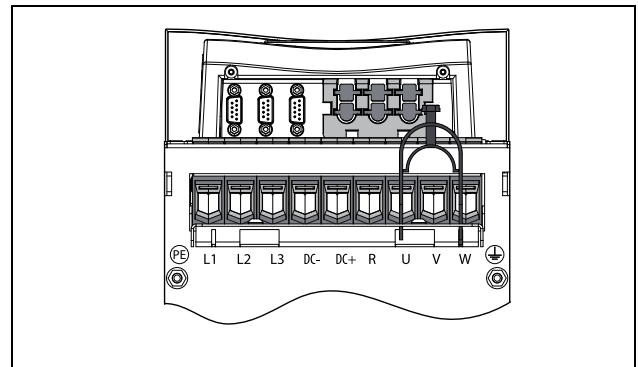


Fig. 15 Bottom view Emotron FDU Model 48-060 to 48-088 (Size D2), with cable interface for mains, motor, DC+/DC-, brake resistor and control.

**NOTE: Glands for size B, C and D are available as option kit.**

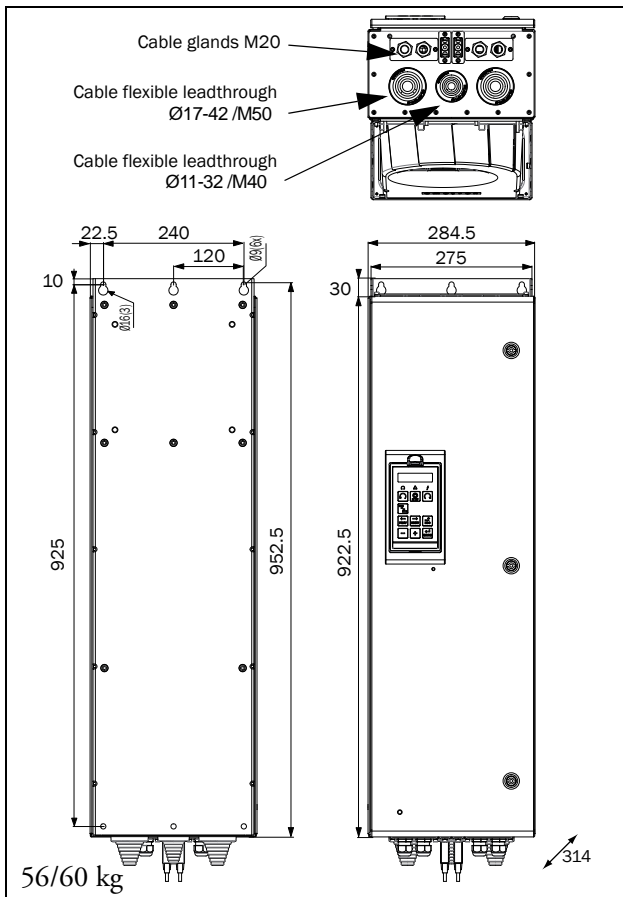


Fig. 16 Emotron FDU Model 48-090 to 175 (Frame size E) including cable interface for mains, motor, DC+/DC-, brake resistor and communication

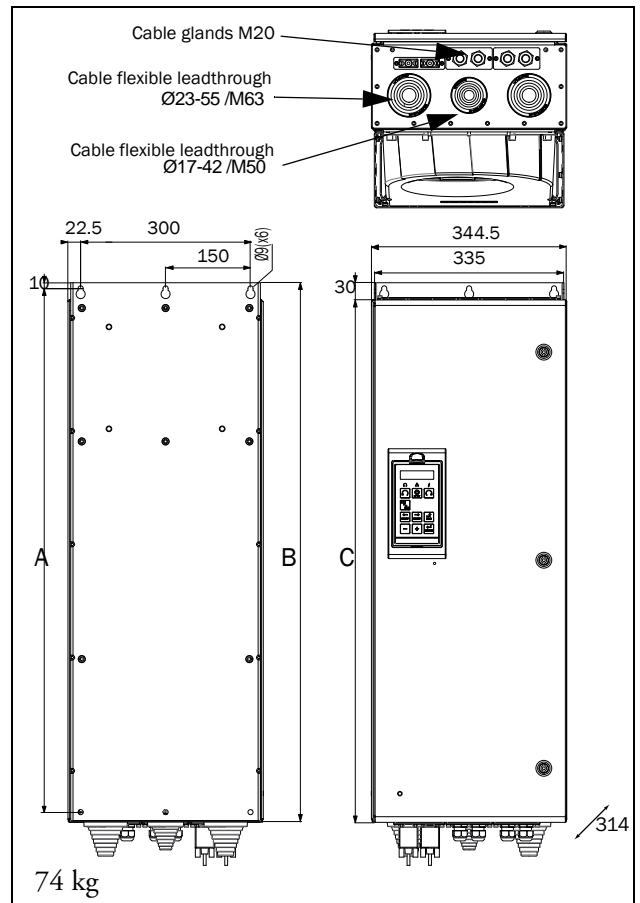


Fig. 17 Emotron FDU Model 48-210 to 250 (Frame size F) Emotron FDU Model 69-90 to 200 (Frame size F69) including cable interface for mains, motor, DC+/DC-, brake resistor and communication

Frame	Emotron FDU model	Dimension in mm		
		A	B	C
F	210 - 250	925	950	920
F69	90 - 200	1065	1090	1060

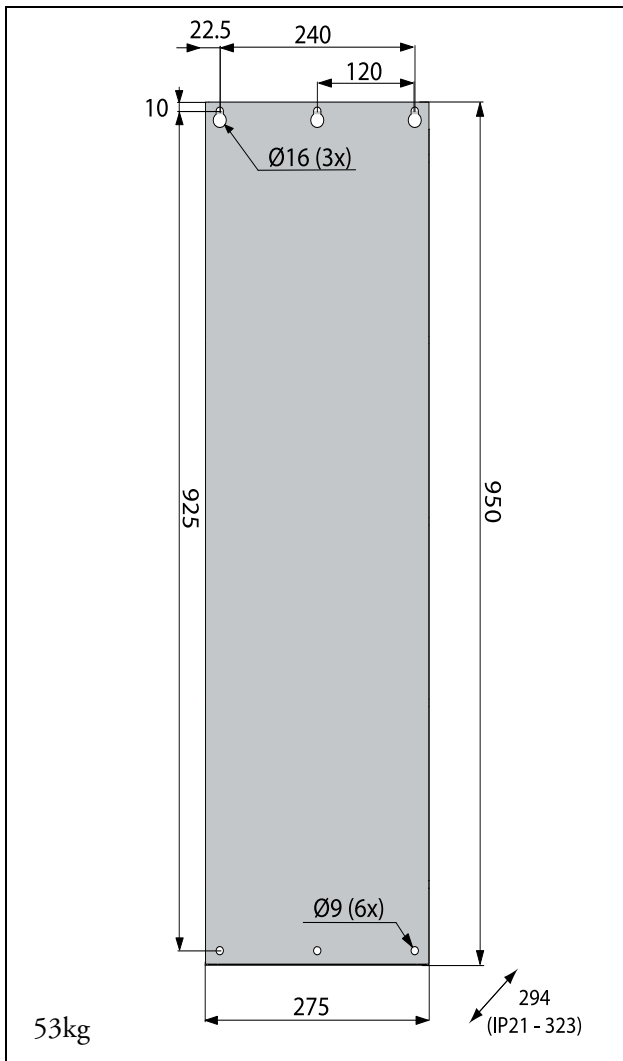


Fig. 18 Emotron /FDU Model 48-106 to 48-171 (Frame size E2).

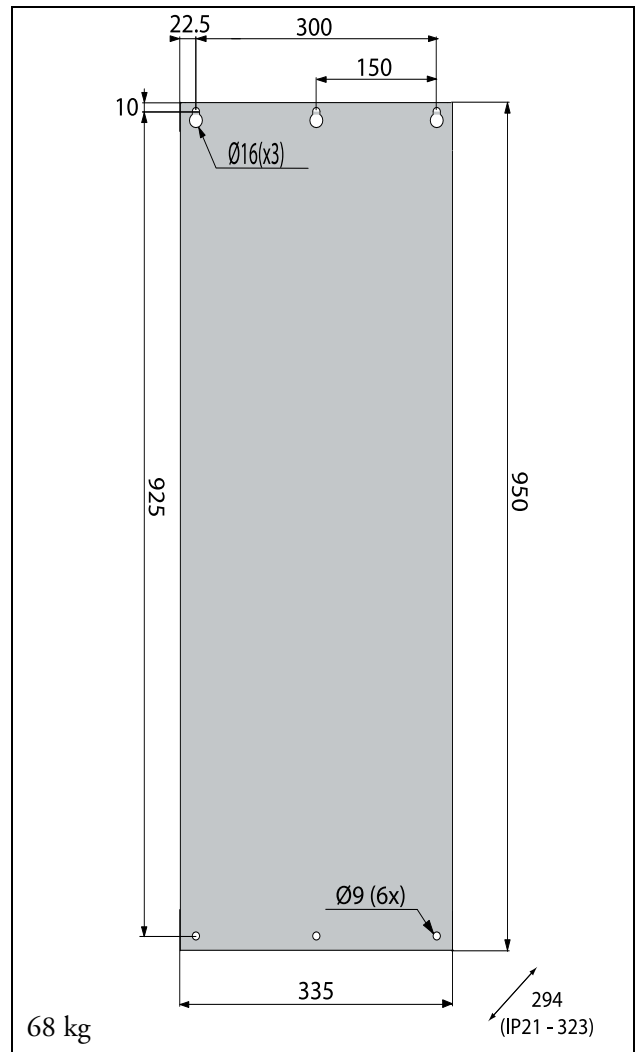


Fig. 20 Emotron /FDU Model 48-205 to 48-244 (Frame size F2).

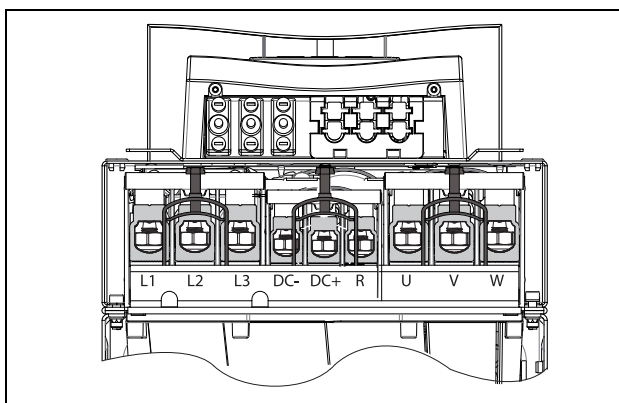


Fig. 19 Bottom view Emotron /FDU Model 48-106 to 48-244 (Frame size E2 and F2), with cable interface for mains, motor, DC+/DC-, brake resistor and control. (principle drawing)

## 2.3 Cabinet mounting

### 2.3.1 Cooling

If the variable speed drive is installed in a cabinet, the rate of airflow supplied by the cooling fans must be taken into consideration.

Frame	Emotron FDU Model	Flow rate [m <sup>3</sup> /hour]
B	003-018	75
C - C2	025 - 031	120
C - C2	036 - 046	170
D - D2	060 - 088	170
E - E2	090 - 175	510
F - F2	205 - 250	800
F69	090 - 200	800
G	300 - 375	1020
H	430 - 500	1600
H69	250 - 400	1600
I	600 - 750	2400
I69	430 - 595	2400
J	860 - 1K0	3200
J69	650 - 800	3200
KA	1K15 - 1K25	4000
KA69	905 - 995	4000
K	1K35 - 1K5	4800
K69	1K2	4800
L	1K75	5600
L69	1K4	5600
M	2K0	6400
M69	1K6	6400
N	2K25	7200
N69	1K8	7200
O	2K5	8000
O69	2K0	8000
P69	2K2	8800
Q69	2K4	9600
R69	2K6	10400
S69	2K8	11200
T69	3K0	12000

**NOTE:** For the models 48-860/69-650 to 69-3K0 the mentioned amount of air flow should be divided equally over the cabinets.

### 2.3.2 Recommended free space in front of cabinet

All cabinet mounted AC drives are designed in modules, so called PEBBs. These PEBBs can be folded out to be replaced. To be able to remove a PEBB in the future, we recommend 1.30 meter free space in front of the cabinet, see Fig. 21.

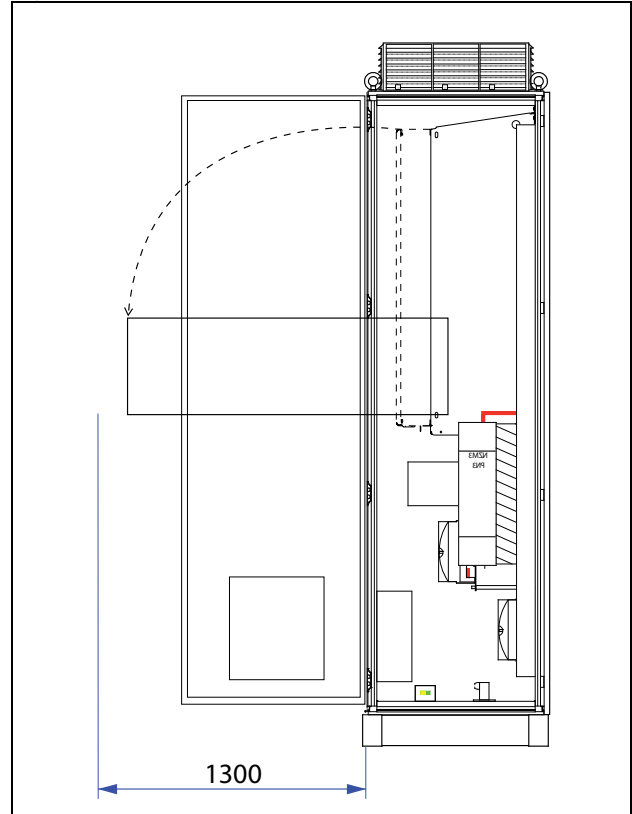
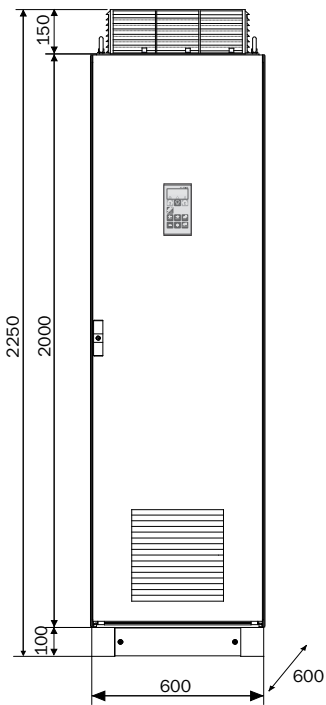
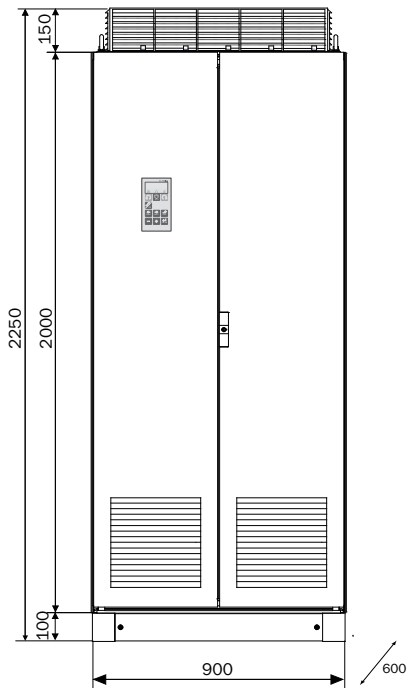


Fig. 21 Recommended free space in front of the cabinet mounted AC drive

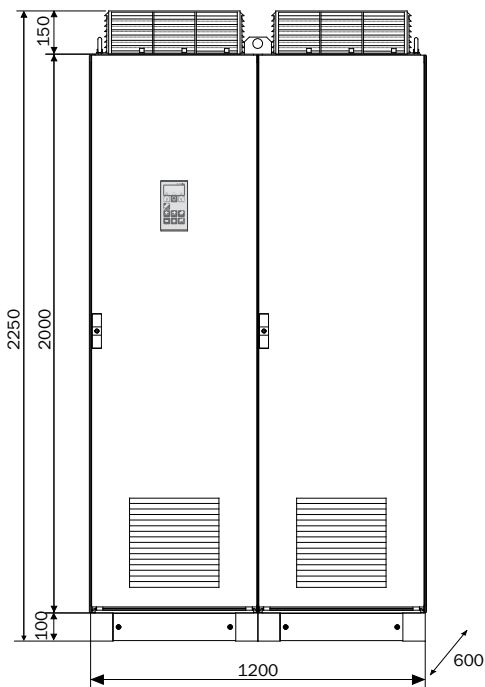
### 2.3.3 Mounting schemes



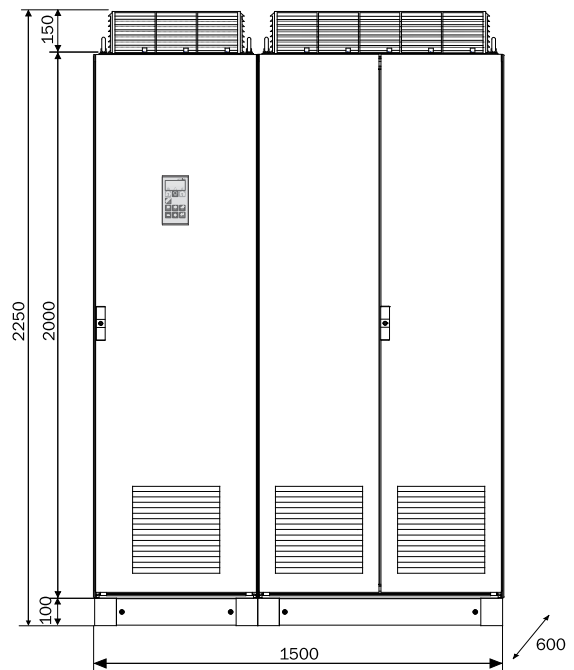
Emotron FDU48: Model 300 to 500 (Frame size G and H)  
Emotron FDU69: Model 250 to 400 (Frame size H69)



Emotron FDU48: Model 600 to 750 (Frame size I)  
Emotron FDU69: Model 430 to 595 (Frame size I69)



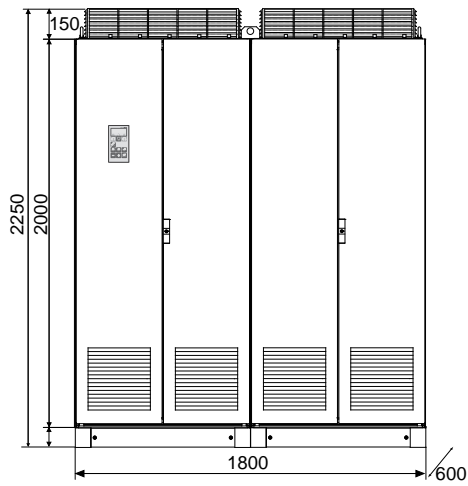
Emotron FDU48: Model 860 to 1K0 (Frame size J)  
Emotron FDU69: Model 650 to 800 (Frame size J69)



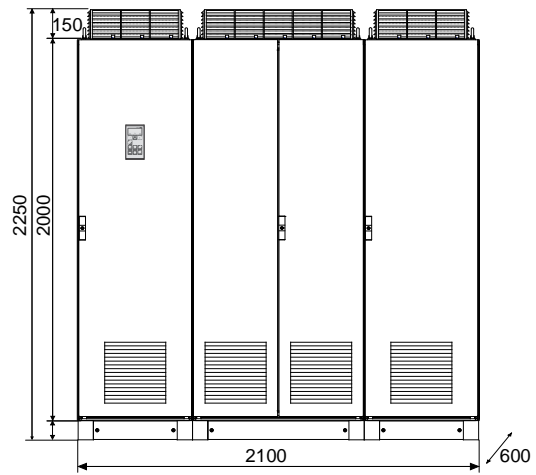
Emotron FDU48: Model 1K15 to 1K25 (Frame size KA)  
Emotron FDU69: Model 905 to 995 (Frame size KA69)

Fig. 22

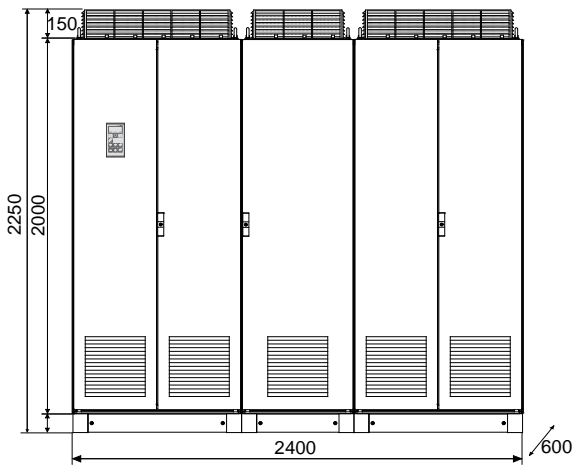




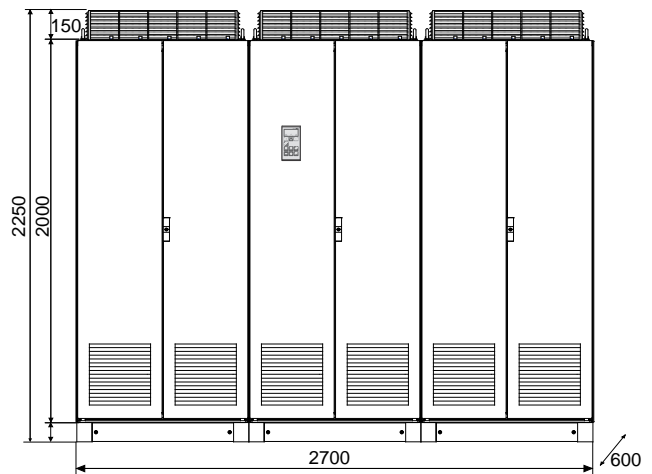
Emotron FDU48: Model 1K35 to 1K5 (Frame size K)  
Emotron FDU69: Model 1K2 (Frame size K69)



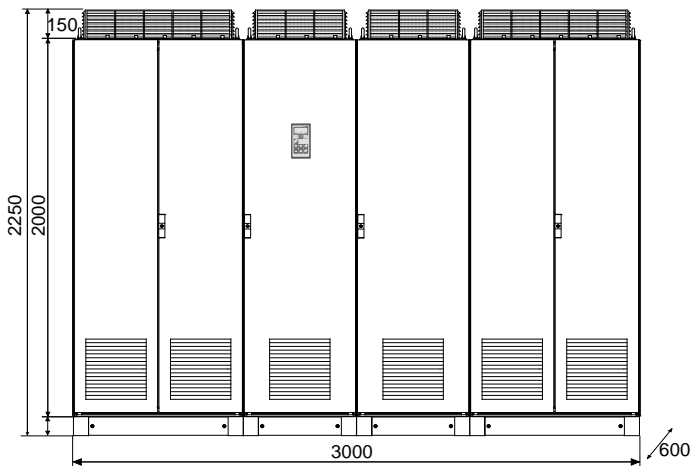
Emotron FDU48: Model 1K75 (Frame size L)  
Emotron FDU69: Model 1K4 (Frame size L69)



Emotron FDU48: Model 2K0 (Frame size M)  
Emotron FDU69: Model 1K6 (Frame size M69)



Emotron FDU48: Model 2K25 (Frame size N)  
Emotron FDU69: Model 1K8 (Frame size N69)



Emotron FDU48: Model 2K5 (Frame size O)  
Emotron FDU69: Model 2K0 (Frame size O69)

Fig. 23



## 3. Installation

The description of installation in this chapter complies with the EMC standards and the Machine Directive.

Select cable type and screening according to the EMC requirements valid for the environment where the AC drive is installed.

### 3.1 Before installation

Read the following checklist and prepare for your application before installation.

- Local or remote control.
- Long motor cables (>100m), refer to section Long motor cables page 28.
- Functions used.
- Suitable AC drive size in proportion to the motor/application.

If the AC drive is temporarily stored before being connected, please check the technical data for environmental conditions. If the AC drive is moved from a cold storage room to the room where it is to be installed, condensation can form on it. Allow the AC drive to become fully acclimatised and wait until any visible condensation has evaporated before connecting the mains voltage.

#### 3.1.1 Remove/open front cover

Frame sizes B - F (IP54)

Remove/open the front cover to access the cable connections and terminals. On Frame size B and C loosen the 4 screws and remove the cover. On Frame size D and up unlock the hinged cover with the key and open it.

Frame size C2 - F2 (IP20/21)

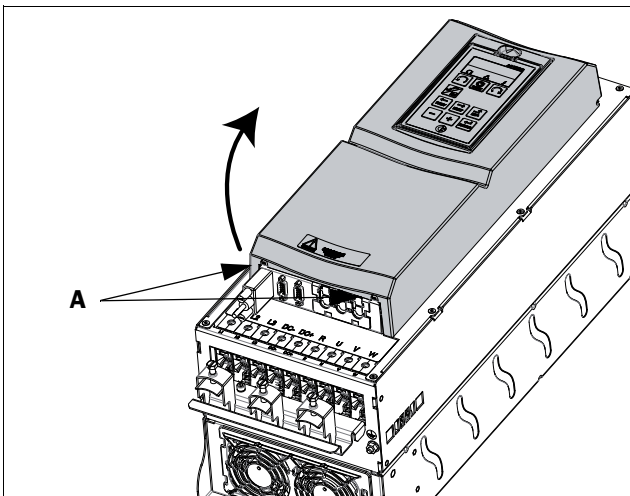


Fig. 24 Remove the front cover on frame size C2 - F2 (principle drawing).

To be able to access all cable connections and terminals, first open and remove the front cover in following order.

- Loosen the two screws A (see Fig. 24) at the bottom of the cover a couple of turns (you do not have to remove the screws).
- Swing out the lower part of the cover a bit and remove the cover downwards. Be careful, don't swing out the cover too much as this could damage the "lips" at the upper hinges. Now it is easy to access all terminals.

#### 3.1.2 Remove/open the lower front cover on Frame size E2 and F2 (IP20/21)

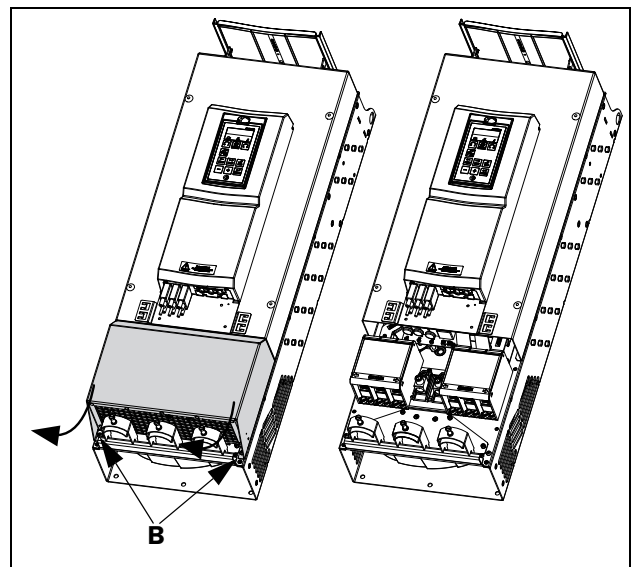


Fig. 25 Loosen the two screws and remove the lower cover (principle drawing)

In order to access the mains, motor, DC+/DC- and brake terminals, remove the lower cover in following order

- Loosen the two screws B (see Fig. 25).
- Pull down the cover a bit and lift it away.

## 3.2 Cable connections for smaller frame sizes

IP54-FDU48/52-003 to 074 (Frame sizes B, C and D)  
 IP20/21 - FDU48 025 to 244 (Frame sizes C2,D2,E2 and F2).

### 3.2.1 Mains cables

Dimension the mains and motor cables according to local regulations. The cable must be able to carry the AC drive load current.

### Recommendations for selecting mains cables

- To fulfil EMC purposes it is not necessary to use screened mains cables.
- Use heat-resistant cables, +60°C or higher.
- Dimension the cables and fuses in accordance with local regulations and the nominal current of the motor. See table 53, page 223.
- PE conductor cross-sectional area shall for cable size  $\leq 16\text{mm}^2$  be equal to the used phase conductors, for cable size above  $16\text{mm}^2$  but smaller or equal to  $35\text{mm}^2$  the PE conductor cross-sectional area shall be at least  $16\text{mm}^2$ . For cables  $>35\text{mm}^2$  the PE conductor cross-sectional area should be at least 50% of the used phase conductor.  
 When the PE conductor in the used cable type is not in accordance with the above mentioned cross-sectional area requirements, a separate PE conductor should be used to establish this.
- The litz ground connection see fig. 35, is only necessary if the mounting plate is painted. All the AC drives have an unpainted back side and are therefore suitable for mounting on an unpainted mounting plate.

Connect the mains cables according to fig. 26 to 32. The AC drive has as standard a built-in RFI mains filter that complies with category C3 which suits the Second Environment standard.

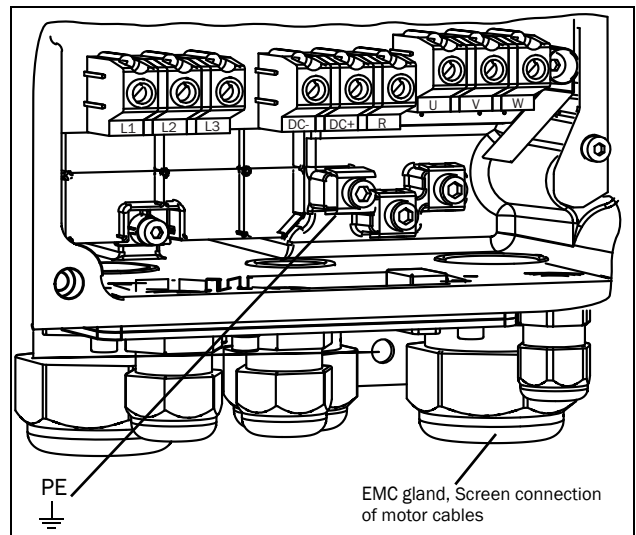


Fig. 26 Mains and motor connections, model 003-018, frame size B

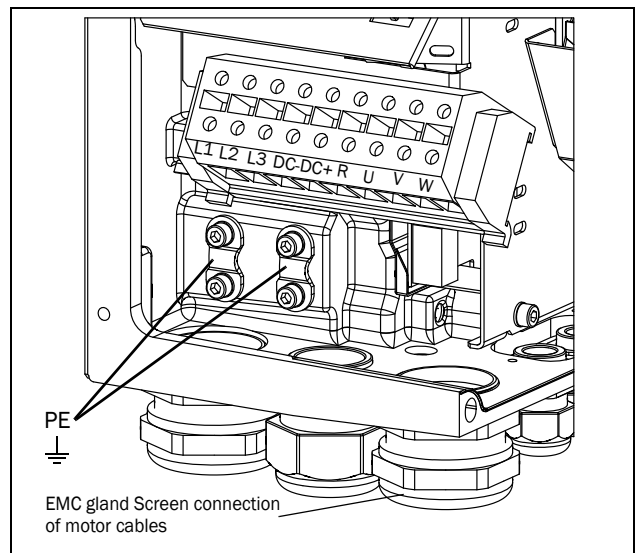


Fig. 27 Mains and motor connections, model 026-046, frame size C

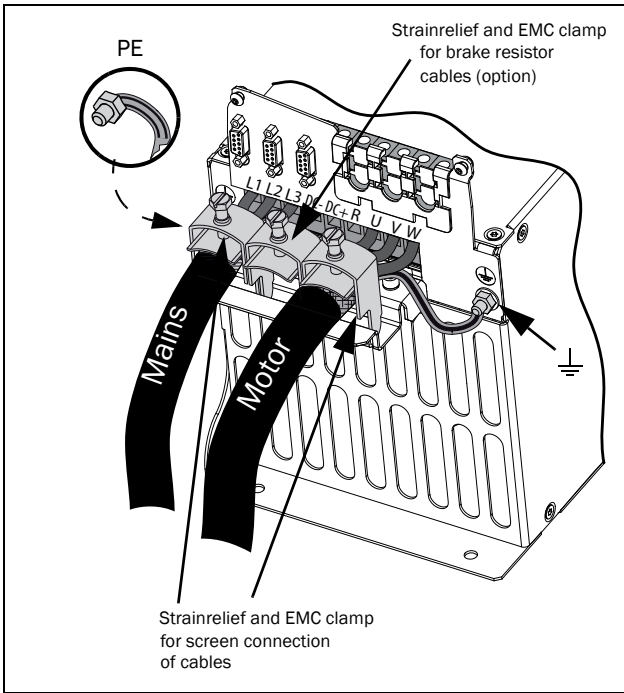


Fig. 28 Mains and motor connections model 48-026 to 48-046, frame size C2.

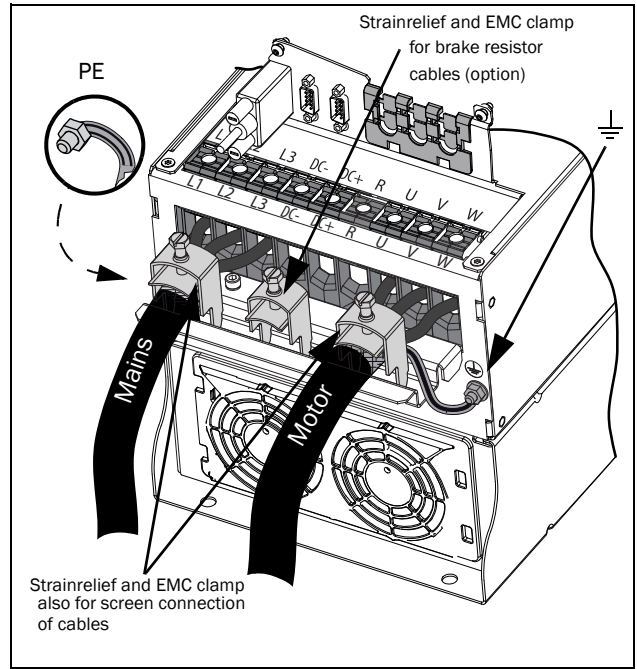


Fig. 30 Mains and motor connections model 48-060 to 48-088, frame size D2.

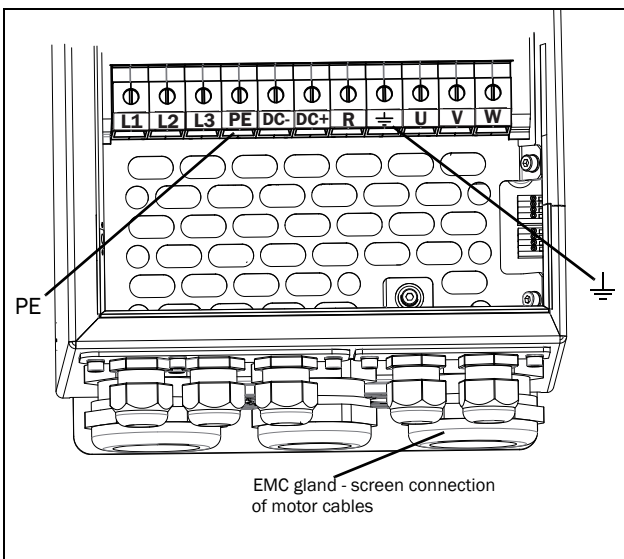


Fig. 29 Mains and motor connection, model 061 - 074, frame size D.

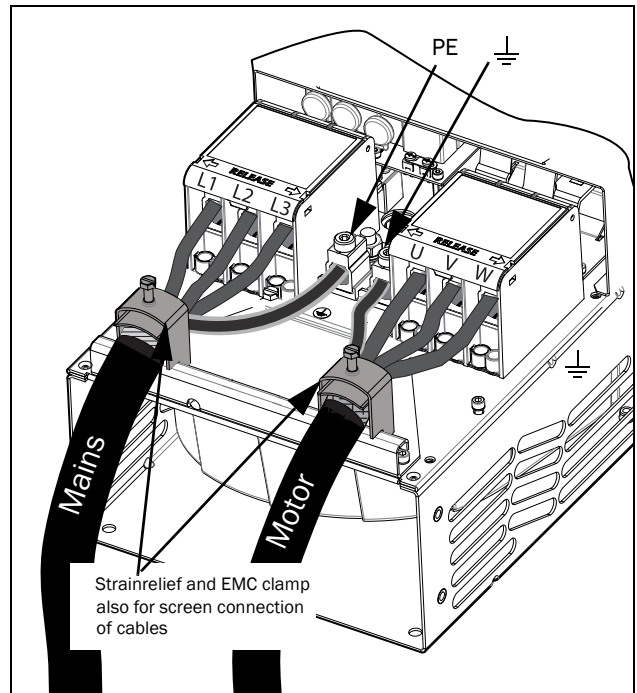


Fig. 31 Mains and motor connections model 48-106 to 48-244 (Size E2 and F2) (principle drawing).

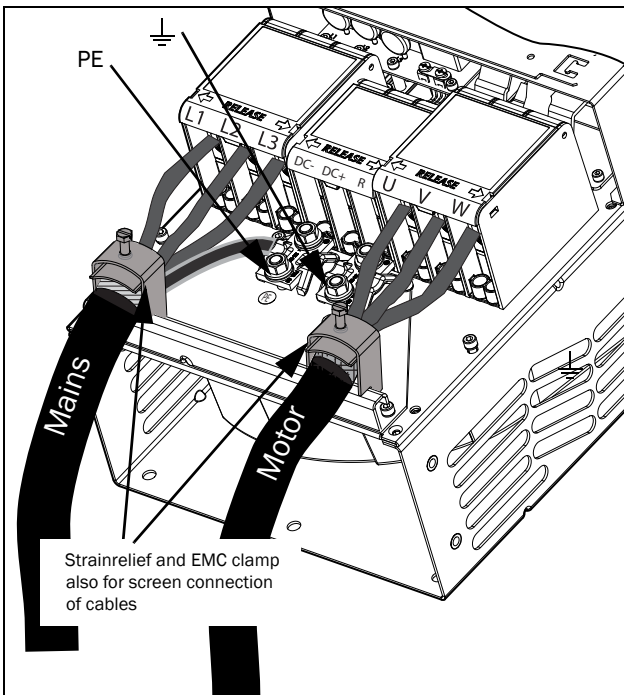


Fig. 32 Mains and motor connections model 48-106 to 48-244 (Size E2 and F2) with the optional terminals for DC-,DC+ and Brake (principle drawing)

Table 6 Mains and motor connections

L1,L2,L3 PE	Mains supply, 3 -phase Safety earth (protected earth)
 U, V, W	Motor earth Motor output, 3-phase
DC-,DC+,R	Brake resistor, DC-link connections (optional)

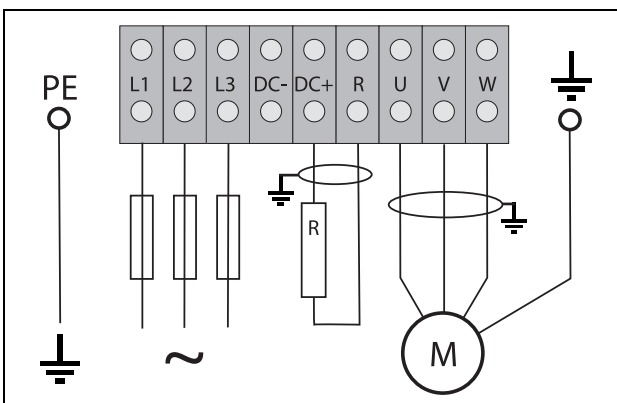


Fig. 33 Wiring example showing Protective earth, Motor earth and Brake Resistor connection

**NOTE: The Brake and DC-link Terminals are only fitted if the DC+/DC- option or Brake Chopper Option is built-in.**



**WARNING!**  
The Brake Resistor must be connected between terminals DC+ and R.



**WARNING!**  
In order to work safely, the mains earth must be connected to PE and the motor earth to .

### 3.2.2 Motor cables

To comply with the EMC emission standards the AC drive is provided with a RFI mains filter. The motor cables must also be screened and connected on both sides. In this way a so-called “Faraday cage” is created around the AC drive, motor cables and motor. The RFI currents are now fed back to their source (the IGBTs) so the system stays within the emission levels.

#### Recommendations for selecting motor cables

- Use screened cables according to specification in table 7. Use symmetrical shielded cable; three phase conductors and a concentric or otherwise symmetrically constructed PE conductor, and a shield.
  - PE conductor cross-sectional area shall for cable size  $\leq 16\text{mm}^2$  be equal to the used phase conductors, for cable size above  $16\text{mm}^2$  but smaller or equal to  $35\text{mm}^2$  the PE conductor cross-sectional area shall be at least  $16\text{mm}^2$ . For cables  $>35\text{mm}^2$  the PE conductor cross-sectional area should be at least 50% of the used phase conductor.
- When the PE conductor in the used cable type is not in accordance with the above mentioned cross-sectional area requirements, a separate PE conductor should be used to establish this.
- Use heat-resistant cables,  $+60^\circ\text{C}$  or higher.
  - Dimension the cables and fuses in accordance with the nominal output current of the motor. See table 53, page 223.
  - Keep the motor cable between AC drive and motor as short as possible.
  - The screening must be connected with a large contact surface of preferable  $360^\circ$  and always at both ends, to the motor housing and the AC drive housing. When painted mounting plates are used, do not be afraid to scrape away the paint to obtain as large contact surface as possible at all mounting points for items such as saddles and the bare cable screening. Relying just on the connection made by the screw thread is not sufficient.

**NOTE: It is important that the motor housing has the same earth potential as the other parts of the machine.**

- The litz ground connection, see fig. 35, is only necessary



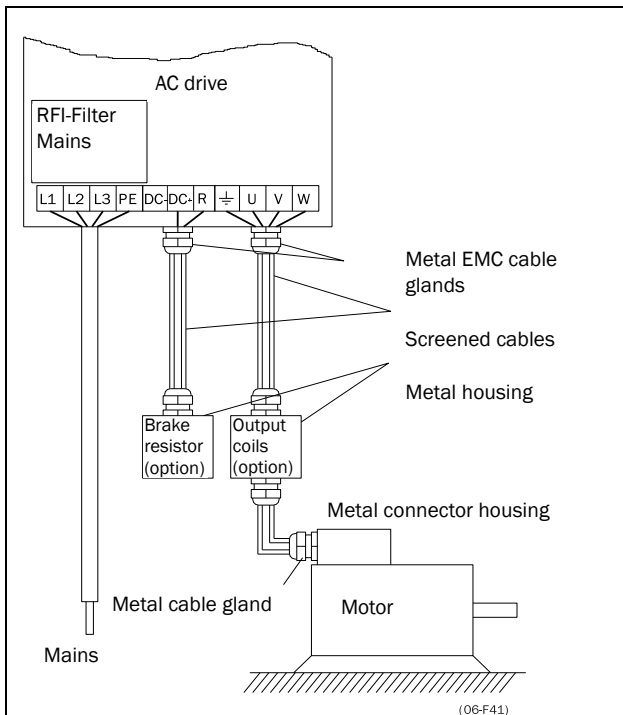


Fig. 36 AC drive as stand alone

### Connect motor cables

1. Remove the cable interface plate from the AC drive housing.
2. Put the cables through the glands.
3. Strip the cable according to Table 8.
4. Connect the stripped cables to the respective motor terminal.
5. Put the cable interface plate in place and secure with the fixing screws.
6. Tighten the EMC gland with good electrical contact to the motor and brake chopper cable screens.

### Placing of motor cables

Keep the motor cables as far away from other cables as possible, especially from control signals. The minimum distance between motor cables and control cables is 300 mm.

Avoid placing the motor cables in parallel with other cables.

The power cables should cross other cables at an angle of 90°.

### Long motor cables

If the connection to the motor is longer than 100 m (for powers below 7.5 kW please contact CG Drives & Automation), it is possible that capacitive current peaks will cause tripping at overcurrent. Using output coils can prevent this. Contact the supplier for appropriate coils.

### Switching in motor cables

Switching in the motor connections is not advisable. In the event that it cannot be avoided (e.g. emergency or maintenance switches) only switch if the current is zero. If this is not done, the AC drive can trip as a result of current peaks.

## 3.3 Connection of motor and mains cables for larger frame sizes

IP54 - FDU 48-090 to 250 (Frame sizes E - F) and  
FDU 69-090 to 200 (Frame size F69)

IP20 - FDU 48-300 and up (Frame sizes G and up) and  
FDU 69-250 and up (Framesizes H69 and up).

Emotron FDU48-090 and up, Emotron FDU69-090 and up

To simplify the connection of thick motor and mains cables to the AC drive, the cable interface plate can be removed.

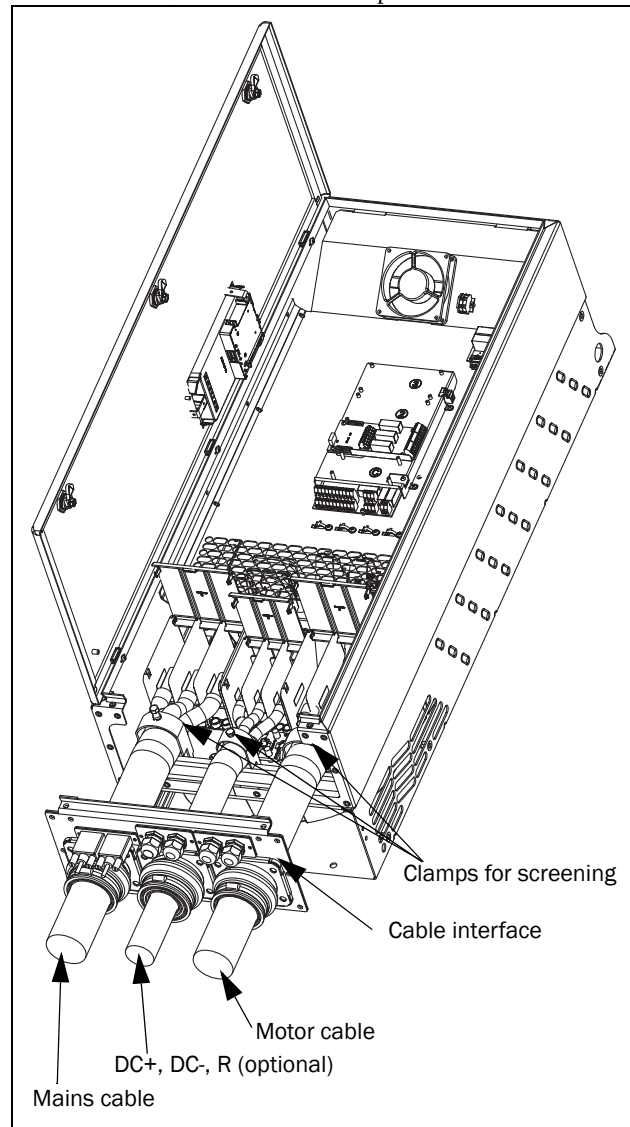


Fig. 37 Connecting motor and mains cables

1. Remove the cable interface plate from the AC drive housing.
2. Put the cables through the glands.
3. Strip the cable according to Table 8.
4. Connect the stripped cables to the respective mains/ motor terminal.



5. Fix the clamps on appropriate place and tighten the cable in the clamp with good electrical contact to the cable screen.
6. Put the cable interface plate in place and secure with the fixing screws.

#### AC drive model 48-300 & 69-250 and up

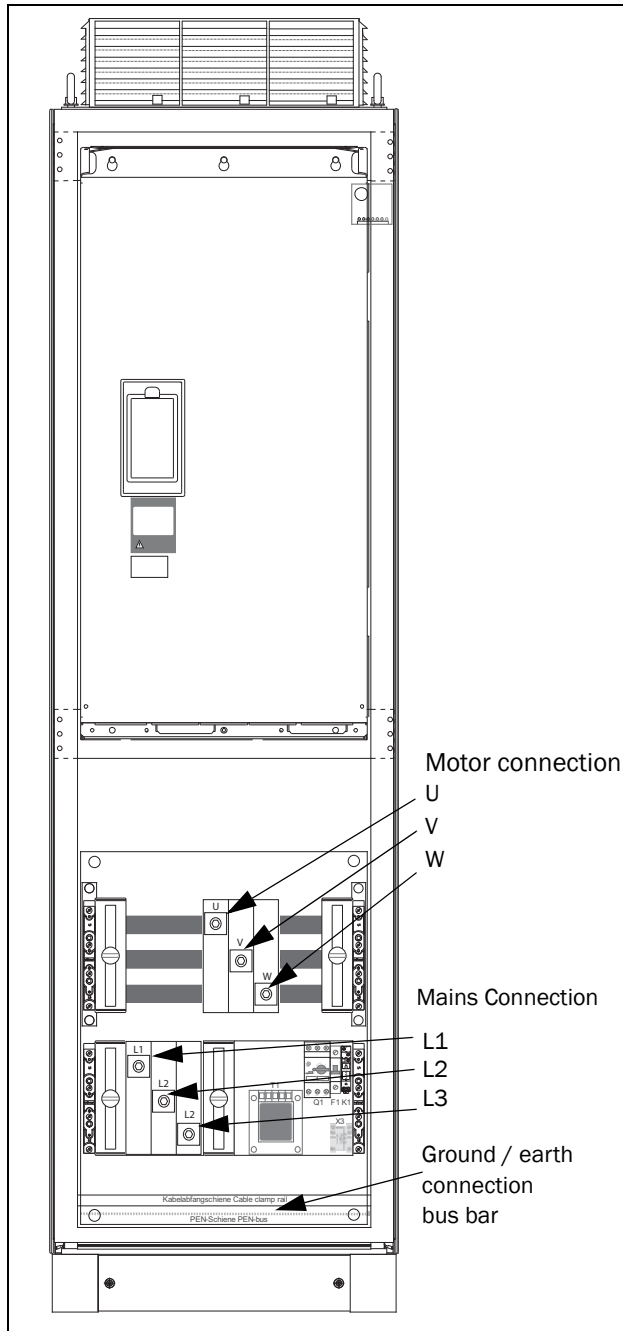


Fig. 38 Connect motor cables and mains cables to the terminals and earth/ground to the bus bar.

AC drive models 48-300 & 69-250 and up are supplied with power clamps for mains and motors. For connection of PE and earth there is a grounding bus bar.

For all type of wires to be connected the stripping length should be 32 mm.

### 3.3.1 Connection of mains and motor cables on IP20 modules

The Emotron IP 20 modules are delivered complete with factory mounted cables for mains and motor. The length of the cables are app. 1100 mm. The cables are marked L1, L2, L3 for mains connection and U, V, W for motor connection.

**NOTE: The IP20 modules are connected to PE/Ground via the mounting screws. Make sure that these will have good contact to the grounded mounting plate/ cabinet wall.**

For detailed information about use of the IP20 modules, please contact CG Drives & Automation.

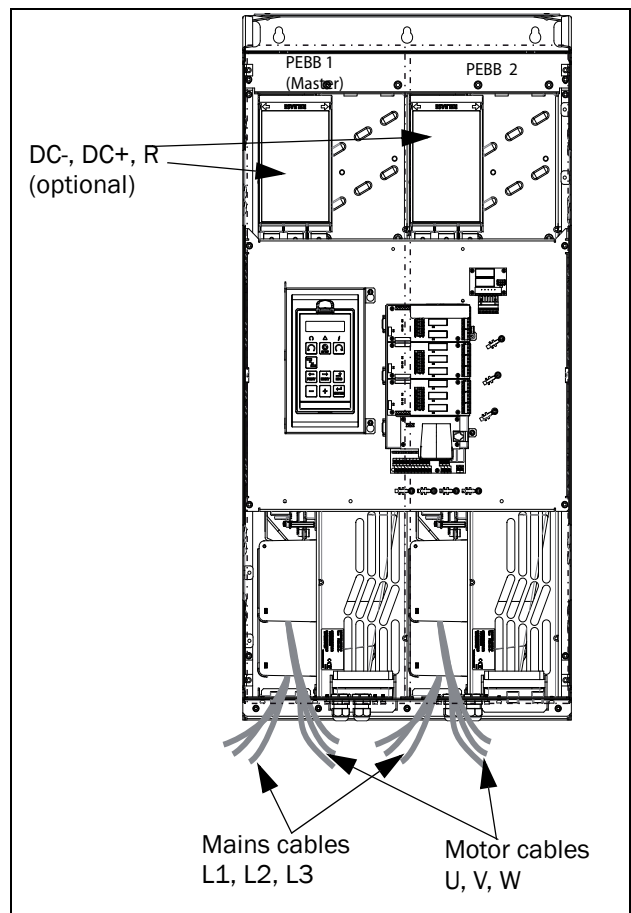


Fig. 39 IP20 module size G and H, with qty 2 x 3 mains cables and qty 2 x 3 motor cables.

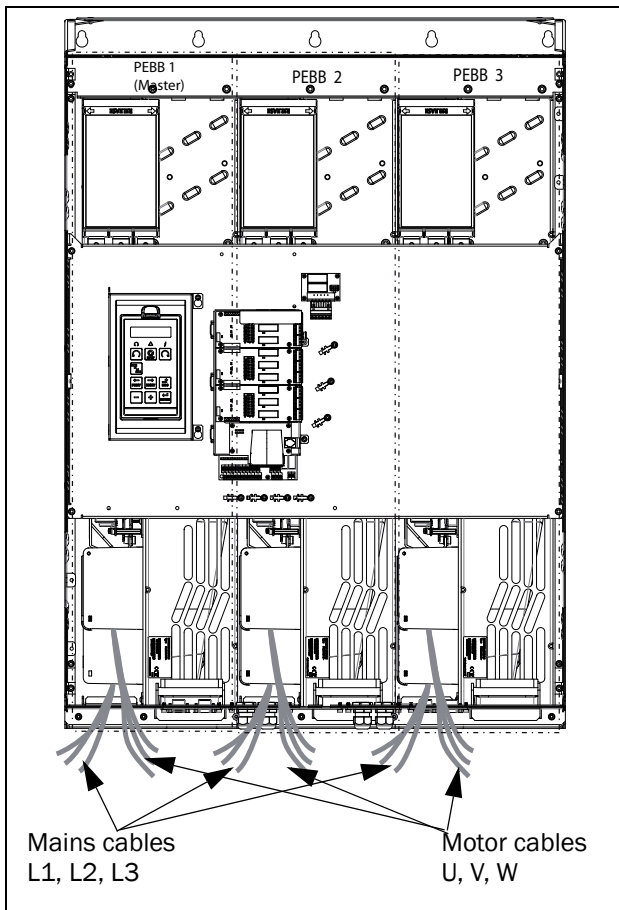


Fig. 40 IP20 module size III69 with qty 3 x 3 Mains cables and qty 3 x 3 motor cables.

### 3.4 Cable specifications

Table 7 Cable specifications

Cable	Cable specification
Mains	Power cable suitable for fixed installation for the voltage used.
Motor	Symmetrical three conductor cable with concentric protection (PE) wire or a four conductor cable with compact low-impedance concentric shield for the voltage used.
Control	Control cable with low-impedance shield, screened.

#### 3.4.1 Stripping lengths

Fig. 3.4.2 indicates the recommended stripping lengths for motor and mains cables.

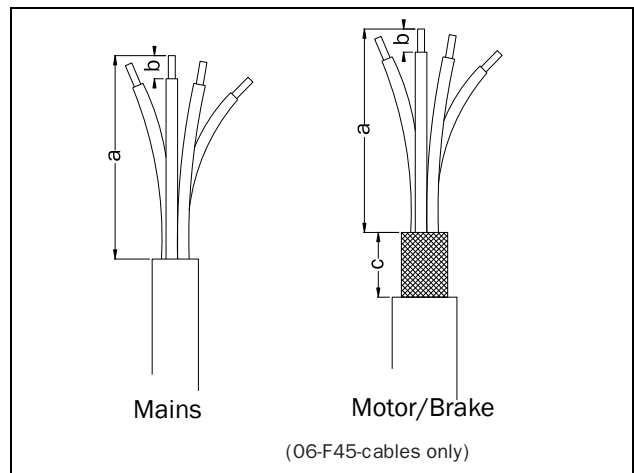


Fig. 41 Stripping lengths for cables

Table 8 Stripping lengths for mains, motor, brake and earth cables

Model	Frame size	Mains cable		Motor cable			Brake cable			Earth cable	
		a (mm)	b (mm)	a (mm)	b (mm)	c (mm)	a (mm)	b (mm)	c (mm)	a (mm)	b (mm)
FDU##003 - 018	B	90	10	90	10	20	90	10	20	90	10
FDU##026 - 046	C	150	14	150	14	20	150	14	20	150	14
FDU48-025 - 045	C2	65	18	65	18	36	65	18	36	65	M6 screw*
FDU##061 - 074	D	110	17	110	17	34	110	17	34	110	17
FDU48-060 - 088	D2	92	18	92	18	36	92	18	36	92	M6 screw*
FDU##090 - 175	E	173	25	173	25	41	173	25	41	173	25
FDU48-106 - 171	E2										40**
FDU48-205 - 244	F2	178	32	178	32	46	178	25	46	178	32
FDU48-210 - 250 FDU69-090 - 200	F										40**

\* With cable shoe for M6 screw

\*\*Valid when brake chopper electronics are built in

### 3.4.2 Fuse data

Please refer to the chapter Technical data, section 14.7, page 223.

### 3.4.3 Cable connection data for mains, motor and PE cables according to IEC ratings

**NOTE: The dimensions of the power terminals used in the cabinet drive models 300 to 3K0 can differ depending on customer specification.**

Table 9 Cable connector range and tightening torque for Emotron FDU48 and FDU52, according to IEC ratings.

Model	Cable cross section connector range						Cable type
	Mains and motor		Brake		PE		
	Cable area mm <sup>2</sup>	Tightening torque Nm	Cable area mm <sup>2</sup>	Tightening torque Nm	Cable area mm <sup>2</sup>	Tightening torque Nm	
FDU##-003	0.5 - 10	1.2-1.4	0.5 - 10	1.2-1.4	1.5 - 16	2.6	Copper (Cu) 75°C
FDU##-004							
FDU##-006							
FDU##-008							
FDU##-010							
FDU##-013							
FDU##-018							
FDU48-025	4 - 25	2	4 - 25	2	4 - 25 *	4.3	Copper (Cu) 60°C
FDU##-026	2.5-16 stranded 2.5-25 solid	1.2-1.4	2.5-16 stranded 2.5-25 solid	1.2-1.4	6-16 stranded 6-25 solid	1.2-1.4	Copper (Cu) 75°C
FDU48-030	4 - 25	2	4 - 25	2	4 - 25 *	4.3	Copper (Cu) 60°C
FDU##-031	2.5-16 stranded 2.5-25 solid	1.2-1.4	2.5-16 stranded 2.5-25 solid	1.2-1.4	6-16 stranded 6-25 solid	1.2-1.4	Copper (Cu) 75°C
FDU48-036	4 - 25	2	4 - 25	2	4 - 25 *	4.3	Copper (Cu) 60°C
FDU##-037	2.5-16 stranded 2.5-25 solid	1.2-1.4	2.5-16 stranded 2.5-25 solid	1.2-1.4	6-16 stranded 6-25 solid	1.2-1.4	Copper (Cu) 75°C
FDU48-045	4 - 25	2	4 - 25	2	4 - 25 *	4.3	Copper (Cu) 60°C
FDU##-046	2.5-16 stranded 2.5-25 solid	1.2-1.4	2.5-16 stranded 2.5-25 solid	1.2-1.4	6-16 stranded 6-25 solid	1.2-1.4	Copper (Cu) 75°C
FDU48-060	10 - 70	3	10 - 70	3	10 - 70*	4.3	
FDU##-061	10-35 stranded 10-50 solid	2.8-3	10-35 stranded 10-50 solid	2.8-3	16-35 stranded 16-50 solid	2.8-3	
FDU48-072	10 - 70	3	10 - 70	3	10 - 70*	4.3	
FDU##-074	10-35 stranded 10-50 solid	2.8-3	10-35 stranded 10-50 solid	2.8-3	16-35 stranded 16-50 solid	2.8-3	
FDU48-088	10 - 70	3	10 - 70	3	10 - 70*	4.3	

Table 9 Cable connector range and tightening torque for Emotron FDU48 and FDU52, according to IEC ratings.

Model	Cable cross section connector range						Cable type
	Mains and motor		Brake		PE		
	Cable area mm <sup>2</sup>	Tightening torque Nm	Cable area mm <sup>2</sup>	Tightening torque Nm	Cable area mm <sup>2</sup>	Tightening torque Nm	
FDU48-090	13- 150	31 (for 13-34 mm <sup>2</sup> )  42 (for 35-150 mm <sup>2</sup> )	13 - 125	31 (for 13-34 mm <sup>2</sup> )  42 (for 35-125 mm <sup>2</sup> )	13 - 150  16 - 70 **	31 (for 13-34 mm <sup>2</sup> )  42 (for 35-150 mm <sup>2</sup> )  10 **	Copper (Cu) 75 °C
FDU48-106							
FDU48-109							
FDU48-142							
FDU48-146							
FDU48-171							
FDU48-175							
FDU48-205	21 - 250	31 (for 21-34 mm <sup>2</sup> )  42 (for 35-152 mm <sup>2</sup> )  56 (for 153-250 mm <sup>2</sup> )	13 - 152	31 (for 13-34 mm <sup>2</sup> )  42 (for 35-152 mm <sup>2</sup> )	21 250  16 - 70 **	31 (for 21-34 mm <sup>2</sup> )  42 (for 35-152 mm <sup>2</sup> )  56 (for 153-250 mm <sup>2</sup> )  10 **	
FDU48-210							
FDU48-228							
FDU48-244							
FDU48-250							
FDU48-300	(2x) 35-240	24	(2x) 35-240	24	24	PE/Earth via mounting screws/ mounting frame. In order to secure proper earthing, always use all mounting screws and tighten them thoroughly.	
FDU48-375							
FDU48-430							
FDU48-500							
FDU48-600	(3x) 35-240	24	(3x) 35-240	24	24		
FDU48-650							
FDU48-750	3x 35 - 240	24	3x 35 - 240	24	24		
FDU48-860	4x35 - 240		4x35 - 240				
FDU48-1k0	4x35 - 240		4x35 - 240				
FDU48-1k15	5x35-240		5x35-240				
FDU48-1k25							
FDU48-1k35	6x35-240		6x35-240				
FDU48-1k5							
FDU48-1k75	7x35-240		7x35-240				
FDU48-2k0	8x35-240		8x35-240				
FDU48-2k25	9x35-240		9x35-240				

\* = With cable shoe for M6 screw.

\*\*= Valid when brake chopper electronics are built in.

Table 10 Cable connector range and tightening torque for Emotron FDU69, according to IEC ratings.

Model	Cable cross section connector range						Cable type
	Mains and motor		Brake		PE		
	Cable area mm <sup>2</sup>	Tightening torque Nm	Cable area mm <sup>2</sup>	Tightening torque Nm	Cable area mm <sup>2</sup>	Tightening torque Nm	
FDU69-090	13 - 125	31 (for 13 - 34 mm <sup>2</sup> ) 42 (for 35-125 mm <sup>2</sup> )	13 - 125	31 (for 13 - 34 mm <sup>2</sup> ) 42 (for 35-125 mm <sup>2</sup> )	13 - 125	31 (for 13 - 34 mm <sup>2</sup> ) 42 (for 35-125 mm <sup>2</sup> ) 10 **	Copper (Cu) 75 °C
FDU69-109							
FDU69-146							
FDU69-175	21 - 150	31 (for 13 - 34 mm <sup>2</sup> ) 42 (for 35-150 mm <sup>2</sup> )	21 - 150	16 - 70 **	31 (for 21-34 mm <sup>2</sup> ) 42 (for 35-150 mm <sup>2</sup> ) 10 **		
FDU69-200							
FDU69-250							
FDU69-300	(2x) 35-150	24	(2x) 35-150	24	PE/Earth via mounting screws/ mounting frame. In order to secure proper earthing, always use all mounting screws and tighten them thoroughly.		
FDU69-375							
FDU69-400							
FDU69-430	(3x) 35-150	24	(3x) 35-150	24	PE/Earth via mounting screws/ mounting frame. In order to secure proper earthing, always use all mounting screws and tighten them thoroughly.		
FDU69-500							
FDU69-595							
FDU69-650	(4x) 35-150	24	(4x) 35-150	24	PE/Earth via mounting screws/ mounting frame. In order to secure proper earthing, always use all mounting screws and tighten them thoroughly.		
FDU69-720							
FDU69-800							
FDU69-905	(5x) 35-150	24	(5x) 35-150	24	PE/Earth via mounting screws/ mounting frame. In order to secure proper earthing, always use all mounting screws and tighten them thoroughly.		
FDU69-995							
FDU69-1k2							
FDU69-1k4	(7x) 35-150	24	(7x) 35-150	24	PE/Earth via mounting screws/ mounting frame. In order to secure proper earthing, always use all mounting screws and tighten them thoroughly.		
FDU69-1k6							
FDU69-1k8							
FDU69-2k0	(10x) 35-150	24	(10x) 35-150	24	PE/Earth via mounting screws/ mounting frame. In order to secure proper earthing, always use all mounting screws and tighten them thoroughly.		
FDU69-2k2							
FDU69-2k4							
FDU69-2k6	(13x) 35-150	24	(13x) 35-150	24	PE/Earth via mounting screws/ mounting frame. In order to secure proper earthing, always use all mounting screws and tighten them thoroughly.		
FDU69-2k8							
FDU69-3k0							
FDU69-3k0	(15x) 35-150	24	(15x) 35-150	24	PE/Earth via mounting screws/ mounting frame. In order to secure proper earthing, always use all mounting screws and tighten them thoroughly.		

\*\*= Valid when brake chopper electronics are built in.

### 3.4.4 Cable connection data for mains, motor and PE cables according to NEMA ratings

List of cable cross section connector range with minimum required AWG cable cross section which fits to the terminals according to UL-requirements.

Table 11 Cable connector range and tightening torque for Emotron FDU48 and FDU52, according to NEMA ratings

Model	Cable cross section connector range						Cable type	
	Mains and motor		Brake		PE			
	Cable range AWG	Tightening torque Nm/Lb-In	Cable range AWG	Tightening torque Nm/Lb-In	Cable range AWG	Tightening torque Nm/Lb-In		
FDU##-003	20 - 6	1.2-1.4/11.5	20 - 6	1.2-1.4/11.5	20 - 6	2.6/23	Copper (Cu) 75 °C	
FDU##-004			20 - 6		20 - 6			
FDU##-006	16 - 6		16 - 6		16 - 6			16 - 6
FDU##-008			16 - 6		16 - 6			16 - 6
FDU##-010			14 - 6		14 - 6			14 - 6
FDU##-013			12 - 6		12 - 6			12 - 6
FDU##-018			10 - 6		10 - 6			10 - 6
FDU48-025	12 - 4	2/18	12 - 4	2/18	12 - 4*	4.3/38	Copper (Cu) 60 °C	
FDU##-026	18 - 4	1.2-1.4/ 10.6-12.3	18 - 4	1.2-1.4/ 10.6-12.3	18 - 4	1.2-1.4/ 10.6-12.3	Copper (Cu) 75 °C	
FDU48-030	12 - 4	2/18	12 - 4	2/18	12 - 4*	4.3/38	Copper (Cu) 60 °C	
FDU##-031	18 - 4	1.2-1.4/ 10.6-12.3	18 - 4	1.2-1.4/ 10.6-12.3	18 - 4	1.2-1.4/ 10.6-12.3	Copper (Cu) 75 °C	
FDU48-036	12 - 4	2/18	12 - 4	2/18	12 - 4*	4.3/38	Copper (Cu) 60 °C	
FDU##-037	18 - 4	1.2-1.4/ 10.6-12.3	18 - 4	1.2-1.4/ 10.6-12.3	18 - 4	1.2-1.4/ 10.6-12.3	Copper (Cu) 75 °C	
FDU48-045	12 - 4	2/18	12 - 4	2/18	12 - 4*	4.3/38	Copper (Cu) 60 °C	
FDU##-046	18 - 4	1.2-1.4/ 10.6-12.3	18 - 4	1.2-1.4/ 10.6-12.3	18 - 4	1.2-1.4/ 10.6-12.3	Copper (Cu) 75 °C	
FDU48-060	8 - 2/0	3/27	8 - 2/0	3/27	8 - 2/0*	4.3/38		
FDU##-061	10 - 0	2.8-3/ 24.3-26.1	10 - 0	2.8-3/ 24.3-26.1	10 - 0	2.8-3/ 24.3-26.1		
FDU48-072	8 - 2/0	3/27	8 - 2/0	3/27	8 - 2/0*	4.3/38		
FDU##-074	10 - 0	2.8-3/ 24.3-26.1	10 - 0	2.8-3/ 24.3-26.1	10 - 0	2.8-3/ 24.3-26.1		
FDU48-088	8 - 2/0	3/27	8 - 2/0	3/27	8 - 2/0*	4.3/38		
FDU48-090	6 - 300 kcmil	31/275 (for AWG 6 - 2)  42/375 (for AWG 1 -300Kcmil)	6 - 300 kcmil	31/275 (for AWG 6 - 2)  42/375 (for AWG 1 -300Kcmil)	6 - 250 kcmil   6 - 2/0**	31/275 (for AWG 6-2)		
FDU48-106						42/375 (for AWG 1-250Kcmil)		
FDU48-109								
FDU48-142								
FDU48-146								
FDU48-171								
FDU48-175						10/88**		

Table 11 Cable connector range and tightening torque for Emotron FDU48 and FDU52, according to NEMA ratings

Model	Cable cross section connector range						Cable type
	Mains and motor		Brake		PE		
	Cable range AWG	Tightening torque Nm/Lb-In	Cable range AWG	Tightening torque Nm/Lb-In	Cable range AWG	Tightening torque Nm/Lb-In	
FDU48-205	4 - 500 kcmil	31/275 (for AWG 4 - 2)  42/375 (for AWG 1 -300 kcmil)  56/500 (for AWG 350 -500 kcmil)	6 - 300 kcmil	31/275 (for AWG 6 - 2)  42/375 (for AWG 1 -300Kcmil)	4 - 500 kcmil	31/275 (for AWG 4 - 2)  42/375 (for AWG 1 -300 kcmil)	Copper (Cu) 75 °C
FDU48-210							
FDU48-228							
FDU48-244							
FDU48-250							
FDU48-300	2 x 3/0 - 2 x 300 kcmil	24/212	2 x 3/0 - 2 x 300 kcmil	24/212	PE/Earth via mounting screws/ mounting frame. In order to secure proper earthing, always use all mounting screws and tighten them thoroughly.		
FDU48-375	2 x 250 kcmil - 2 x 300 kcmil		2 x 250 kcmil - 2 x 300 kcmil				
FDU48-430	2 x 300 kcmil		2 x 300 kcmil				
FDU48-500	2 x 400 kcmil		2 x 400 kcmil				
FDU48-600	3x 300 kcmil		3x 300 kcmil				
FDU48-650							
FDU48-750	3x 400 kcmil		3x 400 kcmil				
FDU48-860	4 x 300 kcmil		4 x 300 kcmil				
FDU48-1k0	4 x 400 kcmil		4 x 400 kcmil				
FDU48-1k15	5 x 400 kcmil		5 x 400 kcmil				
FDU48-1k25							
FDU48-1k35	6 x 400 kcmil		6 x 400 kcmil				
FDU48-1k5							
FDU48-1k75						7 x 400 kcmil	
FDU48-2k0	8 x 400 kcmil		8 x 400 kcmil				
FDU48-2k25	9 x 400 kcmil		9 x 400 kcmil				

\* = With cable shoe for M6 screw.

\*\*= Valid when brake chopper electronics are built in.



### 3.5 Thermal protection on the motor

Standard motors are normally fitted with an internal fan. The cooling capacity of this built-in fan is dependent on the frequency of the motor. At low frequency, the cooling capacity will be insufficient for nominal loads. Please contact the motor supplier for the cooling characteristics of the motor at lower frequency.



**WARNING!**

**Depending on the cooling characteristics of the motor, the application, the speed and the load, it may be necessary to use forced cooling on the motor.**

Motor thermistors offer better thermal protection for the motor. Depending on the type of motor thermistor fitted, the optional PTC input may be used. The motor thermistor gives a thermal protection independent of the speed of the motor, thus of the speed of the motor fan. See the functions, Motor  $I^2t$  type [231] and Motor  $I^2t$  current [232].

### 3.6 Motors in parallel

It is possible to have motors in parallel as long as the total current does not exceed the nominal value of the AC drive. The following has to be taken into account when setting the motor data:

Menu [221] Motor Voltage:	The motors in parallel must have the same motor voltage.
Menu [222] Motor Frequency:	The motors in parallel must have the same motor frequency.
Menu [223] Motor Power:	Add the motor power values for the motors in parallel.
Menu [224] Motor Current:	Add the current for the motors in parallel.
Menu [225] Motor Speed:	Set the average speed for the motors in parallel.
Menu [227] Motor Cos PHI:	Set the average Cos PHI value for the motors in parallel.



## 4. Control Connections

### 4.1 Control board

Fig. 42 shows the layout of the control board which is where the parts most important to the user are located. Although the control board is galvanically isolated from the mains, for safety reasons do not make changes while the mains supply is on!



**WARNING!**  
**Always switch off the mains voltage and wait at least 7 minutes to allow the DC capacitors to discharge before connecting the control signals or changing position of any switches. If the option External supply is used, switch of the mains to the option. This is done to prevent damage on the control board.**

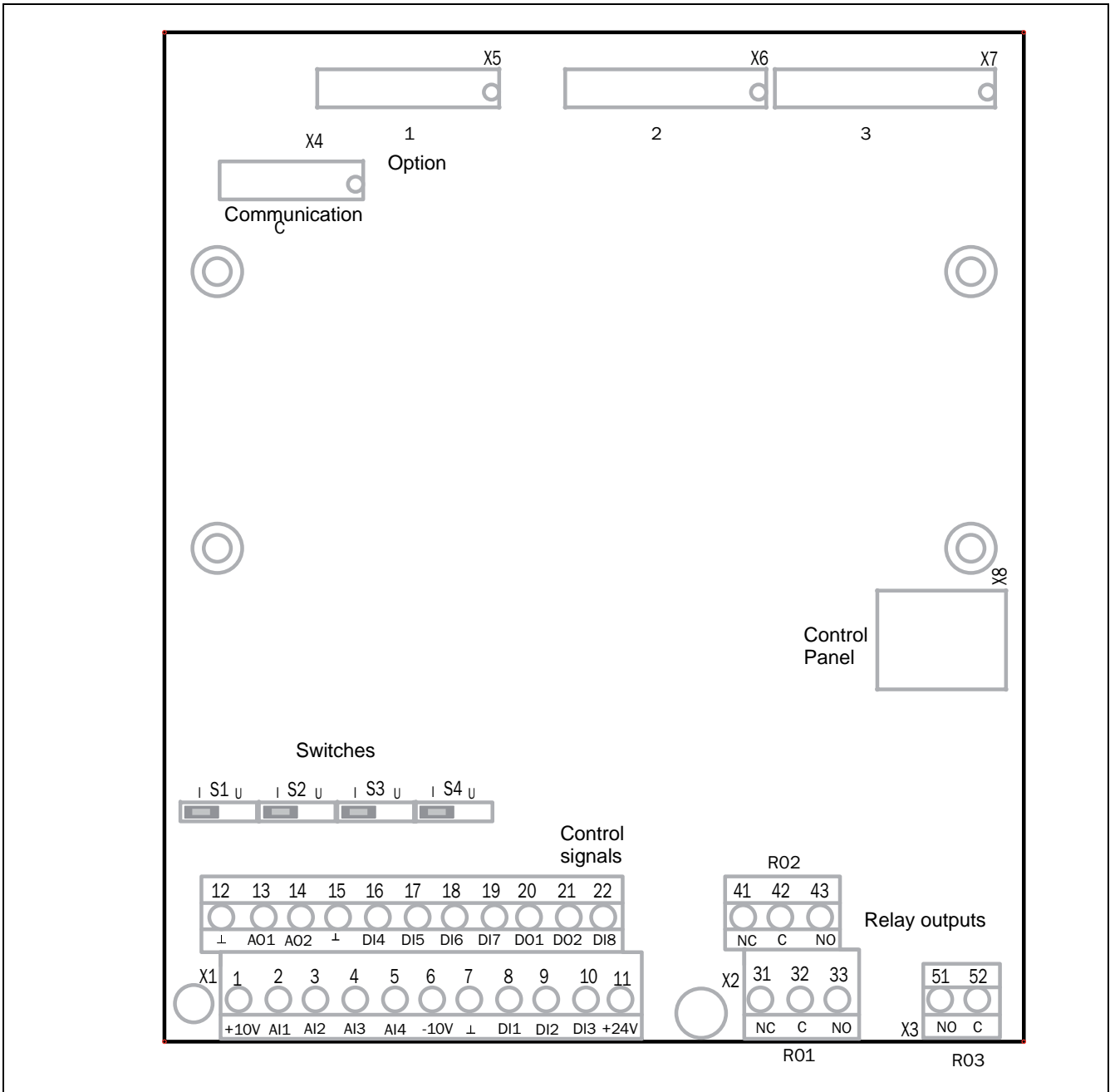


Fig. 42 Control board layout

## 4.2 Terminal connections

The terminal strip for connecting the control signals is accessible after opening the front panel.

The table describes the default functions for the signals. The inputs and outputs are programmable for other functions as described in chapter 11, page 81. For signal specifications refer to chapter 14, page 211.

---

**NOTE: The maximum total combined current for outputs 11, 20 and 21 is 100mA.**

---



---

**NOTE: It is possible to use external 24V DC if connection to Common (15).**

---

Table 12 Control signals

Terminal	Name	Function (Default)
<b>Outputs</b>		
1	+10 V	+10 VDC supply voltage
6	-10 V	-10 VDC supply voltage
7	Common	Signal ground
11	+24 V	+24 VDC supply voltage
12	Common	Signal ground
15	Common	Signal ground
<b>Digital inputs</b>		
8	DigIn 1	RunL (reverse)
9	DigIn 2	RunR (forward)
10	DigIn 3	Off
16	DigIn 4	Off
17	DigIn 5	Off
18	DigIn 6	Off
19	DigIn 7	Off
22	DigIn 8	RESET
<b>Digital outputs</b>		
20	DigOut 1	Ready
21	DigOut 2	No trip
<b>Analogue inputs</b>		
2	AnIn 1	Process Ref
3	AnIn 2	Off
4	AnIn 3	Off
5	AnIn 4	Off
<b>Analogue outputs</b>		
13	AnOut 1	Min speed to max speed
14	AnOut 2	0 to max torque

Table 12 Control signals

Terminal	Name	Function (Default)
<b>Relay outputs</b>		
31	N/C 1	Relay 1 output Trip, active when the AC drive is in a TRIP condition.
32	COM 1	
33	N/O 1	
41	N/C 2	Relay 2 output Run, active when the AC drive is started.
42	COM 2	
43	N/O 2	
51	COM 3	Relay 3 output Off
52	N/O 3	

---

**NOTE: N/C is opened when the relay is active and N/O is closed when the relay is active.**

---



---









**NOTE! Using potentiometer for reference signal to Analogue input: Possible potentiometer value in range of 1 kΩ to 10 kΩ (¼ Watt) linear, where we advice to use a linear 1 kΩ / ¼ W type potentiometer for best control linearity.**

---

### 4.3 Inputs configuration with the switches

The switches S1 to S4 are used to set the input configuration for the 4 analogue inputs AnIn1, AnIn2, AnIn3 and AnIn4 as described in table 13. See Fig. 42 for the location of the switches.

Table 13 Switch settings

Input	Signal type	Switch
AnIn1	Voltage	S1 
	Current (default)	S1 
AnIn2	Voltage	S2 
	Current (default)	S2 
AnIn3	Voltage	S3 
	Current (default)	S3 
AnIn4	Voltage	S4 
	Current (default)	S4 

---

**NOTE: Scaling and offset of AnIn1 - AnIn4 can be configured using the software. See menus [512], [515], [518] and [51B] in section 11.5, page 148.**

---



---

**NOTE: the 2 analogue outputs AnOut 1 and AnOut 2 can be configured using the software. See menu [530] section 11.5.3, page 157**

---

## 4.4 Connection example

Fig. 43 gives an overall view of a AC drive connection example.

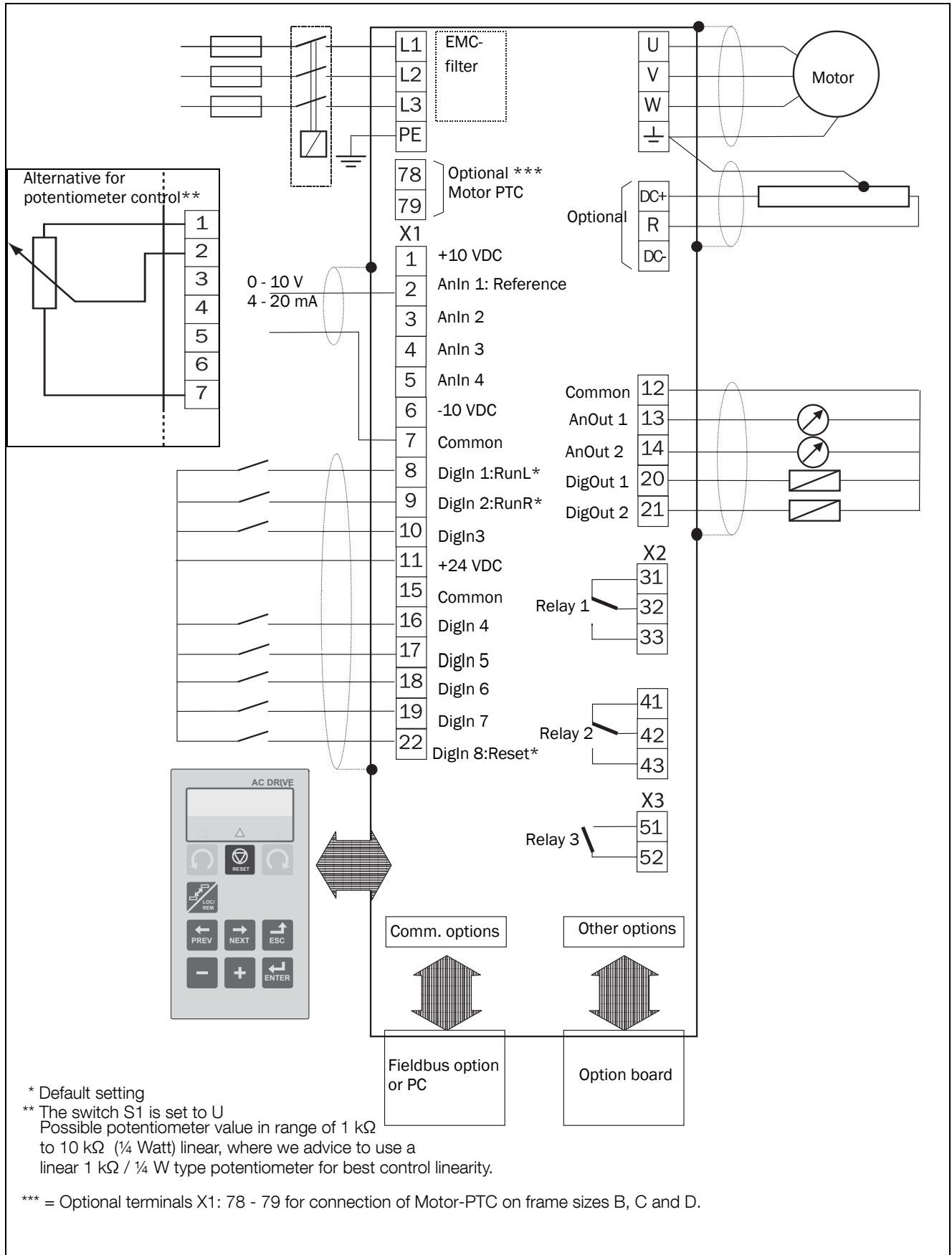


Fig. 43 Connection example

## 4.5 Connecting the Control Signals

### 4.5.1 Cables

The standard control signal connections are suitable for stranded flexible wire up to 1.5 mm<sup>2</sup> and for solid wire up to 2.5 mm<sup>2</sup> ..

**NOTE: The screening of control signal cables must comply with the immunity levels given in the EMC Directive (reduction of noise level).**

**NOTE: The control cables must be separated from motor and mains cables.**

Table 14 Description of optional terminals in fig. 44 to fig. 48.

<b>Terminals 78, 79</b>	For connection of Motor PTC
<b>Terminals A-, B+</b>	For connection of 24V Stand-by Supply (only valid for sizes D & D2)

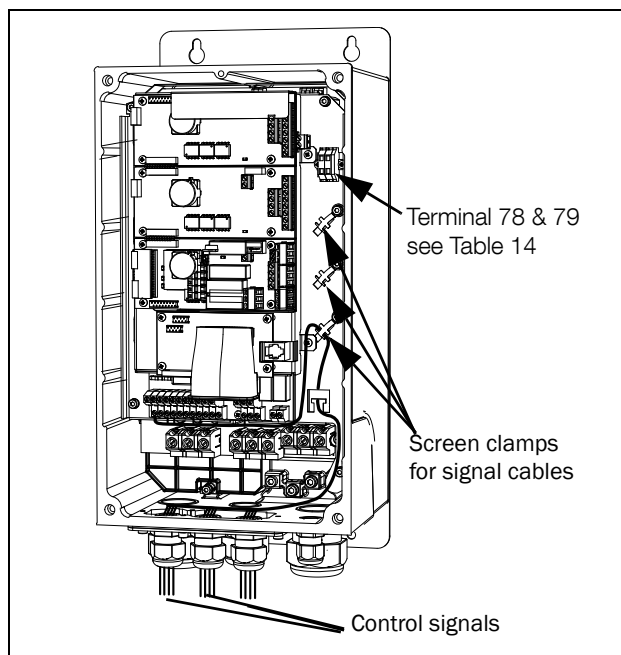


Fig. 44 Connecting the control signals, I/FDU model 003 to 018, frame size B.

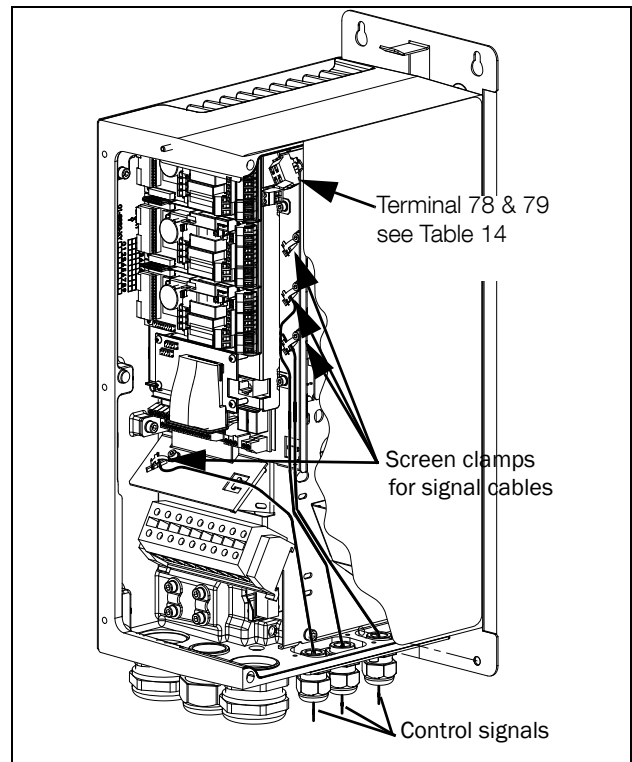


Fig. 45 Connecting the control signals, I/FDU model 026 to 046, frame size C.

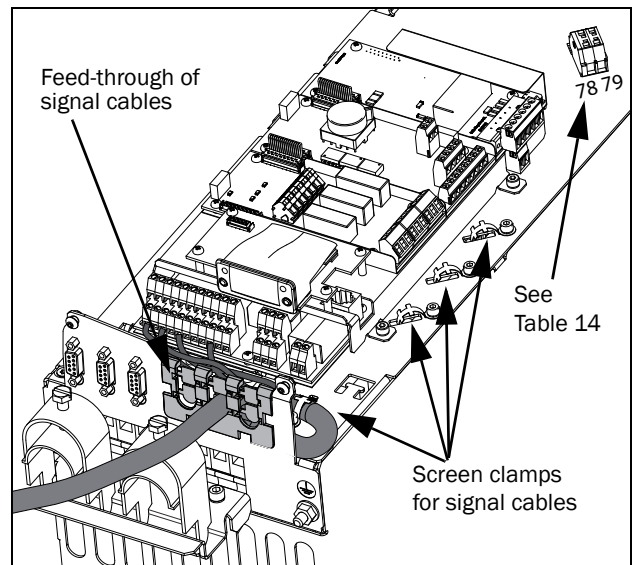


Fig. 46 Connecting the control signals, I/FDU model 48-025 to 48-045 frame size C2.

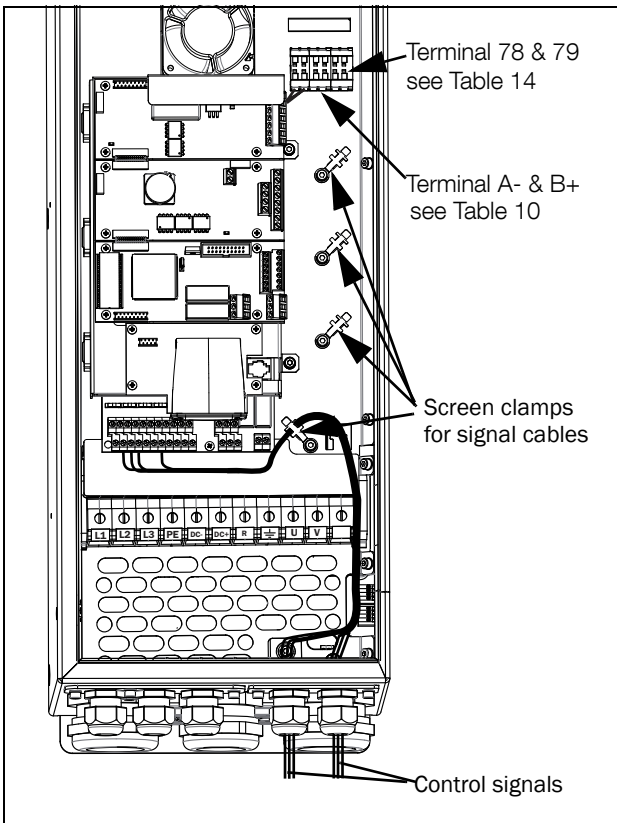


Fig. 47 Connecting the control signals, I/FDU model 061 to 074, frame size D.

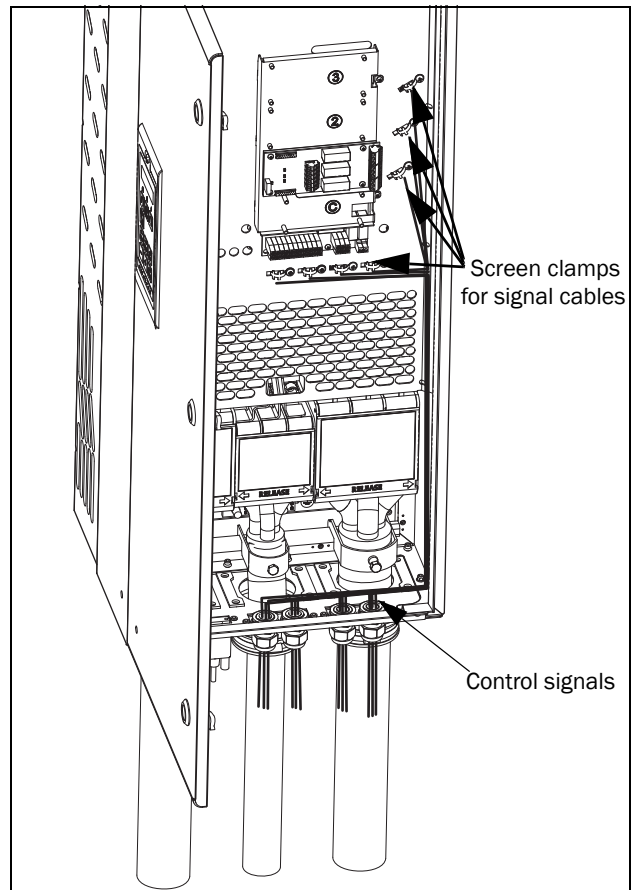


Fig. 49 Connecting the control signals, I/FDU model 48-090 to 250 and I/FDU model 69-90 to 200, frame size E, F and F69 (principle drawing).

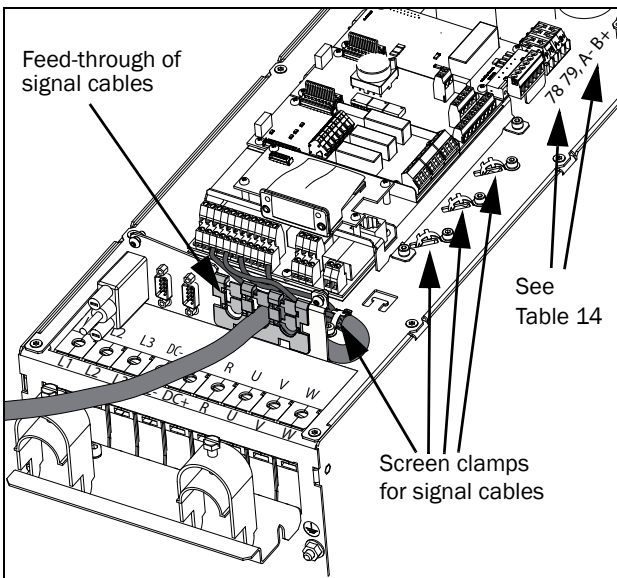


Fig. 48 Connecting the control signals, I/FDU model 48-060 to 48-088 frame size D2.

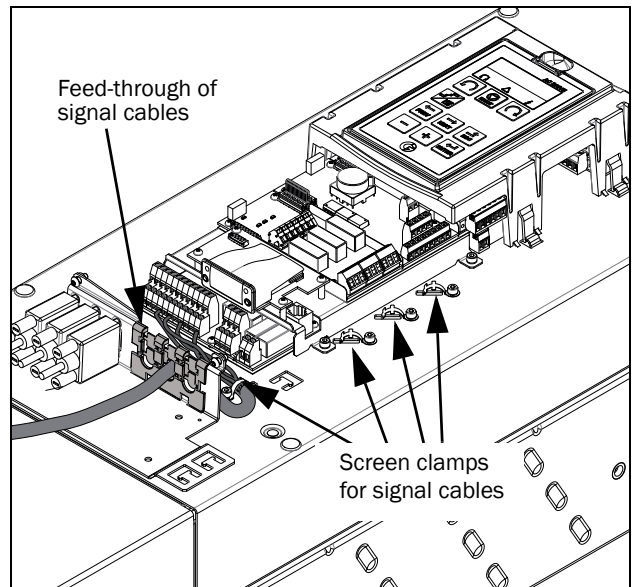


Fig. 50 Connecting the control signals, I/FDU model 48-106 to 48-244 frame size E2 and F2 (principle drawing)



---

**NOTE: The screening of control signal cables is necessary to comply with the immunity levels given in the EMC Directive (it reduces the noise level).**

---

**NOTE: Control cables must be separated from motor and mains cables.**

---

## 4.5.2 Types of control signals

Always make a distinction between the different types of signals. Because the different types of signals can adversely affect each other, use a separate cable for each type. This is often more practical because, for example, the cable from a pressure sensor may be connected directly to the AC drive.

We can distinguish between the following types of control signals:

### Analogue inputs

Voltage or current signals, (0-10 V, 0/4-20 mA) normally used as control signals for speed, torque and PID feedback signals.

### Analogue outputs

Voltage or current signals, (0-10 V, 0/4-20 mA) which change slowly or only occasionally in value. In general, these are control or measurement signals.

### Digital

Voltage or current signals (0-10 V, 0-24 V, 0/4-20 mA) which can have only two values (high or low) and only occasionally change in value.

### Data

Usually voltage signals (0-5 V, 0-10 V) which change rapidly and at a high frequency, generally data signals such as RS232, RS485, Profibus, etc.

### Relay

Relay contacts (0-250 VAC) can switch highly inductive loads (auxiliary relay, lamp, valve, brake, etc.).

Signal type	Maximum wire size	Tightening torque	Cable type
Analogue	Rigid cable: 0.14-2.5 mm <sup>2</sup>	0.5 Nm	Screened
Digital	Flexible cable: 0.14-1.5 mm <sup>2</sup>		Screened
Data	Cable with ferrule: 0.25-1.5 mm <sup>2</sup>		Screened
Relay			Not screened

### Example:

The relay output from a AC drive which controls an auxiliary relay can, at the moment of switching, form a source of interference (emission) for a measurement signal from, for example, a pressure sensor. Therefore it is advised to separate wiring and screening to reduce disturbances.

## 4.5.3 Screening

For all signal cables the best results are obtained if the screening is connected to both ends: the AC drive side and at the source (e.g. PLC, or computer). See Fig. 51.

It is strongly recommended that the signal cables be allowed to cross mains and motor cables at a 90° angle. Do not let the signal cable go in parallel with the mains and motor cable.

## 4.5.4 Single-ended or double-ended connection?

In principle, the same measures applied to motor cables must be applied to all control signal cables, in accordance with the EMC-Directives.

For all signal cables as mentioned in section 4.5.2 the best results are obtained if the screening is connected to both ends. See Fig. 51.

---

**NOTE: Each installation must be examined carefully before applying the proper EMC measurements.**

---

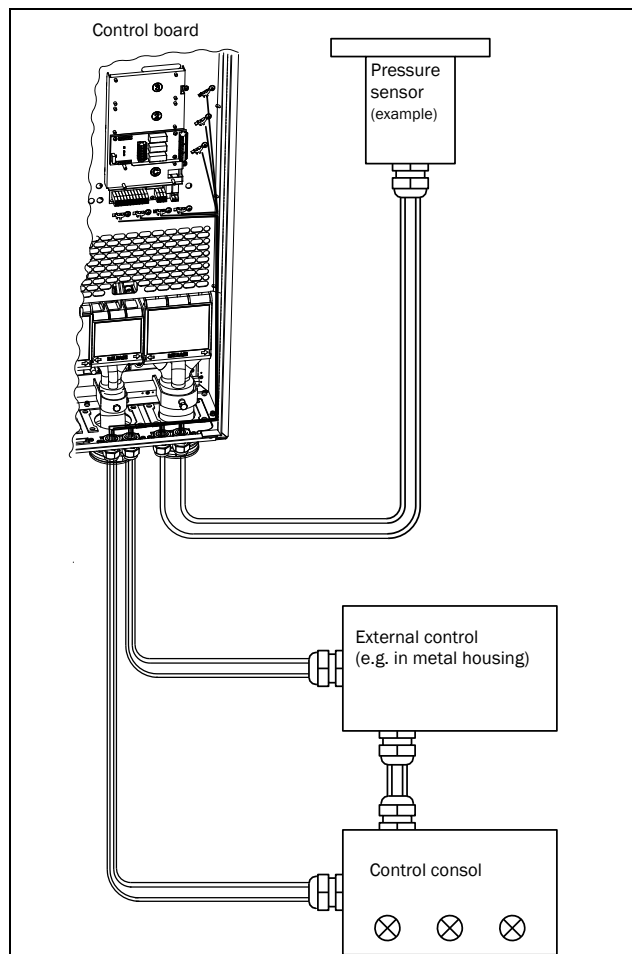


Fig. 51 Electro Magnetic (EM) screening of control signal cables.

### 4.5.5 Current signals ((0)4-20 mA)

A current signal like (0)4-20 mA is less sensitive to disturbances than a 0-10 V signal, because it is connected to an input which has a lower impedance ( $250 \Omega$ ) than a voltage signal ( $20 \text{ k}\Omega$ ). It is therefore strongly advised to use current control signals if the cables are longer than a few metres.

### 4.5.6 Twisted cables

Analogue and digital signals are less sensitive to interference if the cables carrying them are “twisted”. This is certainly to be recommended if screening cannot be used. By twisting the wires the exposed areas are minimised. This means that in the current circuit for any possible High Frequency (HF) interference fields, no voltage can be induced. For a PLC it is therefore important that the return wire remains in proximity to the signal wire. It is important that the pair of wires is fully twisted over  $360^\circ$ .

## 4.6 Connecting options

The option cards are connected by the optional connectors X4 or X5 on the control board see Fig. 42, page 39 and mounted above the control board. The inputs and outputs of the option cards are connected in the same way as other control signals.

## 5. Getting Started

This chapter is a step by step guide that will show you the quickest way to get the motor shaft turning. We will show you two examples, remote control and local control.

We assume that the AC drive is mounted on a wall or in a cabinet as in the chapter 2. page 13.

First there is general information of how to connect mains, motor and control cables. The next section describes how to use the function keys on the control panel. The subsequent examples covering remote control and local control describe how to program/set the motor data and run the AC drive and motor.

### 5.1 Connect the mains and motor cables

Dimension the mains and motor cables according to local regulations. The cable must be able to carry the AC drive load current.

#### 5.1.1 Mains cables

1. Connect the mains cables as in Fig. 52. The AC drive has, as standard, a built-in RFI mains filter that complies with category C3 which suits the Second Environment standard.

#### 5.1.2 Motor cables

2. Connect the motor cables as in Fig. 52. To comply with the EMC Directive you have to use screened cables and the motor cable screen has to be connected on both sides: to the housing of the motor and the housing of the AC drive.

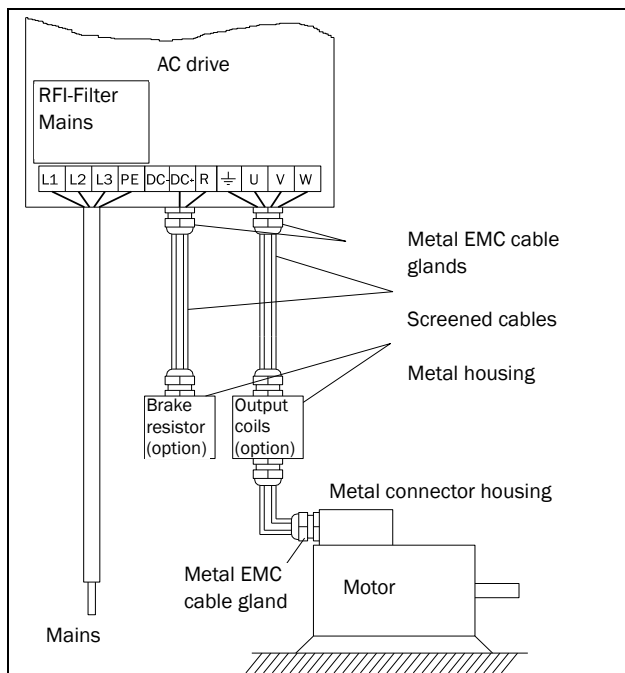


Fig. 52 Connection of mains and motor cables

Table 15 Mains and motor connection

L1,L2,L3 PE	Mains supply, 3-phase Safety earth
$\perp$ U, V, W	Motor earth Motor output, 3-phase



#### WARNING!

In order to work safely the mains earth must be connected to PE and the motor earth to



### 5.2 Using the function keys

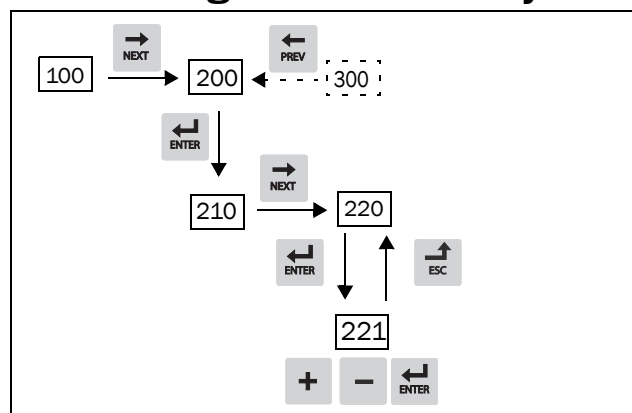








Fig. 53 Example of menu navigation when entering motor voltage

-  step to lower menu level or confirm changed setting
-  step to higher menu level or ignore changed setting
-  step to next menu on the same level
-  step to previous menu on the same level
-  increase value or change selection
-  decrease value or change selection

## 5.3 Remote control

In this example external signals are used to control the AC drive/motor.

A standard 4-pole motor for 400 V, an external start button and a reference value will also be used.

### 5.3.1 Connect control cables

Here you will make up the minimum wiring for starting. In this example the motor/AC drive will run with right rotation.

To comply with the EMC standard, use screened control cables with plaited flexible wire up to 1.5 mm<sup>2</sup> or solid wire up to 2.5 mm<sup>2</sup>.

3. Connect a reference value between terminals 7 (Common) and 2 (AnIn 1) as in Fig. 54.
4. Connect an external start button between terminal 11 (+24 VDC) and 9 (DigIn2, RUNR) as in Fig. 54.

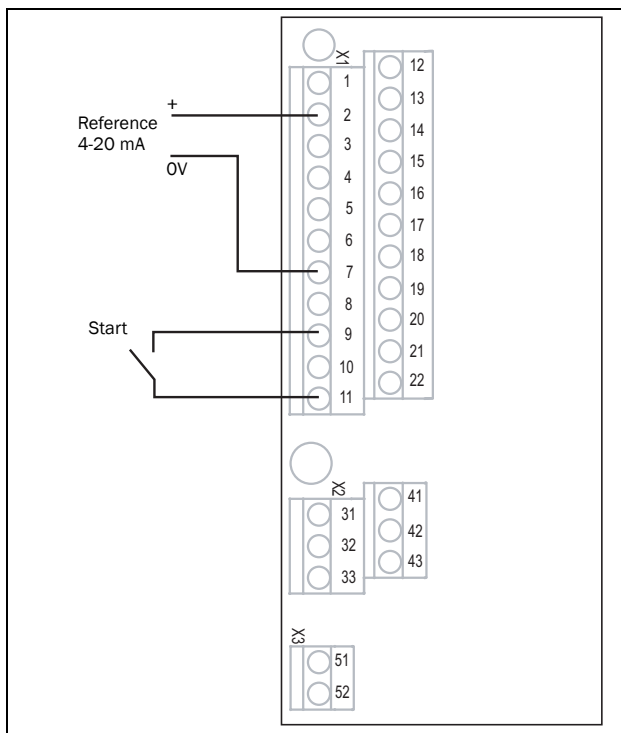


Fig. 54 Wiring

### 5.3.2 Switch on the mains

Once the mains is switched on, the internal fan in the AC drive will run for 5 seconds.

### 5.3.3 Set the Motor Data

Enter correct motor data for the connected motor. The motor data is used in the calculation of complete operational data in the AC drive.

Change settings using the keys on the control panel. For further information about the control panel and menu structure, see the chapter 9, page 71.

Menu [100], "Preferred View" is displayed when started.

1. Press **→** to display menu [200], "Main Setup".
2. Press **↵** and then **→** to display menu [220], "Motor Data".
3. Press **↵** to display menu [221] and set motor voltage.
4. Change the value using the **+** and **-** keys. Confirm with **↵**.
5. Set motor frequency [222].
6. Set motor power [223].
7. Set motor current [224].
8. Set motor speed [225].
9. Set power factor (cos φ) [227].
10. Select supply voltage level used [21B]
11. [229] Motor ID run: Choose Short, confirm with **↵** and give start command **⏻**.

The AC drive will now measure some motor parameters. The motor makes some beeping sounds but the shaft does not rotate. When the ID run is finished after about one minute ("Test Run OK!" is displayed), press **⏻** to continue.

12. Use AnIn1 as input for the reference value. The default range is 4-20 mA. If you need a 0-10 V reference value, change switch (S1) on control board.
13. Switch off power supply.
14. Connect digital and analogue inputs/outputs as in Fig. 54.
15. Ready!
16. Switch on power supply.

### 5.3.4 Run the AC drive

Now the installation is finished, and you can press the external start button to start the motor.

When the motor is running the main connections are OK.

## 5.4 Local control

Manual control via the control panel can be used to carry out a test run.












Use a 400 V motor and the control panel.

### 5.4.1 Switch on the mains

Once the mains is switched on, the AC drive is started and the internal fan will run for 5 seconds.








### 5.4.2 Select manual control

Menu [100], “Preferred View” is displayed when started.

1. Press  to display menu [200], “Main Setup”.
2. Press  to display menu [210], “Operation”.
3. Press  to display menu [211], “Language”.
4. Press  to display menu [214], “Reference Control”.
5. Select **Keyboard** using the key  and press  to confirm.
6. Press  to get to menu [215], “Run/Stop Control”.
7. Select **Keyboard** using the key  and press  to confirm.
8. Press  to get to previous menu level and then  to display menu [220], “Motor Data”.





### 5.4.3 Set the Motor Data

Enter correct motor data for the connected motor.


9. Press  to display menu [221].
10. Change the value using the  and  keys. Confirm with .
11. Press  to display menu [222].
12. Repeat step 9 and 10 until all motor data is entered.
13. Press  twice and then  to display menu [100], Preferred View.

### 5.4.4 Enter a Reference Value

Enter a reference value.

14. Press  until menu [300], “Process” is displayed.
15. Press  to display menu [310], “Set/View reference” value.
16. Use the  and  keys to enter, for example, 300 rpm. We select a low value to check the rotation direction without damaging the application.

### 5.4.5 Run the AC drive

Press the  key on the control panel to run the motor forward.

If the motor is running the main connections are OK.



## 6. Applications

This chapter contains tables giving an overview of many different applications/duties in which it is suitable to use AC drives from CG Drives & Automation. Further on you will find application examples of the most common applications and solutions.

### 6.1 Application overview

#### 6.1.1 Pumps

Challenge	Emotron FDU solution	Menu
Dry-running, cavitation and overheating damage the pump and cause downtime.	Pump Curve Protection detects deviation. Sends warning or activates safety stop.	411-419, 41C1- 41C9
Sludge sticks to impeller when pump has been running at low speed or been stationary for a while. Reduces the pump's efficiency.	Automatic pump rinsing function: pump is set to run at full speed at certain intervals, then return to normal speed.	362-368, 560, 640
Motor runs at same speed despite varying demands in pressure/flow. Energy is lost and equipment stressed.	PID continuously adapts pressure/flow to the level required. Sleep function activated when none is needed.	320, 380, 342, 354
Process inefficiency due to e.g. a blocked pipe, a valve not fully opened or a worn impeller.	Pump Curve Protection detects deviation. Warning is sent or safety stop activated.	411-419, 41C1-41C9
Water hammer damages the pump when stopped. Mechanical stress on pipes, valves, gaskets, seals.	Smooth linear stops protect the equipment. Eliminates need for costly motorized valves.	331-336

#### 6.1.2 Fans

Challenge	Emotron FDU solution	Menu
Starting a fan rotating in the wrong direction can be critical, e.g. a tunnel fan in event of a fire.	Fan is started at low speed to ensure correct direction and proper function.	219, 341
Draft causes turned off fan to rotate the wrong way. Starting causes high current peaks and mechanical stress.	Motor is gradually slowed to complete stop before starting. Avoids blown fuses and breakdown.	219, 33A, 335
Regulating pressure/flow with dampers causes high energy consumption and equipment wear.	Automatic regulation of pressure/flow with motor speed gives more exact control.	321, 354
Motor runs at same speed despite varying demands in pressure/flow. Energy is lost and equipment stressed.	PID continuously adapts to the level required. Sleep function is activated when none is needed.	320, 380, 342, 354
Process inefficiency due to e.g. a blocked filter, a damper not fully opened or a worn belt.	Load Curve Protection detects deviation. Warning is sent or safety stop activated.	411-419, 41C1-41C9

### 6.1.3 Compressors

Challenge	Emotron FDU solution	Menu
Compressor is damaged when cooling media enters the compressor screw.	Overload situation is quickly detected and safety stop can be activated to avoid breakdown.	411-41A
Pressure is higher than needed, causing leaks, stress on the equipment and excessive air use.	Load Curve Protection function detects deviation. Warning is sent or safety stop activated.	411-419, 41C1-41C9
Motor runs at same speed when no air is compressed. Energy is lost and equipment stressed.	PID continuously adapts to the level required. Sleep function activated when none is needed.	320, 380, 342, 354
Process inefficiency and energy wasted due to e.g. the compressor idling.	Load Curve Protection quickly detects deviation. Warning is sent or safety stop activated.	411-419, 41C1-41C9

### 6.1.4 Blowers

Challenge	Emotron FDU solution	Menu
Difficult to compensate for pressure fluctuations. Wasted energy and risk of production stop.	PID function continuously adapts pressure to the level required.	320, 380
Motor runs at same speed despite varying demands. Energy is lost and equipment stressed.	PID continuously adapts air flow to level required. Sleep function activated when none is needed.	320, 380, 342, 354
Process inefficiency due to e.g. a broken damper, a valve not fully opened or a worn belt.	Load Curve Protection quickly detects deviation. Warning is sent or safety stop activated.	411-419, 41C1-41C9



# 7. Main Features

This chapter contains descriptions of the main features of the AC drive.

## 7.1 Parameter sets

Only valid if the option HCP - Handheld Control Panel is used.

Parameter sets are used if an application requires different settings for different modes. For example, a machine can be used for producing different products and thus requires two or more maximum speeds and acceleration/deceleration times. With the four parameter sets different control options can be configured with respect to quickly changing the behaviour of the AC drive. It is possible to adapt the AC drive online to altered machine behaviour. This is based on the fact that at any desired moment any one of the four parameter sets can be activated during Run or Stop, via the digital inputs or the control panel and menu [241].

Each parameter set can be selected externally via a digital input. Parameter sets can be changed during operation and stored in the control panel.

---

**NOTE: The only data not included in the parameter set is Motor data 1-4, (entered separately), language, communication settings, selected set, local remote, and keyboard locked.**

---

### Define parameter sets

When using parameter sets you first decide how to select different parameter sets. The parameter sets can be selected via the control panel, via digital inputs or via serial communication. All digital inputs and virtual inputs can be configured to select parameter set. The function of the digital inputs is defined in the menu [520].

Fig. 55 shows the way the parameter sets are activated via any digital input configured to Set Ctrl 1 or Set Ctrl 2.

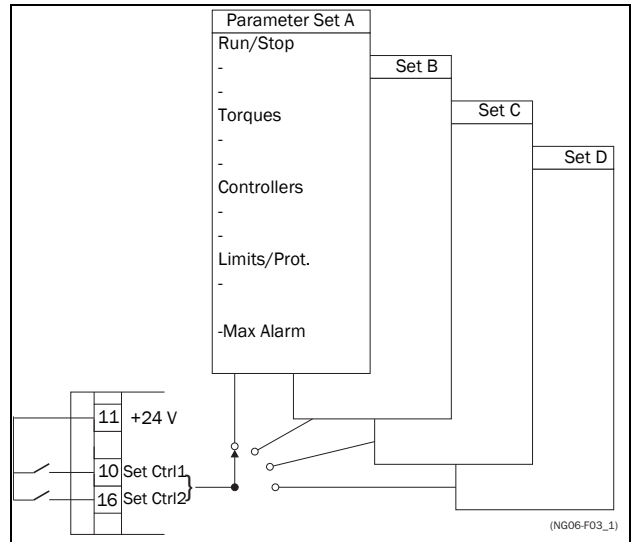


Fig. 55 Selecting the parameter sets

### Select and copy parameter set

The parameter set selection is done in menu [241], “Select Set”. First select the main set in menu [241], normally A. Adjust all settings for the application. Usually most parameters are common and therefore it saves a lot of work by copying set A>B in menu [242]. When parameter set A is copied to set B you only change the parameters in the set that need to be changed. Repeat for C and D if used.

With menu [242], Copy Set, it is easy to copy the complete contents of a single parameter set to another parameter set. If, for example, the parameter sets are selected via digital inputs, DigIn 3 is set to Set Ctrl 1 in menu [523] and DigIn 4 is set to Set Ctrl 2 in menu [524], they are activated as in Table 16.

Activate the parameter changes via digital input by setting menu [241], “Select Set” to DigIn.

Table 16 Parameter set

Parameter set	Set Ctrl 1	Set Ctrl 2
A	0	0
B	1	0
C	0	1
D	1	1

---

**NOTE: The selection via the digital inputs is immediately activated. The new parameter settings will be activated on-line, also during Run.**

---



---

**NOTE: The default parameter set is parameter set A.**

---

## Examples

Different parameter sets can be used to easily change the setup of a AC drive to adapt quickly to different application requirements. For example when

- a process needs optimized settings in different stages of the process, to
  - increase the process quality
  - increase control accuracy
  - lower maintenance costs
  - increase operator safety

With these settings a large number of options are available. Some ideas are given here:

### Multi frequency selection

Within a single parameter set the 7 preset references can be selected via the digital inputs. In combination with the parameter sets, 28 preset references can be selected using all 5 digital inputs: DigIn1, 2 and 3 for selecting preset reference within one parameter set and DigIn 4 and DigIn 5 for selecting the parameter sets.

### Bottling machine with 3 different products

Use 3 parameter sets for 3 different Jog reference speeds when the machine needs to be set up. The 4th parameter set can be used for “normal” remote control when the machine is running at full production.

### Manual - automatic control

If in an application something is filled up manually and then the level is automatically controlled using PID regulation, this is solved using one parameter set for the manual control and one for the automatic control.

## 7.1.1 One motor and one parameter set

This is the most common application for pumps and fans.

Once default motor M1 and parameter set A have been selected:

1. Enter the settings for motor data.
2. Enter the settings for other parameters e.g. inputs and outputs

## 7.1.2 One motor and two parameter sets

This application is useful if you for example have a machine running at two different speeds for different products.

Once default motor M1 is selected:

1. Select parameter set A in menu [241].
2. Enter motor data in menu [220].
3. Enter the settings for other parameters e.g. inputs and outputs.
4. If there are only minor differences between the settings in the parameter sets, you can copy parameter set A to parameter set B, menu [242].
5. Enter the settings for parameters e.g. inputs and outputs.

---

**Note: Do not change motor data in parameter set B.**

---

## 7.1.3 Two motors and two parameter sets

This is useful if you have a machine with two motors that can not run at the same time, such as a cable winding machine that lifts up the reel with one motor and then turns the wheel with the other motor.

One motor must stop before changing to an other motor.

1. Select parameter set A in menu [241].
2. Select motor M1 in menu [212].
3. Enter motor data and settings for other parameters e.g. inputs and outputs.
4. Select parameter set B in menu [241].
5. Select M2 in menu [212].
6. Enter motor data and settings for other parameters e.g. inputs and outputs.

## 7.1.4 Autoreset at trip

For several non-critical application-related failure conditions, it is possible to automatically generate a reset command to overcome the fault condition. The selection can be made in menu [250]. In this menu the maximum number of automatically generated restarts allowed can be set, see menu [251], after this the AC drive will stay in fault condition because external assistance is required.

## Example

The motor is protected by an internal protection for thermal overload. When this protection is activated, the AC drive should wait until the motor is cooled down enough before resuming normal operation. When this problem occurs three times in a short period of time, external assistance is required.

The following settings should be applied:

- Insert maximum number of restarts; set menu [251] to 3.
- Activate Motor  $I^2t$  to be automatically reset; set menu [25A] to 300 s.
- Set relay 1, menu [551] to “AutoRst Trip”; a signal will be available when the maximum number of restarts is reached and the AC drive stays in fault condition.
- The reset input must be constantly activated.

## 7.1.5 Reference priority

The active speed reference signal can be programmed from several sources and functions. The table below shows the priority of the different functions with regards to the speed reference.

Table 17 Reference priority

Main Priority	Ref. selection	Priority
1. Jog, (menu [520], [348])	-	-
2. Reference selection, (menu [214])	Remote	1. Preset
		2. MotPot
		3. AnIn
	Keypad	-
	Com	-
Option	-	

## 7.1.6 Preset references

The AC drive is able to select fixed speeds via the control of digital inputs. This can be used for situations where the required motor speed needs to be adapted to fixed values, according to certain process conditions. Up to 7 preset references can be set for each parameter set, which can be selected via all digital inputs that are set to Preset Ctrl1, Preset Ctrl2 or Preset Ctrl3. The amount digital inputs used that are set to Preset Ctrl determines the number of Preset References available; using 1 input gives 1 speed, using 2 inputs gives 3 speeds and using 3 inputs gives 7 speeds.

### Example

The use of four fixed speeds, at 50 / 100 / 300 / 800 rpm, requires the following settings:

- Set DigIn 5 as first selection input; set [525] to Preset Ctrl1.
- Set DigIn 6 as second selection input; set [526] to Preset Ctrl2.
- Set menu [341] “Min Speed” to 50 rpm.
- Set menu [362] “Preset Ref 1” to 100 rpm.
- Set menu [363] “Preset Ref 2” to 300 rpm.
- Set menu [364] “Preset Ref 3” to 800 rpm.

With these settings, the AC drive switched on and a RUN command given, the speed will be:

- 50 rpm, when both DigIn 5 and DigIn 6 are low.
- 100 rpm, when DigIn 5 is high and DigIn 6 is low.
- 300 rpm, when DigIn 5 is low and DigIn 6 is high.
- 800 rpm, when both DigIn 5 and DigIn 6 are high.

## 7.2 Remote control functions

Operation of the Run/Stop/Enable/Reset functions

As default, all the run/stop/reset related commands are programmed for remote operation via the inputs on the terminal strip (terminals 1-22) on the control board. With the function “Run/Stp Ctrl” [215] and “Reset Control” [216], this can be selected for keyboard or serial communication control.

---

**NOTE: The examples in this paragraph do not cover all possibilities. Only the most relevant combinations are given. The starting point is always the default setting (factory) of the AC drive.**

---

### Default settings of the Run/Stop/Enable/Reset functions

The default settings are shown in Fig. 56. In this example the AC drive is started and stopped with DigIn 2 and a reset after trip can be given with DigIn 8.

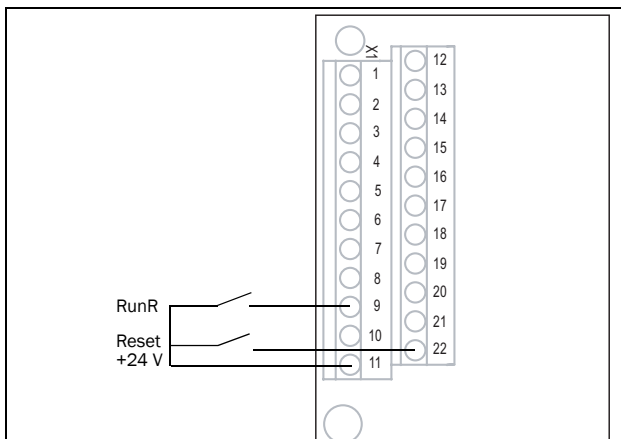


Fig. 56 Default setting Run/Reset commands

The inputs are default set for level-control. The rotation is determined by the setting of the digital inputs.

## Enable and Stop functions

Both functions can be used separately or simultaneously. The choice of which function is to be used depends on the application and the control mode of the inputs (Level/Edge [21A]).

---

**NOTE: In Edge mode, at least one digital input must be programmed to “stop”, because the Run commands are only able to start the AC drive.**

---

### Enable

Input must be active (HI) to allow any Run signal. If the input is made LOW, the output of the AC drive is immediately disabled and the motor will coast.



**CAUTION!**  
If the Enable function is not programmed to a digital input, it is considered to be active internally.

### Stop

If the input is low then the AC drive will stop according to the selected stop mode set in menu [33B] “Stop Mode”. Fig. 57 shows the function of the Enable and the Stop input and the Stop Mode=Decel [33B].

To run the input must be high.

---

**NOTE: Stop Mode=Coast [33B] will give the same behaviour as the Enable input.**

---

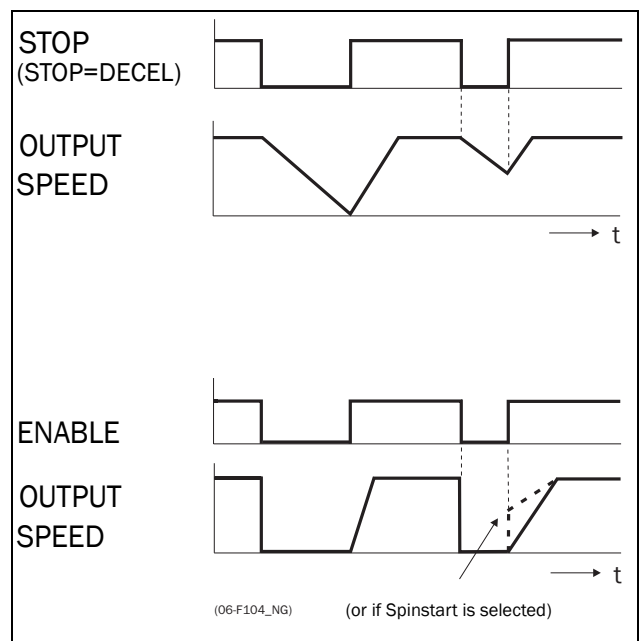


Fig. 57 Functionality of the Stop and Enable input

## Reset and Autoreset operation

If the AC drive is in Stop Mode due to a trip condition, the AC drive can be remotely reset by a pulse (“low” to “high” transition) on the Reset input, default on DigIn 8. Depending on the selected control method, a restart takes place as follows:

### Level-control

If the Run inputs remain in their position the AC drive will start immediately after the Reset command is given.

### Edge-control

After the Reset command is given a new Run command must be applied to start the AC drive again.

Autoreset is enabled if the Reset input is continuously active. The Autoreset functions are programmed in menu “Autoreset [240]”.

**NOTE: If the control commands are programmed for Keyboard control or Com, Autoreset is not possible.**

### Run Inputs Level-controlled.

The inputs are set as default for level-control. This means that an input is activated by making the input continuously “High”. This method is commonly used if, for example, PLCs are used to operate the AC drive.



#### CAUTION!

**Level-controlled inputs DO NOT comply with the Machine Directive, if the inputs are directly used to start and stop the machine.**

The examples given in this and the following paragraphs follow the input selection shown in Fig. 58.

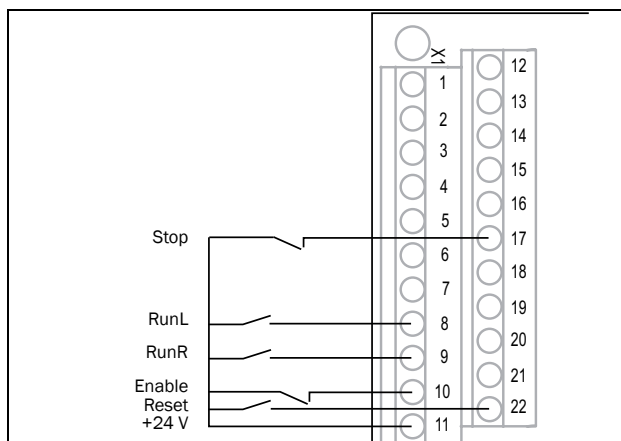


Fig. 58 Example of wiring for Run/Stop/Enable/Reset inputs

The Enable input must be continuously active in order to accept any run-right or run-left command. If both RunR and RunL inputs are active, then the AC drive stops according to the selected Stop Mode. Fig. 59 gives an example of a possible sequence.

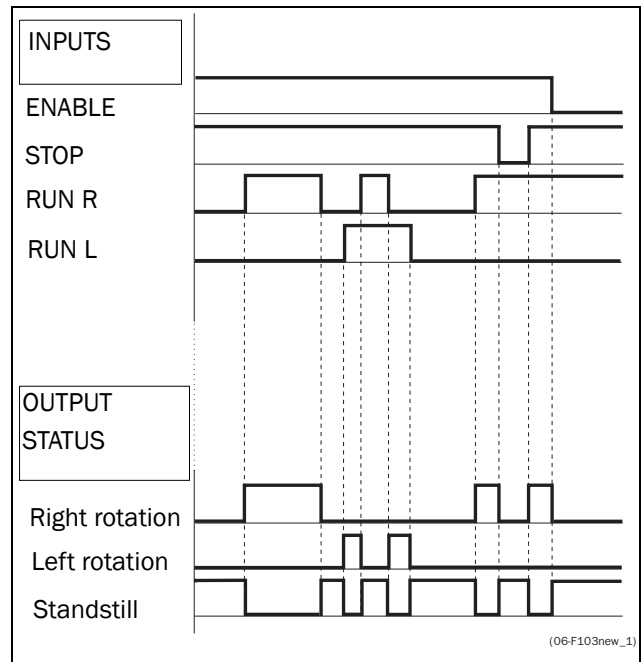


Fig. 59 Input and output status for level-control

### Run Inputs Edge-controlled

Menu “[21A] Start signal” Level/Edge must be set to Edge to activate edge control. This means that an input is activated by a “low” to “high” transition or vice versa.

**NOTE: Edge-controlled inputs comply with the Machine Directive (see Chapter 8. page 69), if the inputs are directly used for starting and stopping the machine.**

See Fig. 58. The Enable and Stop input must be active continuously in order to accept any run-right or run-left command. The last edge (RunR or RunL) is valid. Fig. 60 gives an example of a possible sequence.

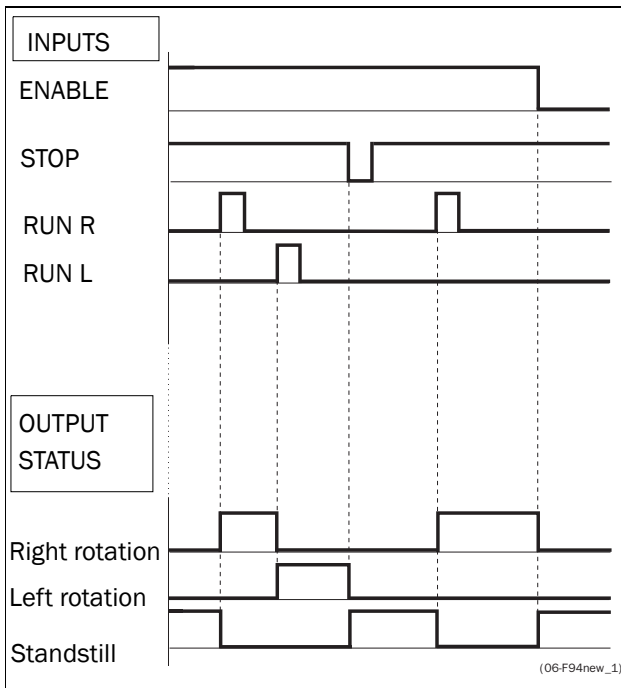


Fig. 60 Input and output status for edge-control

### 7.3 Performing an Identification Run

To get the optimum performance out of your AC drive/motor combination, the AC drive must measure the electrical parameters (resistance of stator winding, etc.) of the connected motor. See menu [229] "Motor ID-Run".

### 7.4 Using the Control Panel Memory

Data can be copied from the AC drive to the memory in the control panel and vice versa. To copy all data (including parameter set A-D and motor data) from the AC drive to the control panel, select Copy to CP[234], Copy to CP.

To copy data from the control panel to the AC drive, enter the menu [235], Load from CP and select what you want to copy.

The memory in the control panel is useful in applications with AC drives without a control panel and in applications where several AC drives have the same setup. It can also be used for temporary storage of settings. Use a control panel to upload the settings from one AC drive and then move the control panel to another AC drive and download the settings.

**NOTE: Load from and copy to the AC drive is only possible when the AC drive is in stop mode.**

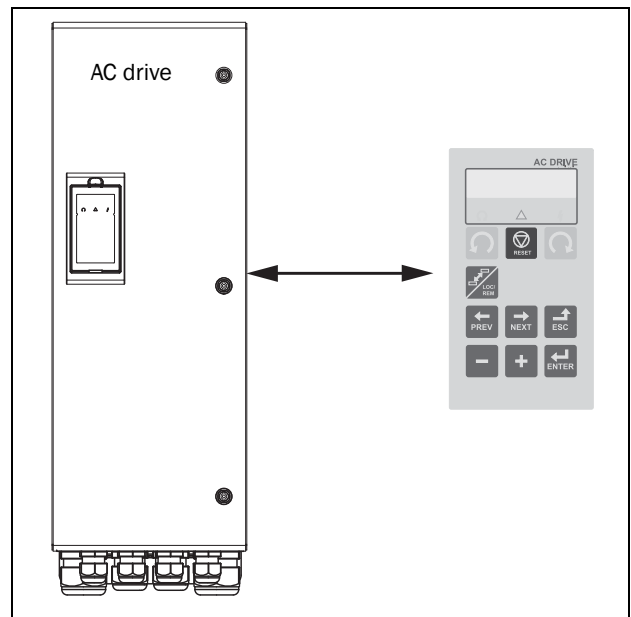


Fig. 61 Copy and load parameters between AC drive and control panel

## 7.5 Load Monitor and Process Protection [400]

### 7.5.1 Load Monitor [410]

The monitor functions enable the AC drive to be used as a load monitor. Load monitors are used to protect machines and processes against mechanical overload and underload, such as a conveyer belt or screw conveyer jamming, belt failure on a fan or a pump dry running. The load is measured in the AC drive by the calculated motor shaft torque. There is an overload alarm (Max Alarm and Max Pre-Alarm) and an underload alarm (Min Alarm and Min Pre-Alarm).

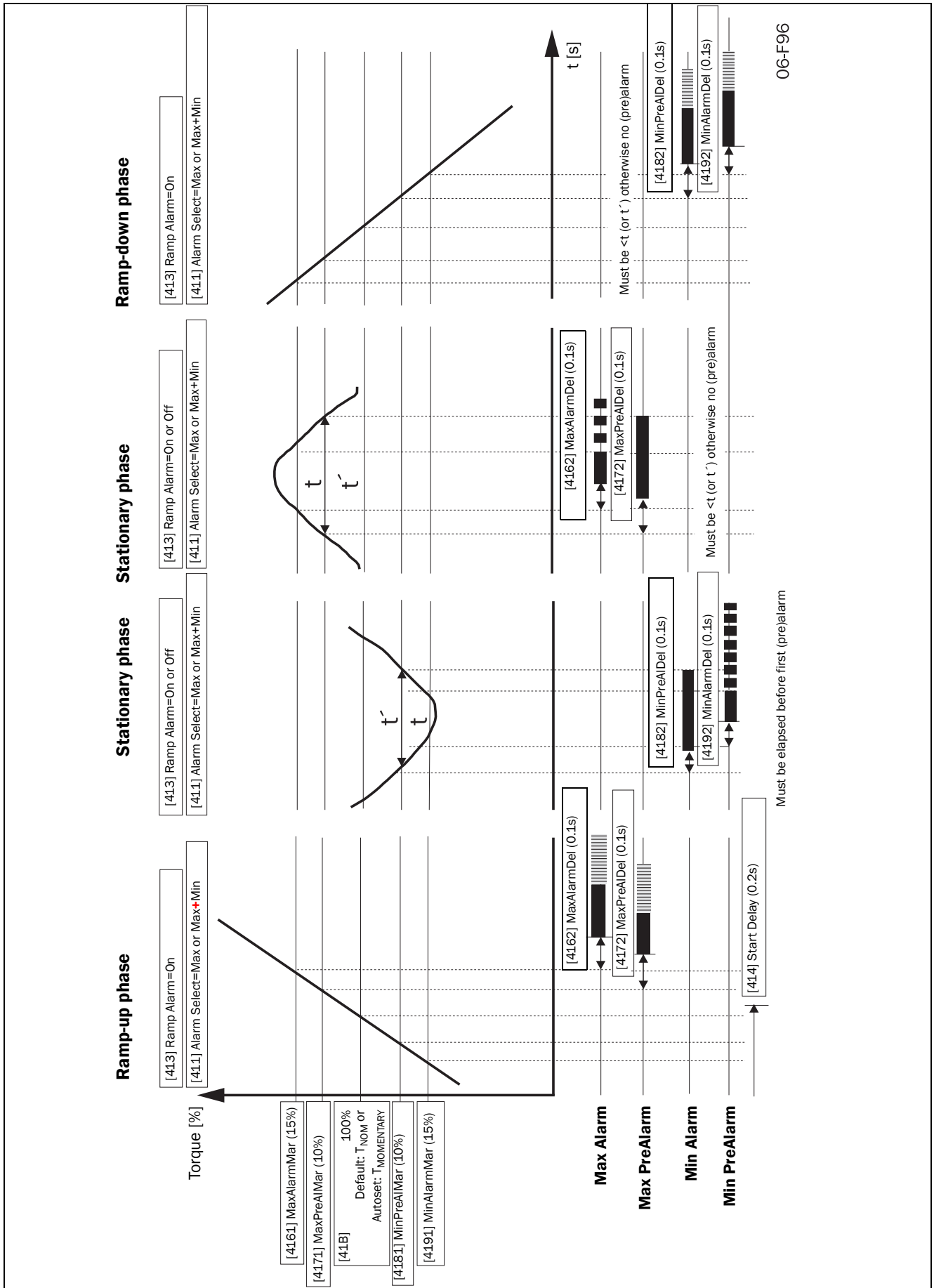
The Basic Monitor type uses fixed levels for overload and underload (pre-)alarms over the whole speed range. This function can be used in constant load applications where the torque is not dependent on the speed, e.g. conveyer belt, displacement pump, screw pump, etc.

For applications with a torque that is dependent on the speed, the Load Curve monitor type is preferred. By measuring the actual load curve of the process, characteristically over the range of minimum speed to maximum speed, an accurate protection at any speed can be established.

The max and min alarm can be set for a trip condition. The pre-alarms act as a warning condition. All the alarms can be monitored on the digital or relay outputs.

The autoset function automatically sets the 4 alarm levels whilst running: maximum alarm, maximum pre-alarm, minimum alarm and minimum pre-alarm.

Fig. 62 gives an example of the monitor functions for constant torque applications



06-F96

Fig. 62



## 7.6 Pump function

### 7.6.1 Introduction

A maximum of 4 pumps can be controlled with the standard AC drive.

If I/O Board options are installed, a maximum of 7 pumps can be controlled. The I/O Board can also be used as a general extended I/O.

The Pump Control function is used to control a number of drives (pumps, fans, etc., with a maximum of 3 additional drives per I/O-board connected) of which one is always driven by the AC drive. Other names for this kind of controllers are 'Cascade controller' or 'Hydrophore controller'.

Depending on the flow, pressure or temperature, additional pumps can be activated via the appropriate signals by the output relays of the AC drive and/or the I/O Board. The system is developed in such a way that one AC drive will be the master of the system.

Select relay on the control board or on an option board. The relays are set to functions for controlling pumps. In the pictures in this section, the relays are named R:Function, e.g. R:SlavePump1, which means a relay on the control board or on an option board set to function SlavePump1.

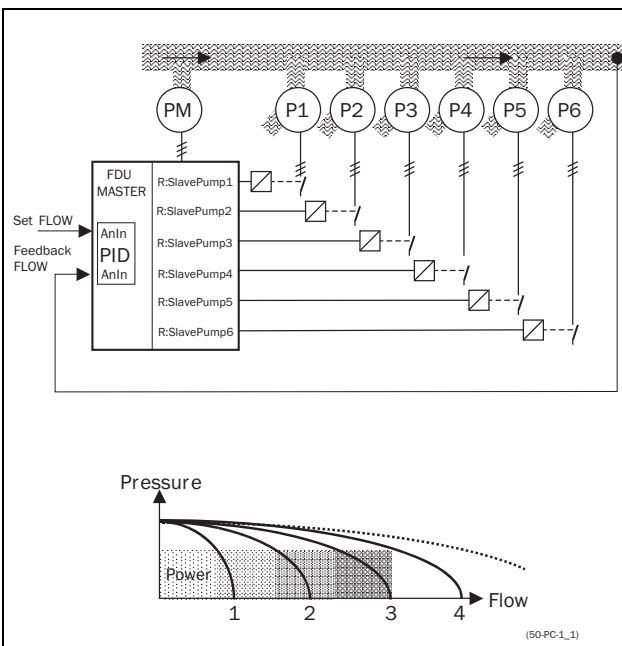


Fig. 62 Flow control with pump control option

All additional pumps can be activated via an AC drive, soft starter, Y/ Δ or D.O.L. switches.

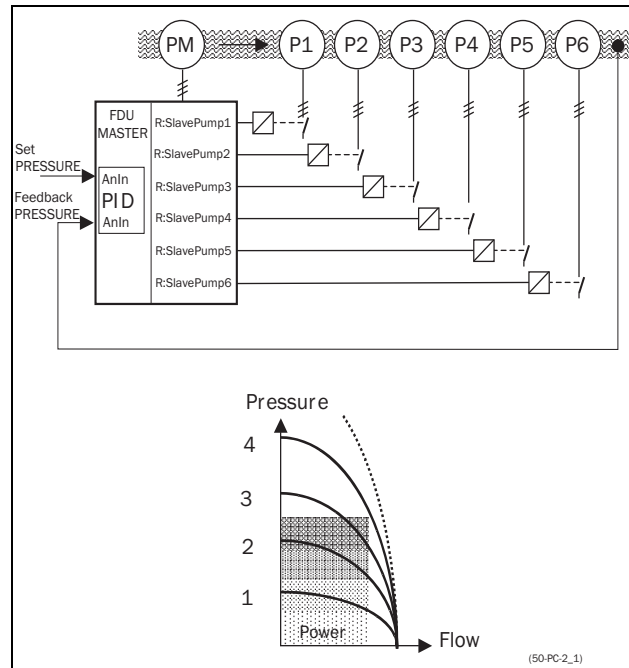


Fig. 63 Pressure control with pump control option

Pumps in parallel will operate as a flow controller, See Fig. 62.

Pumps in series will operate as a pressure controller see Fig. 63. The basic control principle is shown in Fig. 64.

**NOTE: Read this instruction manual carefully before commencing installation, connecting or working with the AC drive with Pump Control option.**

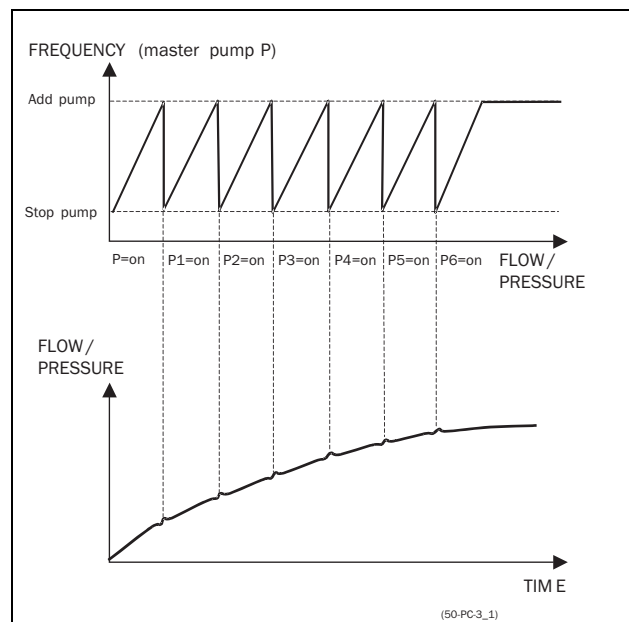


Fig. 64 Basic Control principle

## 7.6.2 Fixed MASTER

This is the default setting of the Pump Control. The AC drive controls the Master pump which is always running. The relay outputs start and stop the other pumps P1 to P6, depending on flow/pressure. In this configuration a maximum of 7 pumps can be controlled, see Fig. 65. To equalize the lifetime of the additional pumps it is possible to select the pumps depending on the run time history of each pump.

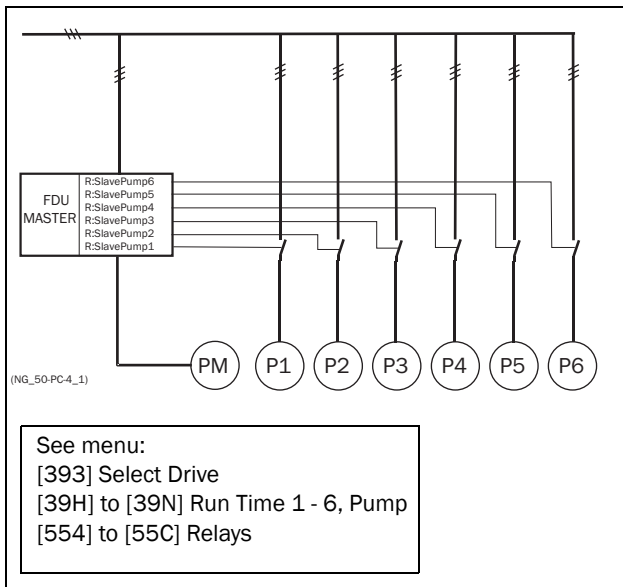


Fig. 65 Fixed MASTER control

**NOTE: The pumps MAY have different powers, however the MASTER pump MUST always be the largest.**

## 7.6.3 Alternating MASTER

With this function the Master pump is not fixed to the AC drive all the time. After the AC drive is powered up or started again after a stop or sleep mode the Master pump is selected via the relay set to function Master Pump. section 7.6.7 on page 65 shows a detailed wiring diagram with 3 pumps. The purpose of this function is that all pumps are used equally, so the lifetime of all pumps, including the Master pump, will be equalized. Maximum 6 pumps can be controlled with this function.

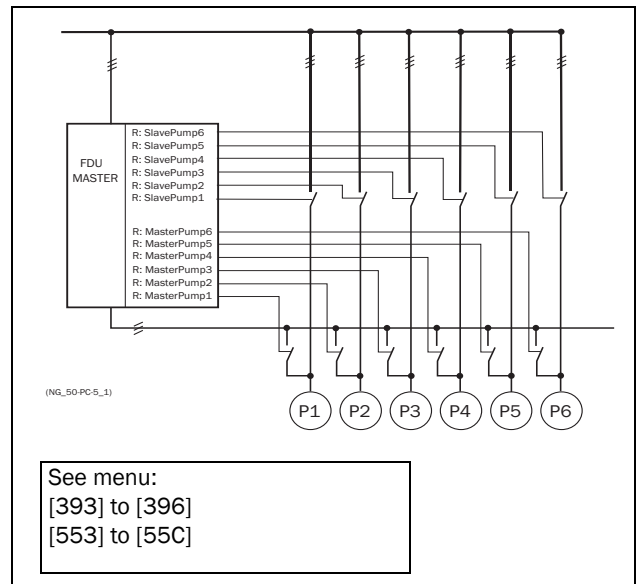


Fig. 66 Alternating MASTER Control

**NOTE: The pumps MUST have all the same power.**

### 7.6.4 Feedback 'Status' input

In this example the additional pumps are controlled by an other kind of drive (e.g. soft starter, frequency inverter, etc.). The digital inputs on the I/O Board can be programmed as "Error" input for each pump. If a drive fails the digital input will monitor this and the PUMP CONTROL option will not use that particular drive anymore and automatically

switch to another drive. This means that the control continues without using this (faulty) drive. This function can also be used to manually stop a particular pump for maintenance purposes, without shutting down the whole pump system. Of course the maximum flow/pressure is then limited to the maximum pump power of the remaining pumps.

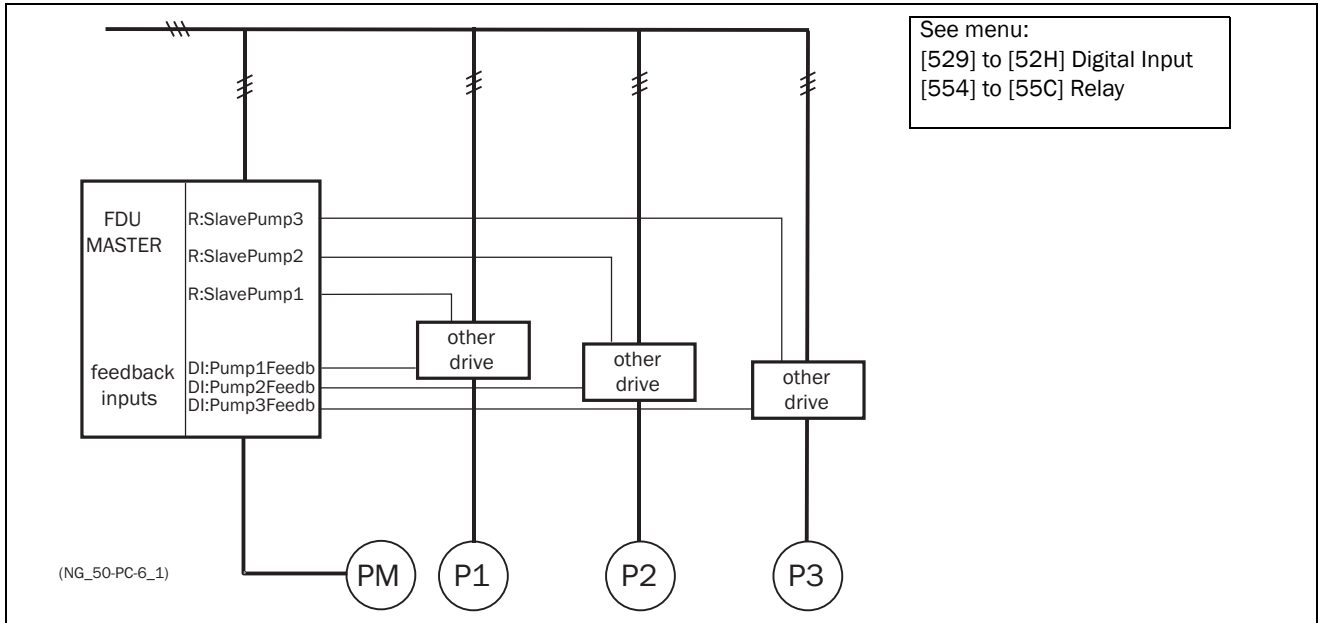


Fig. 67 Feedback "Status" input

### 7.6.5 Fail safe operation

Some pump systems must always have a minimum flow or pressure level, even if the frequency inverter is tripped or damaged. So at least 1 or 2 (or maybe all) additional pumps must keep running after the inverter is powered down or tripped. This kind of "safe" pump operation can be

obtained by using the NC contacts of the pump control relays. These can be programmed for each individual additional pump. In this example pumps P5 and P6 will run at maximum power if the inverter fails or is powered down.

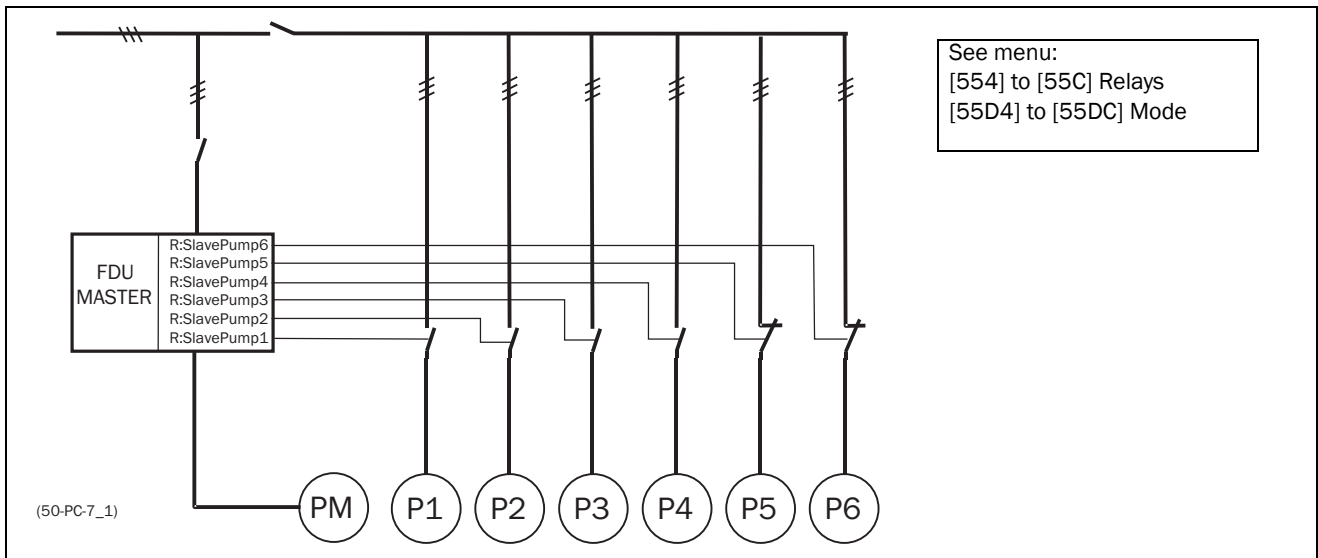


Fig. 68 Example of "Fail safe" operation

## 7.6.6 PID control

When using the Pump Control option it is mandatory to activate the PID controller function. Analogue inputs AnIn 1 to AnIn4 can be set as functions for PID set values and/or feedback values.

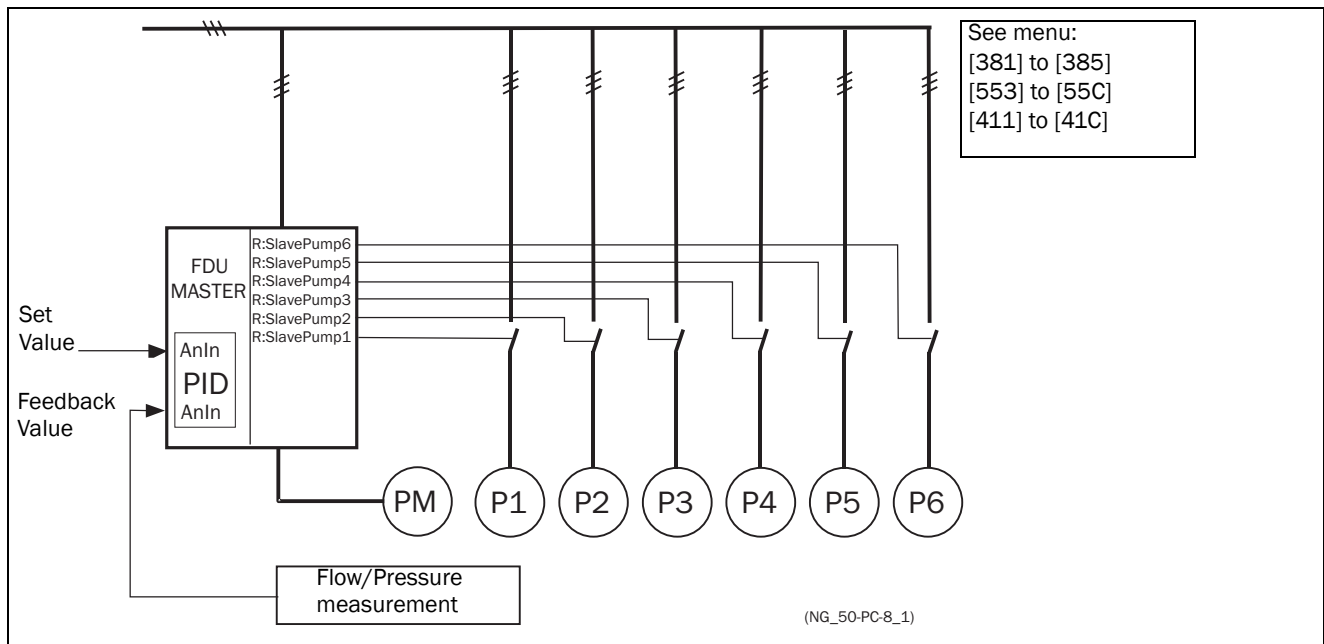


Fig. 69 PID control

## 7.6.7 Wiring Alternating Master

Fig. 70 and Fig. 71 show the relay functions MasterPump1-6 and SlavePump1-6. The Master and Additional contactors also interlock with each other to prevent dual powering of the pump and damage to the inverter. (K1M/K1S, K2M/K2S, K3M/K3S). Before running, the FDU will select a pump to be Master, depending on the pump run times.



**CAUTION!**  
The wiring for the Alternating Master control needs special attention and should be wired exactly as described here, to avoid destructive short circuit at the output of the inverter.

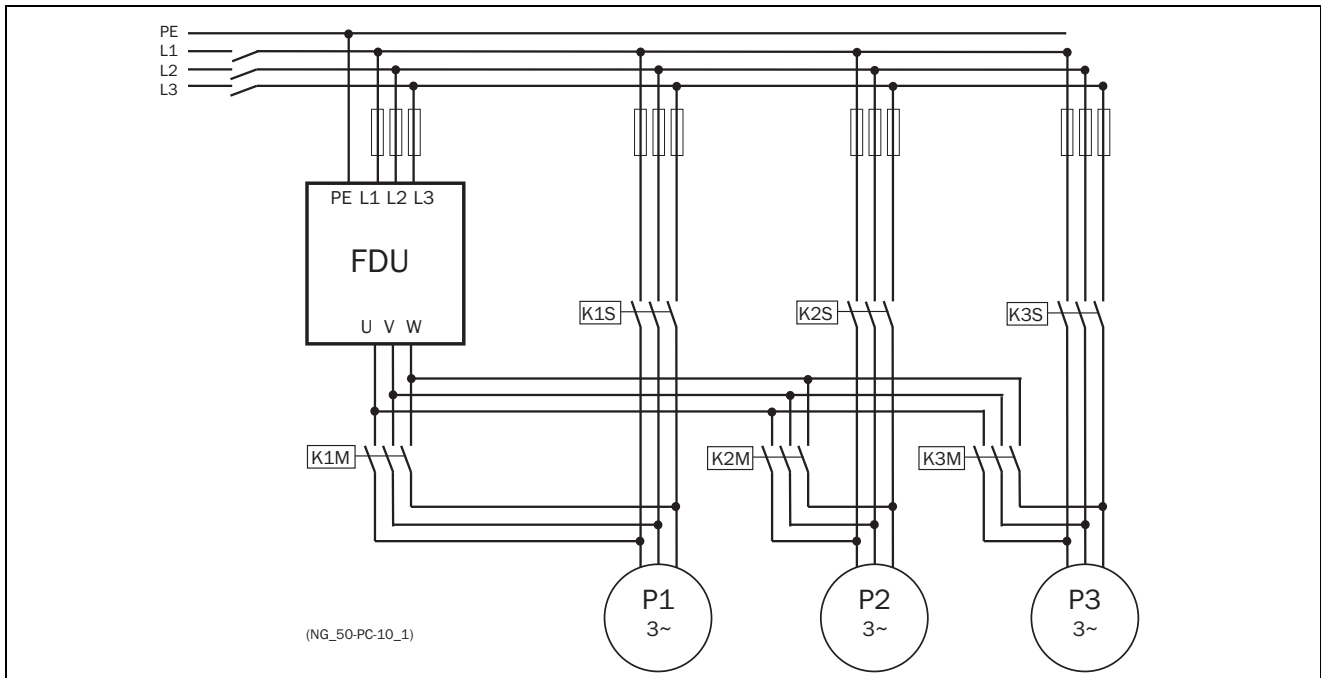


Fig. 70 Power connections for Alternating MASTER circuit with 3 pumps

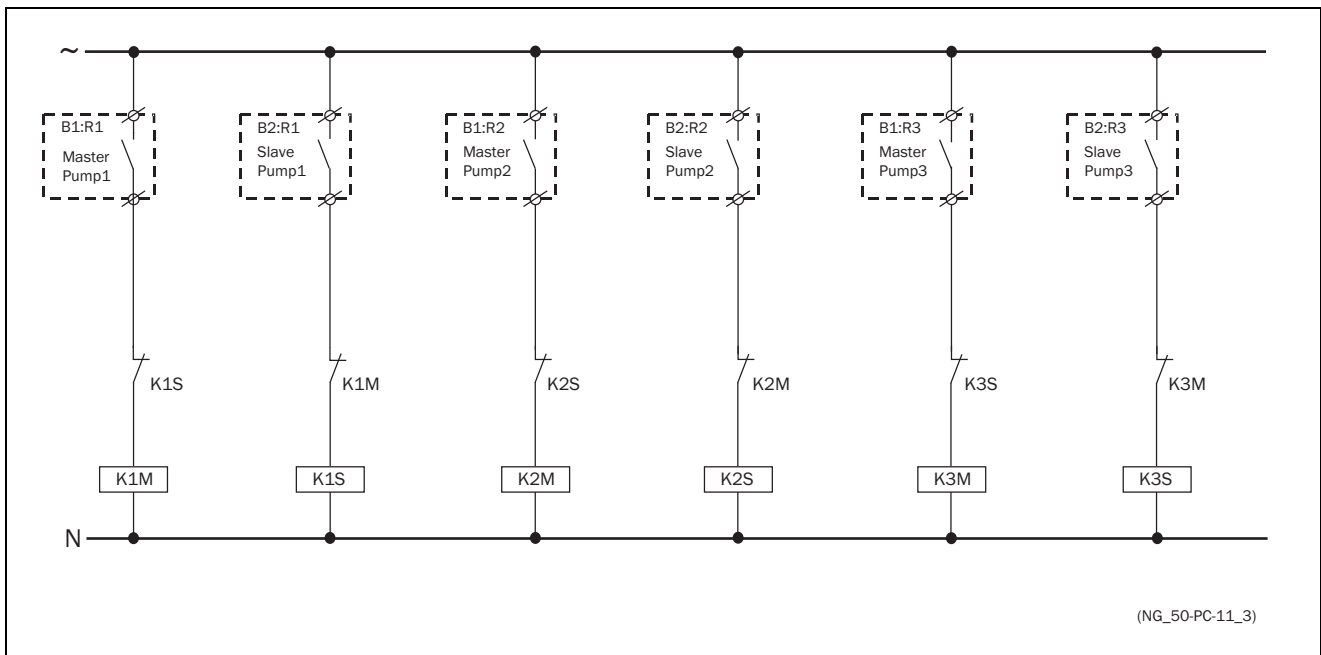


Fig. 71 Control connections for Alternating MASTER circuit with 3 pumps

## 7.6.8 Checklist And Tips

<b>1. Main Functions</b>	<p>Start by choosing which of the two main functions to use:</p> <ul style="list-style-type: none"> <li>- <b>"Alternating MASTER" function</b></li> </ul> <p>In this case the "Master" pump can be alternated, although this function needs slightly more complicated wiring than the "Fixed MASTER" function described below. The I/O Board option is necessary.</p> <ul style="list-style-type: none"> <li>- <b>"Fixed MASTER" function:</b></li> </ul> <p>One pump is always the master, only the additional pumps alternate.</p> <p>Notice that there is a big difference in the wiring of the system between these main functions, so it not possible to switch between these 2 functions later on. For further information see section 7.6.2, page 62.</p>
<b>2. Number of pumps/drives</b>	<p>If the system consists of 2 or 3 pumps the I/O Board option is not needed. However, this does mean that the following functions are not then possible:</p> <ul style="list-style-type: none"> <li>- "Alternating MASTER" function</li> <li>- With isolated inputs</li> </ul> <p>With the I/O Board option installed, the maximum number of pumps is:</p> <ul style="list-style-type: none"> <li>- 6 pumps if "Alternating MASTER" function is selected. (see section 7.6.3 on page 62)</li> <li>- 7 pumps if "Fixed MASTER" function is selected. (see section 7.6.2, page 62)</li> </ul>
<b>3. Pump size</b>	<ul style="list-style-type: none"> <li>- <b>"Alternating MASTER" function:</b></li> </ul> <p>The sizes of the pumps must be equal.</p> <ul style="list-style-type: none"> <li>- <b>"Fixed MASTER" function:</b></li> </ul> <p>The pumps may have different power sizes, but the master pump (FDU) must always have the greatest power.</p>
<b>4. Programming the Digital inputs</b>	<p>If the digital inputs are used, the digital input function must be set to Drive feedback.</p>
<b>5. Programming the Relay outputs</b>	<p>After the Pump controller is switched on in menu [391] the number of drives (pumps, fans, etc.) must be set in menu [392] (Number of Drives). The relays themselves must be set to the function SlavePump1-6 and if Alternate master is used, MasterPump1-6 as well.</p>
<b>6. Equal Pumps</b>	<p>If all pumps are equal in power size it is likely that the Upper band is much smaller than the Lower band, because the maximum pump discharge of the master pump is the same if the pump is connected to the mains (50Hz). This can give a very narrow hysteresis causing an unstable control area in the flow/pressure. By setting the maximum frequency of the inverter only slightly above 50Hz it means that the master pump has a slightly bigger pump discharge than the pump on the mains. Of course caution is essential in order to prevent the master pump running at a higher frequency for a longer period of time, which in turn prevents the master pump from overloading.</p>
<b>7. Minimum Speed</b>	<p>With pumps and fans it is normal to use a minimum speed, because at lower speed the discharge of the pump or fan will be low until 30-50% of the nominal speed (depending on size, power, pump properties, etc.). When using a minimum speed, a much smoother and better control range of the whole system will be achieved.</p>

## 7.6.9 Functional Examples of Start/Stop Transitions

relay in this example starts the pump directly on line. Of course other start/stop equipment like a soft starter could be controlled by the relay output.

### Starting an additional pump

This figure shows a possible sequence with all levels and functions involved when a additional pump is started by means of the pump control relays. The starting of the second pump is controlled by one of the relay outputs. The

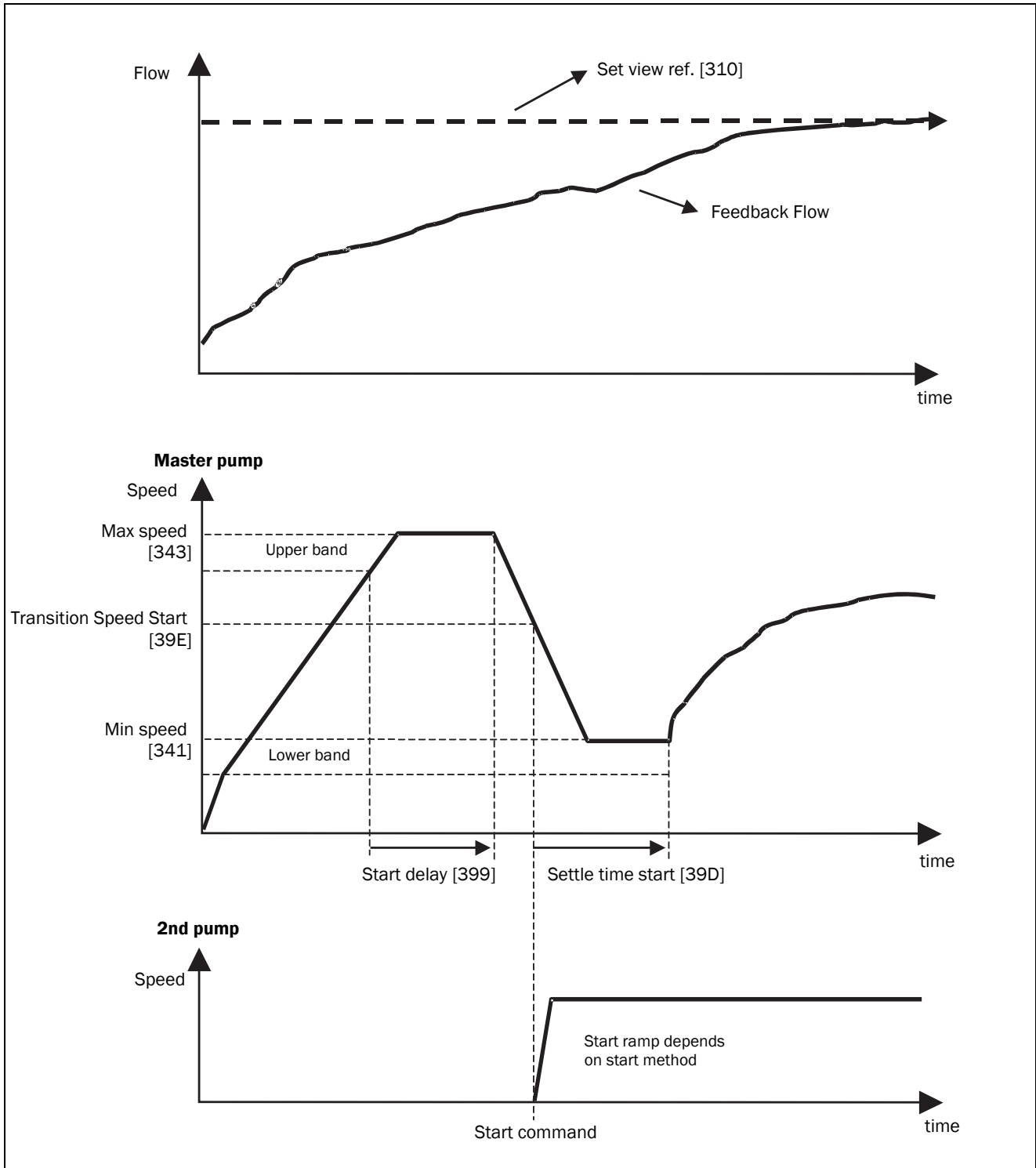


Fig. 72 Time sequence starting an additional pump

## Stopping an additional pump

This figure shows a possible sequence with all levels and functions involved when an additional pump is stopped by means of the pump control relays. The stopping of the second pump is controlled by one of the relay outputs. The relay in this example stops the pump directly on line. Of course other start/stop equipment like a soft starter could be controlled by the relay output.

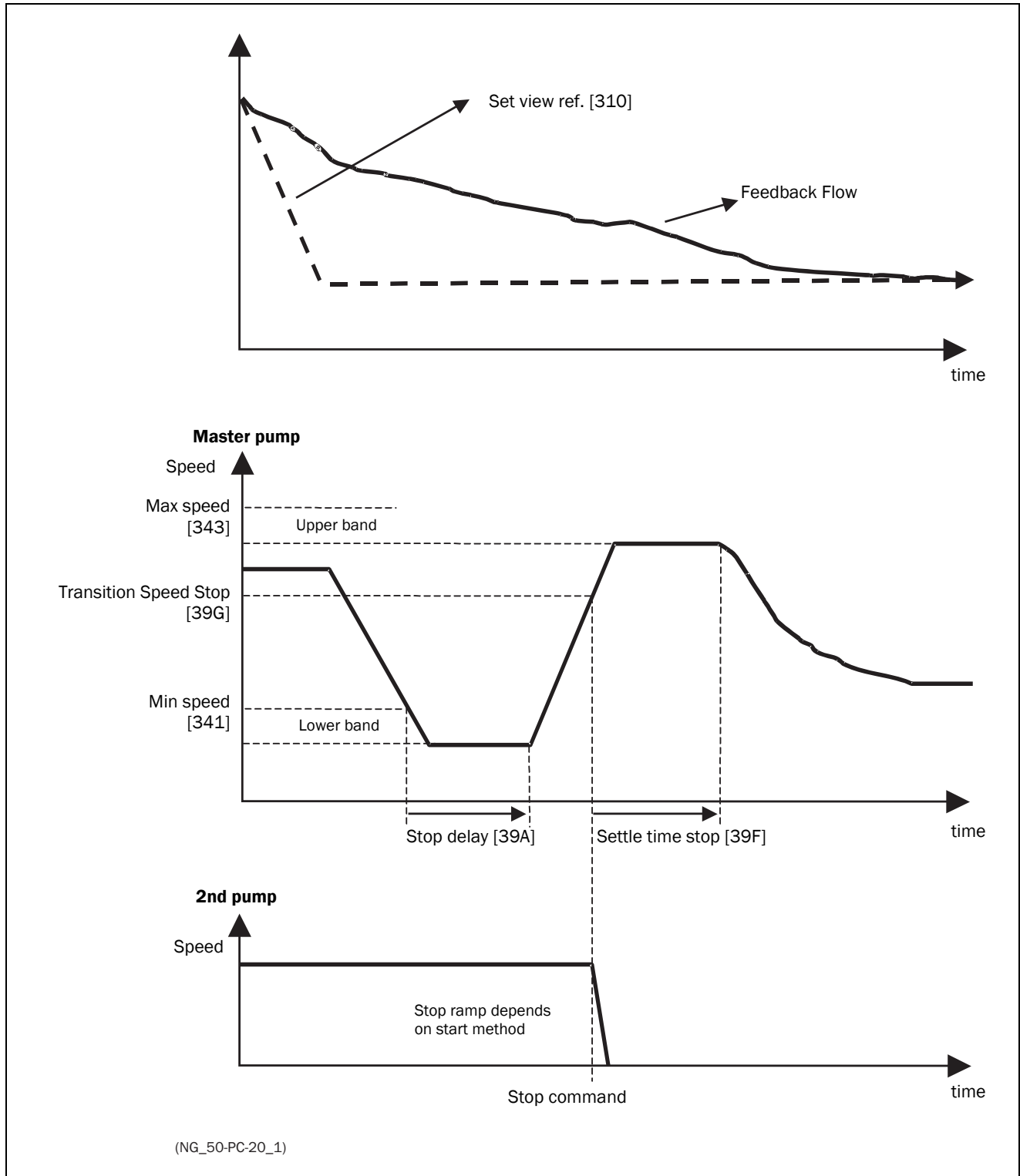


Fig. 73 Time sequence stopping an additional pump



## 8. EMC and standards

### 8.1 EMC standards

The AC drive complies with the following standards:

EN(IEC)61800-3:2004 Adjustable speed electronic power drive systems, part 3, EMC product standards:

Standard: category C3, for systems of rated supply voltage < 1000 VAC, intended for use in the second environment.

Optional: Category C2, for systems of rated supply voltage < 1.000 V, which is neither a plug in device nor a movable device and, when used in the first environment, is intended to be installed and commissioned only by experienced person with the necessary skills in installing and/or commissioning AC drives including their EMC aspects.

### 8.2 Stop categories and emergency stop

The following information is important if emergency stop circuits are used or needed in the installation where a AC drive is used. EN 60204-1 defines 3 stop categories:

#### Category 0: Uncontrolled STOP:

Stopping by switching off the supply voltage. A mechanical stop must be activated. This STOP may not be implemented with the help of a AC drive or its input/output signals.

#### Category 1: Controlled STOP:

Stopping until the motor has come to rest, after which the mains supply is switched off. This STOP may not be implemented with the help of a AC drive or its input/output signals.

#### Category 2: Controlled STOP:

Stopping while the supply voltage is still present. This STOP can be implemented with each of the AC drives STOP command.



**WARNING!**

**EN 60204-1 specifies that every machine must be provided with a category 0 stop. If the application prevents this from being**

**implemented, this must be explicitly stated.**

**Furthermore, every machine must be provided with an Emergency Stop function. This emergency stop must ensure that the voltage at the machine contacts, which could be dangerous, is removed as quickly as possible, without resulting in any other danger. In such an Emergency Stop situation, a category 0 or 1 stop may be used. The choice will be decided on the basis of the possible risks to the machine.**

---

---

**NOTE: With option Safe Stop, a “Safe Torque Off (STO)” stop according EN-IEC 62061:2005 SIL 2 & EN-ISO 13849-1:2006, can be achieved.  
See chapter 13.10 page 207**

---



## 9. Operation via the Control Panel

This chapter describes how to use the control panel. The AC drive can be delivered with a control panel or a blank panel.

### 9.1 General

The control panel displays the status of the AC drive and is used to set all the parameters. It is also possible to control the motor directly from the control panel. The control panel can be built-in or located externally via serial communication. The AC drive can be ordered without the control panel. Instead of the control panel there will be a blank panel.

**NOTE: The AC drive can run without the control panel being connected. However the settings must be such that all control signals are set for external use.**

### 9.2 The control panel

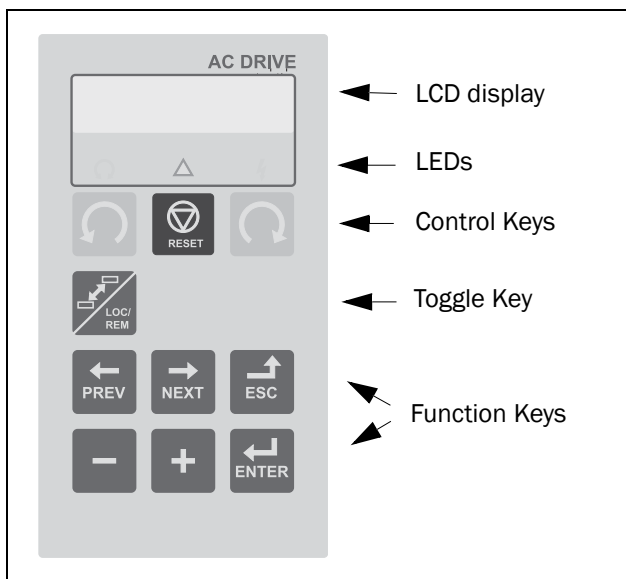


Fig. 74 Control panel

#### 9.2.1 The display

The display is back lit and consists of 2 rows, each with space for 16 characters. The display is divided into six areas.

The different areas in the display are described below:

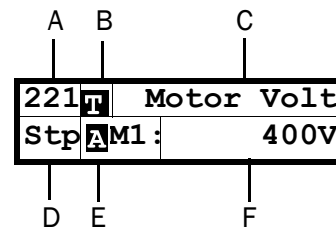


Fig. 75 The display

- Area A: Shows the actual menu number (3 or 4 digits).
- Area B: Shows if the menu is in the toggle loop or the AC drive is set for Local operation.
- Area C: Shows the heading of the active menu.
- Area D: Shows the status of the AC drive (3 digits). The following status indications are possible:
  - Acc : Acceleration
  - Dec : Deceleration
  - I<sup>2</sup>t : Active I<sup>2</sup>t protection
  - Run : Motor runs
  - Trp : Tripped
  - Stp : Motor is stopped
  - VL : Operating at Voltage limit
  - slp : Sleep mode
  - SL : Operating at Speed limit
  - CL : Operating at Current limit
  - TL : Operating at Torque limit
  - OT : Operating at Temperature Limit
  - LV : Operating at Low Voltage
  - Sby : Operating from Standby power supply
  - SST : Operating Safe Stop, is flashing when activated
  - LCL : Operating with low cooling liquid level
- Area E: Shows active parameter set and if it is a motor parameter.
- Area F: Shows the setting or selection in the active menu. This area is empty at the 1st level and 2nd level menu. This area also shows warnings and alarm messages. In some situations this area could indicate "+++" or "---" please see further information in chapter 9.2.2 page 72

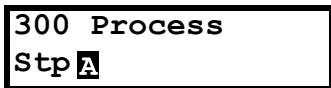


Fig. 76 Example 1st level menu

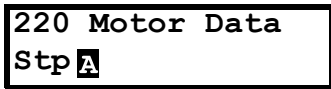


Fig. 77 Example 2nd level menu

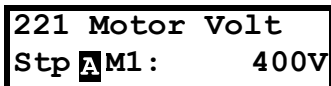


Fig. 78 Example 3d level menu

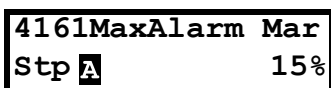


Fig. 79 Example 4th level menu

## 9.2.2 Indications on the display

The display can indicate “+++” or “---” if a parameter is out of range. In the AC drive there are parameters which are dependent on other parameters. For example, if the speed reference is 500 and the maximum speed value is set to a value below 500, this will be indicated with “+++” on the display. If the minimum speed value is set over 500, “---” is displayed.

## 9.2.3 LED indicators

The symbols on the control panel have the following functions:

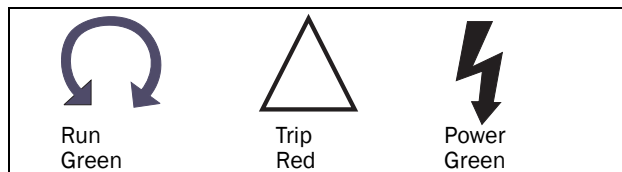


Fig. 80 LED indications

Table 18 LED indication

Symbol	Function		
	ON	FLASHING	OFF
<b>POWER (green)</b>	Power on	-----	Power off
<b>TRIP (red)</b>	AC drive tripped	Warning/Limit	No trip
<b>RUN (green)</b>	Motor shaft rotates	Motor speed increase/decrease	Motor stopped

## 9.2.4 Control keys

The control keys are used to give the Run, Stop or Reset commands directly. As default these keys are disabled, set for remote control. Activate the control keys by selecting Keyboard in the menus “Ref Control [214]”, “Run/Stop Control [215]” and “Reset Ctrl [216]”.

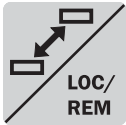
If the Enable function is programmed on one of the digital inputs, this input must be active to allow Run/Stop commands from the control panel.

Table 19 Control keys

	RUN L:	gives a start with left rotation
	STOP/RESET:	stops the motor or resets the AC drive after a trip
	RUN R:	gives a start with right rotation

**NOTE: It is not possible to simultaneously activate the Run/Stop commands from the keyboard and remotely from the terminal strip (terminals 1-22). Exception is the JOG-function which can give start command, see “Jog Speed [348]” on page 127**

## 9.2.5 The Toggle and Loc/Rem Key



This key has two functions: Toggle and switching between Loc/Rem function.

Press one second to use the toggle function

Press and hold the toggle key for more than five seconds to switch between Local and Remote function, depending on the settings in [2171] and [2172].

When editing values, the toggle key can be used to change the sign of the value, see section 9.5, page 75.

### Toggle function

Using the toggle function makes it possible to easily step through selected menus in a loop. The toggle loop can contain a maximum of ten menus. As default the toggle loop contains the menus needed for Quick Setup. You can use the toggle loop to create a quick-menu for the parameters that are most importance to your specific application.

**NOTE: Do not keep the Toggle key pressed for more than five seconds without pressing either the +, - or Esc key, as this may activate the Loc/Rem function of this key instead. See menu [217].**

### Add a menu to the toggle loop

1. Go to the menu you want to add to the loop.
2. Press the Toggle key and keep it pressed while pressing the + key.

### Delete a menu from the toggle loop

1. Go to the menu you want to delete using the toggle key.
2. Press the Toggle key and keep it pressed while pressing the - key.

### Delete all menus from the toggle loop

1. Press the Toggle key and keep it pressed while pressing the Esc key.
2. Confirm with Enter.

### Default toggle loop

Fig. 81 shows the default toggle loop. This loop contains the necessary menus that need to be set before starting. Press Toggle to enter menu [211] then use the Next key to enter the sub menus [212] to [21A] and enter the parameters. When you press the Toggle key again, menu [221] is displayed.

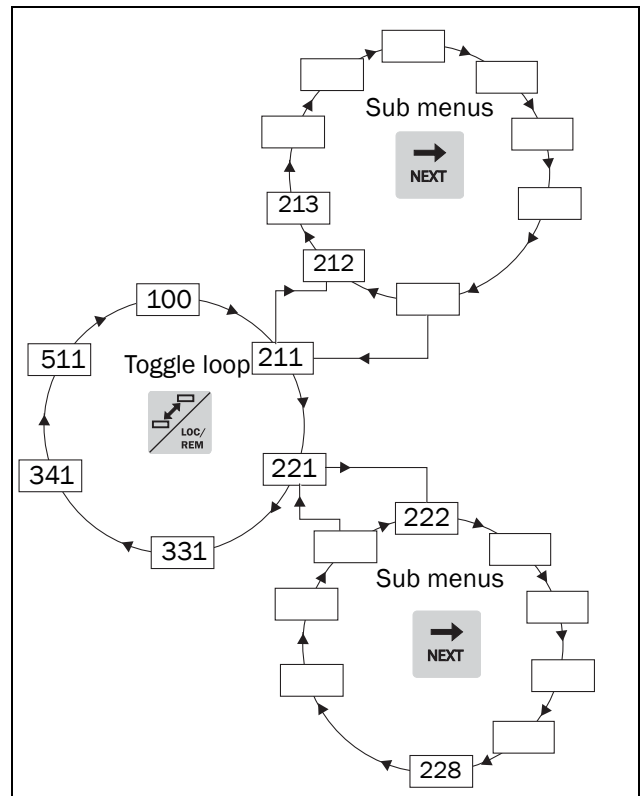



Fig. 81 Default toggle loop

### Indication of menus in toggle loop

Menus included in the toggle loop are indicated with a  in area B in the display.

### Loc/Rem function


The Loc/Rem function of this key is disabled as default. Enable the function in menu [2171] and/or [2172].

With the function Loc/Rem you can change between local and remote control of the AC drive from the control panel. The function Loc/Rem can also be changed via the DigIn, see menu "Digital inputs [520]".

### Change control mode

1. Press the Loc/Rem key for five seconds, until Local? or Remote? is displayed.
2. Confirm with Enter.
3. Cancel with Esc.

### Local mode

Local mode is used for temporary operation. When switched to LOCAL operation, the AC drive is controlled via the defined Local operation mode, i.e. [2171] and [2172]. The actual status of the AC drive will not change, e.g. Run/Stop conditions and the actual speed will remain exactly the same. When the AC drive is set to Local operation, the display will show  in area B in the display.

## Remote mode







When the AC drive is switched to REMOTE operation, the AC drive will be controlled according to selected control methods in the menu's "Reference Control [214]", "Run/Stop Control [215]" and "Reset Control [216]".

To monitor the actual Local or Remote status of the AC drive control, a "Loc/Rem" signal is available on the Digital Outputs or Relays. When the AC drive is set to Local, the signal on the DigOut or Relay will be active/high, in Remote the signal will be inactive/low. See menu "Digital Outputs [540]" and "Relays [550]".

## 9.2.6 Function keys

The function keys operate the menus and are also used for programming and read-outs of all the menu settings.

Table 20 Function keys

	ENTER key:	<ul style="list-style-type: none"> <li>- step to a lower menu level</li> <li>- confirm a changed setting</li> </ul>
	ESCAPE key:	<ul style="list-style-type: none"> <li>- step to a higher menu level</li> <li>- ignore a changed setting, without confirming</li> </ul>
	PREVIOUS key:	<ul style="list-style-type: none"> <li>- step to a previous menu within the same level</li> <li>- go to more significant digit in edit mode</li> </ul>
	NEXT key:	<ul style="list-style-type: none"> <li>- step to a next menu within the same level</li> <li>- go to less significant digit in edit mode</li> </ul>
	- key:	<ul style="list-style-type: none"> <li>- decrease a value</li> <li>- change a selection</li> </ul>
	+ key:	<ul style="list-style-type: none"> <li>- increase a value</li> <li>- change a selection</li> </ul>

## 9.3 The menu structure

The menu structure consists of 4 levels:

Main Menu 1st level	The first character in the menu number.
2nd level	The second character in the menu number.
3rd level	The third character in the menu number.
4th level	The fourth character in the menu number.

This structure is consequently independent of the number of menus per level.

For instance, a menu can have one selectable menu (Set/View Reference Value [310]), or it can have 17 selectable menus (menu Speeds [340]).

**NOTE: If there are more than 10 menus within one level, the numbering continues in alphabetic order.**

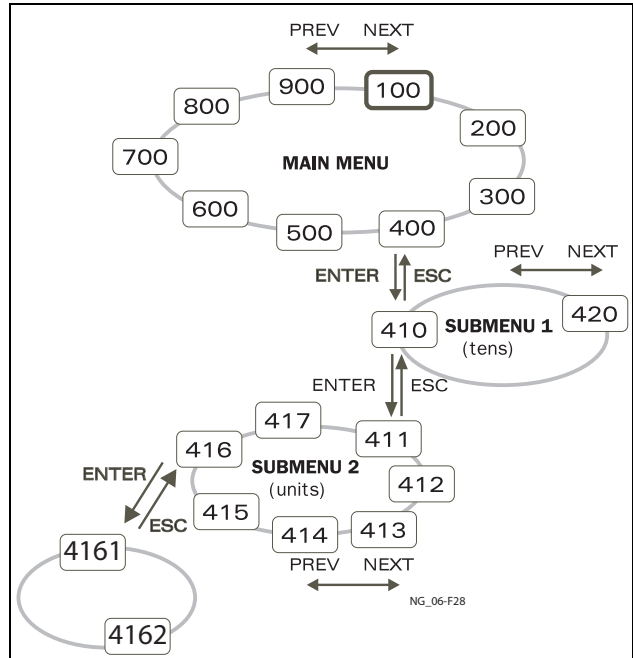


Fig. 82 Menu structure

### 9.3.1 The main menu

This section gives you a short description of the functions in the Main Menu.

#### 100 Preferred View

Displayed at power-up. It displays the actual process value as default. Programmable for many other read-outs.

#### 200 Main Setup

Main settings to get the AC drive operable. The motor data settings are the most important. Also option utility and settings.

#### 300 Process and Application Parameters

Settings more relevant to the application such as Reference Speed, torque limitations, PID control settings, etc.

#### 400 Shaft Power Monitor and Process Protection

The monitor function enables the AC drive to be used as a load monitor to protect machines and processes against mechanical overload and underload.

## 500 Inputs/Outputs and Virtual Connections

All settings for inputs and outputs are entered here.

## 600 Logical Functions and Timers

All settings for conditional signals are entered here.

## 700 View Operation and Status

Viewing all the operational data like frequency, load, power, current, etc.

## 800 View Trip Log

Viewing the last 10 trips in the trip memory.

## 900 Service Information and AC drive Data

Electronic type label for viewing the software version and AC drive type.

## 9.4 Programming during operation

Most of the parameters can be changed during operation without stopping the AC drive. Parameters that can not be changed are marked with a lock symbol in the display.

---

**NOTE: If you try to change a function during operation that only can be changed when the motor is stopped, the message "Stop First" is displayed.**

---

## 9.5 Editing values in a menu

Most values in the second row in a menu can be changed in two different ways. Enumerated values like the baud rate can only be changed with alternative 1.

2621	Baudrate
Stp	38400

### Alternative 1

When you press the + or - keys to change a value, the cursor is flashing to the left in the display and the value is increased or decreased when you press the appropriate key. If you keep the + or - keys pressed, the value will increase or decrease continuously. When you keep the key pressed the change speed will increase. The Toggle key is used to change the sign of the entered value. The sign of the value will also change when zero is passed. Press Enter to confirm the value.

331	Acc Time
Stp A	2.00s

▲ Flashing

### Alternative 2

Press the + or - key to enter edit mode. Then press the Prev or Next key to move the cursor to the right most position of the value that should be changed. The cursor will make the selected character flashes. Move the cursor using the Prev or Next keys. When you press the + or - keys, the character at the cursor position will increase or decrease. This alternative is suitable when you want to make large changes, i.e. from 2 s to 400 s.

To change the sign of the value, press the toggle key. This makes it possible to enter negative values (Only valid for certain parameters).

Example: When you press Next the 4 will flash.

331	Acc Time
Stp A	4.00s

Flashing \_\_\_\_\_▲

Press Enter to save the setting and Esc to leave the edit mode.

## 9.6 Copy current parameter to all sets

When a parameter is displayed, press the Enter key for 5 seconds. Now the text To all sets? is displayed. Press Enter to copy the setting for current parameter to all sets.

## 9.7 Programming example

This example shows how to program a change of the Acc. Time set from 2.0 s to 4.0 s.

The flashing cursor indicates that a change has taken place but is not saved yet. If at this moment, the power fails, the change will not be saved.

Use the ESC, Prev, Next or the Toggle keys to proceed and to go to other menus.

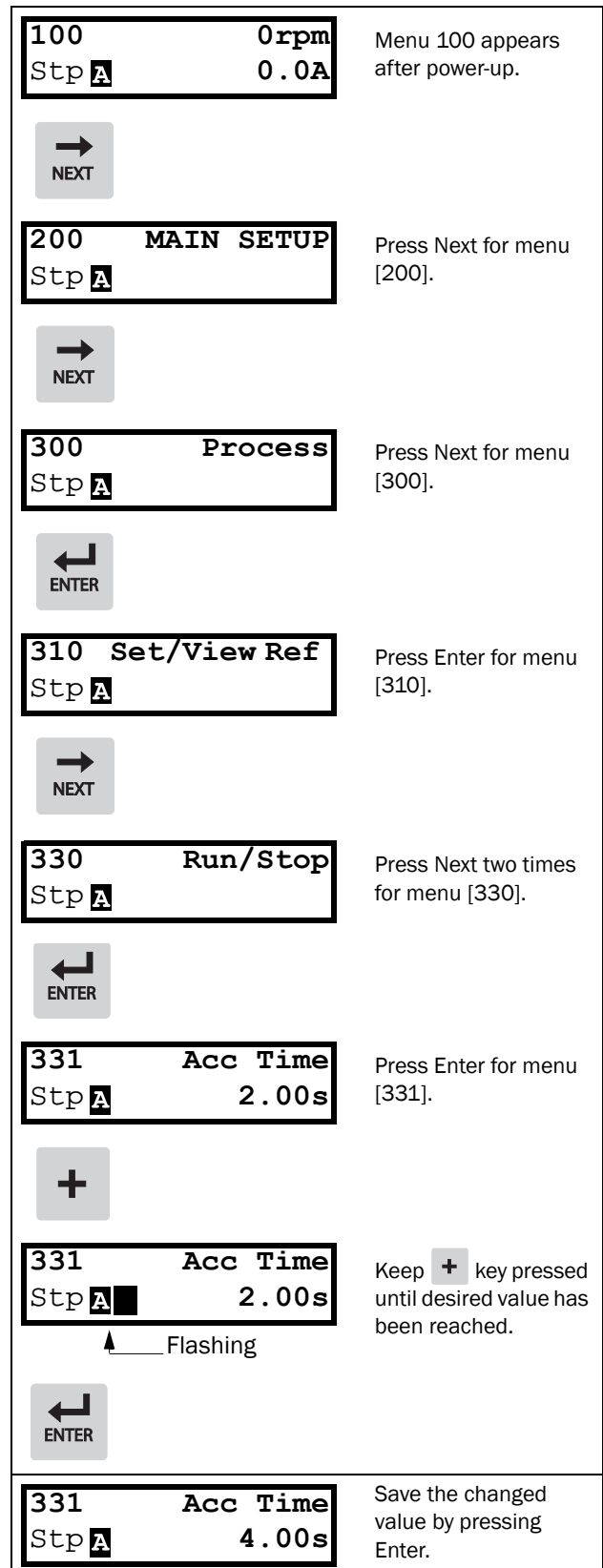


Fig. 83 Programming example



## 10. Serial communication

The AC drive provides possibility for different types of serial communication.

- Modbus RTU via RS232/485
- Fieldbuses as Profibus DP and DeviceNet
- Industrial Ethernet as Modbus/TCP, Profinet IO and EtherCAT

### 10.1 Modbus RTU

The AC drive has an asynchronous serial communication interface behind the control panel. It is also possible to use the isolated RS232/485 option board (if installed).

The protocol used for data exchange is based on the Modbus RTU protocol, originally developed by Modicon. The physical connection is RS232. The AC drive acts as a slave with address 1 in a master-slave configuration. The communication is half-duplex. It has a standard non return zero (NRZ) format.

The baud rate is fixed to 9600 (Control panel RS232 port).

The character frame format (always 11 bits) has:

- one start bit
- eight data bits
- two stop bits
- no parity

It is possible to temporarily connect a personal computer with for example the software EmoSoftCom (programming and monitoring software) to the RS232 connector on the control panel. This can be useful when copying parameters between AC drives etc. For permanent connection of a personal computer you have to use one of the communication option boards.

---

**NOTE: This RS232 port is not isolated.**

---



**WARNING!**

**Correct and safe use of a RS232 connection depends on the ground pins of both ports being the same potential. Problems can**

**occur when connecting two ports of e.g. machinery and computers where both ground pins are not the same potential. This may cause hazardous ground loops that can destroy the RS232 ports.**

**The control panel RS232 connection is not galvanically isolated.**

**The RS232/485 option board from CG Drives & Automation is galvanically isolated.**

**Note that the control panel RS232 connection can safely be used in combination with commercial available isolated USB to RS232 converters.**

---

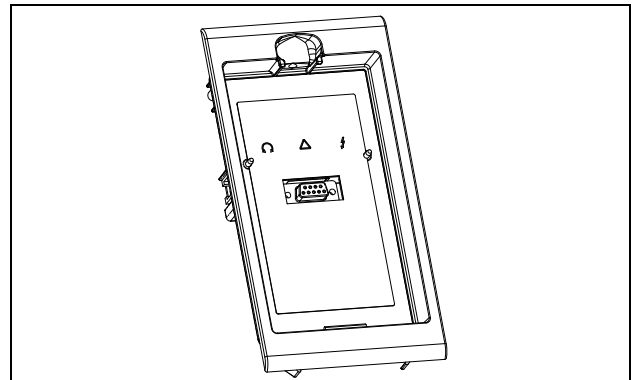


Fig. 84 RS232 connector behind the control panel

### 10.2 Parameter sets

Communication information for the different parameter sets.

The different parameter sets in the AC drive have the following DeviceNet instance numbers, Profibus slot/index numbers, Profinet IO index and EtherCAT index numbers:

Param. set	Modbus/ DeviceNet Instance number	Profibus Slot/Index	Profinet IO index	EtherCAT index (hex)
A	43001-43899	168/160 to 172/38	19385 - 20283	4bb9 - 4f3b
B	44001-44899	172/140 to 176/18	20385 - 21283	4fa1 - 5323
C	45001-45899	176/120 to 179/253	21385 - 22283	5389 - 5706
D	46001-46899	180/100 to 183/233	22385 - 23283	5771 - 5af3

Parameter set A contains parameters 43001 to 43899. The parameter sets B, C and D contains the same type of information. For example parameter 43123 in parameter set A contain the same type of information as 44123 in parameter set B.

## 10.3 Motor data

Communication information for the different motors.

Motor	Modbus/DeviceNet Instance number	Profibus Slot/Index	Profinet IO index	EtherCAT index (hex)
M1	43041-43048	168/200 to 168/207	19425 - 19432	4be1 - 4be8
M2	44041-44048	172/180 to 174/187	20425 - 20432	4fc9 - 4fd0
M3	45041-45048	176/160 to 176/167	21425 - 21432	53b1 - 53b8
M4	46041-46048	180/140 to 180/147	22425 - 22432	5799 - 57a0

M1 contains parameters 43041 to 43048. The M2, M3, and M4 contains the same type of information. For example parameter 43043 in motor M1 contain the same type of information as 44043 in M2.

## 10.4 Start and stop commands

Set start and stop commands via serial communication.

Modbus/DeviceNet Instance number	Function
42901	Reset
42902	Run, active together with either RunR or RunL to perform start.
42903	RunR
42904	RunL

---

**Note! Bipolar reference mode is activated if both RunR and RunL is active.**

---

## 10.5 Reference signal

When menu “Reference Control [214 ]” is set to “Com” the following parameter data should be used:

Default	0
Range	-16384 to 16384
Corresponding to	-100% to 100% ref

Communication information

Modbus /DeviceNet Instance number	42905
Profibus slot /Index	168/64
EtherCAT index (hex)	4b59
Profinet IO index	19289
Fieldbus format	Int
Modbus format	Int

### 10.5.1 Process value

It is also possible to send the Process value feedback signal over a bus (e.g. from a process or temperature sensor) for use with PID Process controller [380].

Set menu “Process Source [321 ]” to F(Bus). Use following parameter data for the process value:

Default	0
Range	-16384 to 16384
Corresponding to	-100% to 100% process value

Communication information

Modbus /DeviceNet Instance number	42906
Profibus slot /Index	168/65
EtherCAT index (hex)	4b5a
Profinet IO index	19290
Fieldbus format	Int
Modbus format	Int

#### Example:

(See Emotron Fielbus manual for detailed information)

We would like to control the AC drive over a bus system using the first two bytes of the Basic Control Message by setting menu “[2661 ] FB Signal 1” to 49972. Further, we also want to transmit a 16 bit signed reference and a 16 bit process value. This is done by setting menu “[2662 ] FB Signal 2” to 42905 and menu “[2663 ] FB Signal 3” to 42906.

---

**NOTE! It is possible to view the transmitted process value in control panel menu Operation [710 ]. The presented value is depending on settings in menus “Process Min [324 ]” and “Process Max [325 ]”.**

---

## 10.6 Description of the EInt formats

A parameter with EInt format can be represented in two different formats (F). Either as a 15 bit unsigned integer format (F= 0) or a Emotron floating point format (F=1). The most significant bit (B15) indicates the format used. See detailed description below.

All parameters written to a register may be rounded to the number of significant digits used in the internal system.

The matrix below describes the contents of the 16-bit word for the two different EInt formats:

B15	B14	B13	B12	B11	B10	B9	B8	B7	B6	B5	B4	B3	B2	B1	B0
F=1	e3	e2	e1	e0	m10	m9	m8	m7	m6	m5	m4	m3	m2	m1	m0
F=0	B14	B13	B12	B11	B10	B9	B8	B7	B6	B5	B4	B3	B2	B1	B0

If the format bit (B15) is 0, then all bits may be treated as a standard unsigned integer (UInt)

If the format bit is 1, then is the number interpreted as this:

Value = M \* 10<sup>E</sup>, where M=m10..m0 represents a two- complement signed mantissa and E= e3..e0 represents a two- complement signed exponent.

---

**NOTE: Parameters with EInt format may return values both as 15 bit unsigned int (F=0) or in Emotron floating point (F=1).**

---

### Example, resolution

If you write the value 1004 to a register and this register has 3 significant digits, it will be stored as 1000.

In the Emotron floating point format (F=1), one 16-bit word is used to represent large (or very small numbers) with 3 significant digits.

If data is read or written as a fixed point (i.e. no decimals) number between 0-32767, the 15 bit Unsigned integer format (F=0) may be used.

### Detailed description of Emotron floating point format

e3-e0 4-bit signed exponent. Gives a value range:

-8..+7 (binary 1000 .. 0111)

m10-m0 11-bit signed mantissa.Gives a value range:

-1024..+1023 (binary 10000000000..01111111111)

A signed number should be represented as a two complement binary number, like below:

Value Binary

-8 1000

-7 1001

..

-2 1110

-1 1111

0 0000

1 0001

2 0010

..

6 0110

7 0111

The value represented by the Emotron floating point format is m·10<sup>e</sup>.

To convert a value from the Emotron floating point format to a floating point value, use the formula above.

To convert a floating point value to the Emotron floating point format, see the C-code example below.

### Example, floating point format

The number 1.23 would be represented by this in Emotron floating point format,

```
F EEEE MMMMMMMMMMMM
1 1110 00001111011
F=1 -> floating point format used
E=-2
M=123
```

The value is then 123x10<sup>-2</sup> = 1.23

### Example 15bit unsigned int format

The value 72.0 can be represented as the fixed point number 72. It is within the range 0-32767, which means that the 15-bit fixed point format may be used.

The value will then be represented as:

B15	B14	B13	B12	B11	B10	B9	B8	B7	B6	B5	B4	B3	B2	B1	B0
0	0	0	0	0	0	0	0	0	1	0	0	1	0	0	0

Where bit 15 indicates that we are using the fixed point format (F=0).

Programming example:

```
typedef struct
{
    int m:11; // mantissa, -1024..1023
    int e: 4; // exponent -8..7
    unsigned int f: 1; // format, 1->special emoint format
}    eint16;
//-----
unsigned short int float_to_eint16(float value)
{
    eint16 etmp;
    int dec=0;

    while (floor(value) != value && dec<16)
    {
        dec++; value*=10;
    }
    if (value>=0 && value<=32767 && dec==0)
        *(short int *)&etmp=(short int)value;
    else if (value>=-1000 && value<0 && dec==0)
    {
        etmp.e=0;
        etmp.f=1;
        etmp.m=(short int)value;
    }
    else
    {
        etmp.m=0;
        etmp.f=1;
        etmp.e=-dec;
        if (value>=0)
            etmp.m=1; // Set sign
        else
            etmp.m=-1; // Set sign
        value=fabs(value);
        while (value>1000)
        {
            etmp.e++; // increase exponent
            value=value/10;
        }
        value+=0.5; // round
        etmp.m=etmp.m*value; // make signed
    }
    return (*(unsigned short int *)&etmp);
}
//-----
float eint16_to_float(unsigned short int value)
{
    float f;
    eint16 evalue;


    evalue=*(eint16 *)&value;
    if (evalue.f)
    {
        if (evalue.e>=0)
            f=(int)evalue.m*pow10(evalue.e);
        else
            f=(int)evalue.m/pow10(abs(evalue.e));
    }
    else
        f=value;

    return f;
}
//-----
```

# 11. Functional Description



This chapter describes the menus and parameters in the software. You will find a short description of each function and information about default values, ranges, etc. There are also tables containing communication information. You will find the parameter number for all available fieldbus options as well as the enumeration for the data.



On our home page in the download area, you could find a "Communication information" list and a list to note "Parameter set" information.

**NOTE: Functions marked with the sign  cannot be changed during Run Mode.**

## Description of menu table layout

Following two kinds of tables are used in this chapter.

 ① Read-only ②	③	<b>332</b> <b>Init Torque</b> Stp  <b>10%</b>
Default:	④	
⑤	o	⑦

 ① Read-only ②	③	<b>222</b> <b>Motor Frequ</b> Stp  M1 <b>50Hz%</b>
Default:	④	
Resolution	⑦	

1. Parameter cannot be changed during operation.
2. Parameter only for viewing.
3. Menu information as displayed on control panel.  
For explanation of display text and symbols, see Chapter 9.2 page 71.
4. Factory setting of parameter (also showed on display).
5. Available settings for the menu, listed selections.
6. Communication integer value for the selection.  
For use with communication bus interface (only if selection type parameters).
7. Description of selection alternative, setting or range (min - max value).

## Resolution of settings

The resolution for all range settings described in this chapter is 3 significant digits. Exceptions are speed values which are presented with 4 significant digits. Table 21 shows the resolutions for 3 significant digits.

Table 21

3 Digit	Resolution
0.01-9.99	0.01
10.0-99.9	0.1
100-999	1
1000-9990	10
10000-99900	100

### 11.1 Preferred View [100]

This menu is displayed at every power-up. During operation, the menu [100] will automatically be displayed when the keyboard is not operated for 5 minutes. The automatic return function will be switched off when the Toggle and Stop key is pressed simultaneously. As default it displays the reference and current values.

<b>100</b>	<b>0rpm</b>
Stp 	<b>0.0A</b>

Menu "[100] Preferred View" displays the settings made in menu "[110], 1st line", and "[120], 2nd line". See Fig. 85.



<b>100</b>	(1st Line)
Stp 	(2nd Line)

Fig. 85 Display functions

#### 11.1.1 1st Line [110]

Sets the content of the upper row in the menu "[100] Preferred View."

		<b>110 1st Line</b> Stp  <b>Process Val</b>
Default:		Process Val
Dependent on menu		
Process Val	0	Process value
Speed	1	Speed
Torque	2	Torque
Process Ref	3	Process reference
Shaft Power	4	Shaft power
El Power	5	Electrical power
Current	6	Current

Output volt	7	Output voltage
Frequency	8	Frequency
DC Voltage	9	DC voltage
Heatsink Tmp	10	Heatsink temperature
Motor Temp *	11	Motor temperature
AC drive Status	12	AC drive status
Run Time	13	Run Time
Energy	14	Energy
Mains Time	15	Mains time

\* The “Motor temp” is only visible if you have the option PTC/PT100 card installed and a PT100 input is selected in menu[ 236].

#### Communication information

Modbus Instance no/DeviceNet no:	43001
Profibus slot/index	168/160
EtherCAT index (hex)	4bb9
Profinet IO index	19385
Fieldbus format	UInt
Modbus format	UInt

### 11.1.2 2nd Line [120]

Sets the content of the lower row in the menu “[100] Preferred View”. Same selection as in menu [110].

<b>120 2nd Line</b> Stp <b>A</b> <b>Current</b>	
Default:	Current

#### Communication information

Modbus Instance no/DeviceNet no:	43002
Profibus slot/index	168/161
EtherCAT index (hex)	4bba
Profinet IO index	19386
Fieldbus format	UInt
Modbus format	UInt

## 11.2 Main Setup [200]

The Main Setup menu contains the most important settings to get the AC drive operational and set up for the application. It includes different sub menus concerning the control of the unit, motor data and protection, utilities and automatic resetting of faults. This menu will instantaneously be adapted to build in options and show the required settings.

### 11.2.1 Operation [210]

Selections concerning the used motor, AC drive mode, control signals and serial communication are described in this submenu and is used to set the AC drive up for the application.

### Language [211]

Select the language used on the LC Display. Once the language is set, this selection will not be affected by the Load Default command.

<b>211 Language</b> Stp <b>A</b> <b>English</b>		
Default:		English
English	0	English selected
Svenska	1	Swedish selected
Nederlands	2	Dutch selected
Deutsch	3	German selected
Français	4	French selected
Español	5	Spanish selected
Русский	6	Russian selected
Italiano	7	Italian selected
Cesky	8	Czech selected
Turkish	9	Turkish selected

#### Communication information

Modbus Instance no/DeviceNet no:	43011
Profibus slot/index	168/170
EtherCAT index (hex)	4bc3
Profinet IO index	19395
Fieldbus format	UInt
Modbus format	UInt

## Select Motor [212]

This menu is used if you have more than one motor in your application. Select the motor to define. It is possible to define up to four different motors, M1 to M4, in the AC drive. For parameter set handling including Motor sets M1 - M4 see Chapter 11.2.6 page 97

212 Select Motor		Stp <b>A</b>	M1
Default:	M1		
M1	0	Motor Data is connected to selected motor.	
M2	1		
M3	2		
M4	3		

### Communication information

Modbus Instance no/DeviceNet no:	43012
Profibus slot/index	168/171
EtherCAT index (hex)	4bc4
Profinet IO index	19396
Fieldbus format	UInt
Modbus format	UInt

## Drive Mode [213]

This menu is used to set the control mode for the motor. Settings for the reference signals and read-outs is made in menu "Process source, [321]".

- V/Hz Mode (output speed [712] in rpm) .

213 Drive Mode		Stp <b>A</b>	V/Hz
Default:	V/Hz		
V/Hz	2	<p>All control loops are related to frequency control. In this mode multi-motor applications are possible.</p> <p><b>NOTE: All the functions and menu read-outs with regard to speed and rpm (e.g. Max Speed = 1500 rpm, Min Speed=0 rpm, etc.) remain speed and rpm, although they represent the output frequency.</b></p>	

### Communication information

Modbus Instance no/DeviceNet no:	43013
Profibus slot/index	168/172
EtherCAT index (hex)	4bc5
Profinet IO index	19397
Fieldbus format	UInt
Modbus format	UInt

## Reference control [214]

To control the speed of the motor, the AC drive needs a reference signal. This reference signal can be controlled by a remote source from the installation, the keyboard of the AC drive, or by serial or fieldbus communication. Select the required reference control for the application in this menu.

214 Ref Control		Stp <b>A</b>	Remote
Default:	Remote		
Remote	0	The reference signal comes from the analogue inputs of the terminal strip (terminals 1-22).	
Keyboard	1	Reference is set with the + and - keys on the Control Panel. Can only be done in menu "Set/View reference [310]".	
Com	2	The reference is set via the serial communication (RS 485, Fieldbus.) See section 10.5, page 78 for further information.	
Option	3	The reference is set via an option. Only available if the option can control the reference value.	

**NOTE: If the reference is switched from Remote to Keyboard, the last remote reference value will be the default value for the control panel.**

### Communication information

Modbus Instance no/DeviceNet no:	43014
Profibus slot/index	168/173
EtherCAT index (hex)	4bc6
Profinet IO index	19398
Fieldbus format	UInt
Modbus format	UInt

## Run/Stop Control [215]

This function is used to select the source for run and stop commands. This is described on page 125.

Start/stop via analogue signals can be achieved by using function “Stp<MinSpd [342]”.

215 Run/Stp Ctrl Stp <b>A</b> Remote		
Default:	Remote	
Remote	0	The start/stop signal comes from the digital inputs of the terminal strip (terminals 1-22). For settings, see menu group [330] and [520].
Keyboard	1	Start and stop is set on the Control Panel.
Com	2	The start/stop is set via the serial communication (RS 485, Fieldbus.) See Fieldbus or RS232/485 option manual for details.
Option	3	The start/stop is set via an option.

### Communication information

Modbus Instance no/DeviceNet no:	43015
Profibus slot/index	168/174
EtherCAT index (hex)	4bc7
Profinet IO index	19399
Fieldbus format	UInt
Modbus format	UInt

## Reset Control [216]

When the AC drive is stopped due to a failure, a reset command is required to make it possible to restart the AC drive. Use this function to select the source of the reset signal.

216 Reset Ctrl Stp <b>A</b> Remote		
Default:	Remote	
Remote	0	The command comes from the inputs of the terminal strip (terminals 1-22).
Keyboard	1	The command comes from the command keys of the Control Panel.
Com	2	The command comes from the serial communication (RS 485, Fieldbus).
Remote + Keyb	3	The command comes from the inputs of the terminal strip (terminals 1-22) or the keyboard.
Com + Keyb	4	The command comes from the serial communication (RS485, Fieldbus) or the keyboard.
Rem+Keyb +Com	5	The command comes from the inputs of the terminal strip (terminals 1-22), the keyboard or the serial communication (RS485, Fieldbus).
Option	6	The command comes from an option. Only available if the option can control the reset command.

### Communication information

Modbus Instance no/DeviceNet no:	43016
Profibus slot/index	168/175
EtherCAT index (hex)	4bc8
Profinet IO index	19400
Fieldbus format	UInt
Modbus format	UInt



## Local/Remote key function [217]

The Toggle key on the keyboard, see section 9.2.5, page 73, has two functions and is activated in this menu. As default the key is just set to operate as a Toggle key that moves you easily through the menus in the toggle loop. The second function of the key allows you to easily swap between Local and normal operation (set up via [214] and [215]) of the AC drive. Local mode can also be activated via a digital input. If both [2171] and [2172] is set to Standard, the function is disabled.

<b>2171 LocRefCtrl</b>		
Stp <b>A</b> <b>Standard</b>		
Default:	Standard	
Standard	0	Local reference control set via [214]
Remote	1	Local reference control via remote
Keyboard	2	Local reference control via keyboard
Com	3	Local reference control via communication

### Communication information

Modbus Instance no/DeviceNet no:	43009
Profibus slot/index	168/168
EtherCAT index (hex)	4bc1
Profinet IO index	19393
Fieldbus format	UInt
Modbus format	UInt

<b>2172 LocRunCtrl</b>		
Stp <b>A</b> <b>Standard</b>		
Default:	Standard	
Standard	0	Local Run/Stop control set via [215]
Remote	1	Local Run/Stop control via remote
Keyboard	2	Local Run/Stop control via keyboard
Com	3	Local Run/Stop control via communication

### Communication information

Modbus Instance no/DeviceNet no:	43010
Profibus slot/index	168/169
EtherCAT index (hex)	4bc2
Profinet IO index	19394
Fieldbus format	UInt
Modbus format	UInt

## Lock Code? [218]

To prevent the keyboard being used or to change the setup of the AC drive and/or process control, the keyboard can be locked with a password. This menu, "Lock Code [218]", is used to lock and unlock the keyboard. Enter the password "291" to lock/unlock the keyboard operation. If the keyboard is not locked (default) the selection "Lock Code?" will appear. If the keyboard is already locked, the selection "Unlock Code?" will appear.

When the keyboard is locked, parameters can be viewed but not changed. The reference value can be changed and the AC drive can be started, stopped and reversed if these functions are set to be controlled from the keyboard.

<b>218 Lock Code?</b>	
Stp <b>A</b> <b>0</b>	
Default:	0
Range:	0-9999

### Communication information

Modbus Instance no/DeviceNet no:	43018
Profibus slot/index	168/177
EtherCAT index (hex)	4bca
Profinet IO index	19402
Fieldbus format	UInt, 1=1
Modbus format	UInt

## Rotation [219]

### Overall limitation of motor rotation direction

This function limits the overall rotation, either to left or right or both directions. This limit is prior to all other selections, e.g.: if the rotation is limited to right, a Run-Left command will be ignored. To define left and right rotation we assume that the motor is connected U-U, V-V and W-W.

### Speed Direction and Rotation

The speed direction can be controlled by:

- RunR/RunL commands on the control panel.
- RunR/RunL commands on the terminal strip (terminals 1-22).
- Via the serial interface options.
- The parameter sets.

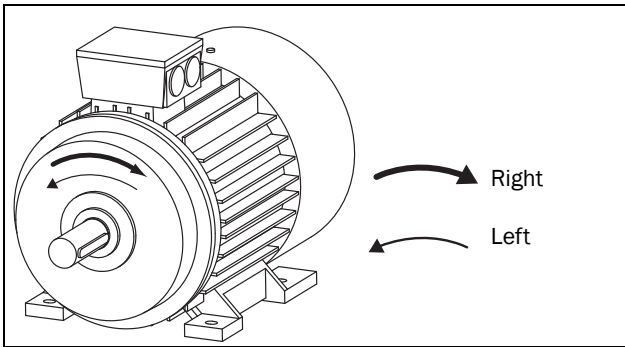


Fig. 86 Rotation

In this menu you set the general rotation for the motor.

<b>219 Rotation</b> Stp <b>A</b> <span style="float: right;">R+L</span>		
Default:		R + L
R	1	Speed direction is limited to right rotation. The input and key RunL are disabled.
L	2	Speed direction is limited to left rotation. The input and key RunR are disabled.
R+L	3	Both speed directions allowed.

Communication information

Modbus Instance no/DeviceNet no:	43019
Profibus slot/index	168/178
EtherCAT index (hex)	4bcb
Profinet IO index	19403
Fieldbus format	UInt
Modbus format	UInt

### 11.2.2 Remote Signal Level/Edge [21A]

In this menu you select the way to control the inputs for RunR, RunL and Reset that are operated via the digital inputs on the terminal strip. The inputs are default set for level-control, and will be active as long as the input is made and kept high. When edge-control is selected, the input will be activated by the low to high transition of the input. See Chapter 7.2 page 56 for more information.

<b>21A Level/Edge</b> Stp <b>A</b> <span style="float: right;">Level</span>		
Default:		Level
Level	0	The inputs are activated or deactivated by a continuous high or low signal. Is commonly used if, for example, a PLC is used to operate the AC drive.
Edge	1	The inputs are activated by a transition; for Run and Reset from "low" to "high" and for Stop from "high" to "low".

Communication information

Modbus Instance no/DeviceNet no:	43020
Profibus slot/index	168/179
EtherCAT index (hex)	4bcc
Profinet IO index	19404
Fieldbus format	UInt
Modbus format	UInt



**CAUTION!**  
Level controlled inputs **DO NOT** comply with the Machine Directive if the inputs are directly used to start and stop the machine.

**NOTE:** Edge controlled inputs can comply with the Machine Directive (see the Chapter 8. page 69) if the inputs are directly used to start and stop the machine.

## 11.2.3 Mains supply voltage [21B]



### WARNING!

This menu must be set according to the AC drive product label and the supply voltage used. Wrong setting might damage the AC drive or brake resistor.

In this menu the nominal mains supply voltage connected to the AC drive can be selected. The setting will be valid for all parameter sets. The default setting, Not defined, is never selectable and is only visible until a new value is selected.

Once the supply voltage is set, this selection will not be affected by the Load Default command [243].

Brake chopper activation level is adjusted using the setting of [21B].

**NOTE: The setting is affected by the “Load from CP” command [245] and if loading parameter file via EmoSoftCom.**

21B Supply Volts Stp <b>A</b> Not defined		
Default:		Not defined
Not Defined	0	Inverter default value used. Only valid if this parameter is never set.
220-240 V	1	Only valid for FDU48/52
380-415 V	3	Only valid for FDU48/52/69
440-480 V	4	Only valid for FDU48/52/69
500-525 V	5	Only valid for FDU52/69
550-600 V	6	Only valid for FDU69
660-690 V	7	Only valid for FDU69

### Communication information

Modbus Instance no/DeviceNet no:	43381
Profibus slot/index	170/30
EtherCAT index (hex)	4d35
Profinet IO index	19765
Fieldbus format	UInt
Modbus format	UInt

## 11.2.4 Motor Data [220]

In this menu you enter the motor data to adapt the AC drive to the connected motor. This will increase the control accuracy as well as different read-outs and analogue output signals.

Motor M1 is selected as default and motor data entered will be valid for motor M1. If you have more than one motor you need to select the correct motor in menu [212] before entering motor data.

**NOTE 1: The parameters for motor data cannot be changed during run mode.**

**NOTE 2: The default settings are for a standard 4-pole motor according to the nominal power of the AC drive.**

**NOTE 3: Parameter set cannot be changed during run if the sets is set for different motors.**

**NOTE 4: Motor Data in the different sets M1 to M4 can be revert to default setting in menu “[243] Default>Set”.**



### WARNING!

Enter the correct motor data to prevent dangerous situations and assure correct control.

## Motor Voltage [221]

Set the nominal motor voltage.

221 Motor Volts Stp <b>A</b> M1: 400V	
Default:	400 V for FDU48 500 V for FDU52 690 V for FDU69
Range:	100-700 V
Resolution	1 V


**NOTE: The Motor Volts value will always be stored as a 3 digit value with a resolution of 1 V.**

### Communication information

Modbus Instance no/DeviceNet no:	43041
Profibus slot/index	168/200
EtherCAT index (hex)	4be1
Profinet IO index	19425
Fieldbus format	Long, 1=0.1 V
Modbus format	EInt

## Motor Frequency [222]

Set the nominal motor frequency.


	<b>222 Motor Freq</b> Stp <b>A</b> M1 :            50Hz
Default:	50 Hz
Range:	24-300 Hz
Resolution	1 Hz

### Communication information

Modbus Instance no/DeviceNet no:	43042
Profibus slot/index	168/201
EtherCAT index (hex)	4be2
Profinet IO index	19426
Fieldbus format	Long, 1=1 Hz
Modbus format	Elnt

## Motor Power [223]

Set the nominal motor power. If parallel motors, set the value as sum of motors power. The nominal motorpower must be within the range of 1 - 150% of the AC drives nominal power.

	<b>223 Motor Power</b> Stp <b>A</b> M1 :            ( $P_{NOM}$ ) kW
Default:	$P_{NOM}$ AC drive
Range:	1-150 % x $P_{NOM}$
Resolution	3 significant digits

**NOTE: The Motor Power value will always be stored as a 3 digit value in W up to 999 W and in kW for all higher powers.**


### Communication information

Modbus Instance no/DeviceNet no:	43043
Profibus slot/index	168/202
EtherCAT index (hex)	4be3
Profinet IO index	19427
Fieldbus format	Long, 1=1 W
Modbus format	Elnt

$P_{NOM}$  is the nominal AC drive power.

## Motor Current [224]

Set the nominal motor current. If parallel motors, set the value as sum of motors current.

	<b>224 Motor Curr</b> Stp <b>A</b> M1 :            ( $I_{MOT}$ ) A
Default:	$I_{MOT}$ (see Note 2 page 87)
Range:	25 - 150 % x $I_{NOM}$


### Communication information

Modbus Instance no/DeviceNet no:	43044
Profibus slot/index	168/203
EtherCAT index (hex)	4be4
Profinet IO index	19428
Fieldbus format	Long, 1=0.1 A
Modbus format	Elnt

**NOTE: The default settings are for a standard 4-pole motor according to the nominal power of the AC drive.**

## Motor Speed [225]

Set the nominal asynchronous motor speed.

	<b>225 Motor Speed</b> Stp <b>A</b> M1 :            ( $n_{MOT}$ ) rpm
Default:	$n_{MOT}$ (see Note 2 page 87)
Range:	50 - 18000 rpm
Resolution	1 rpm, 4 sign digits



**WARNING!**  
Do NOT enter a synchronous (no-load) motor speed.

**NOTE: Maximum speed [343] is not automatically changed when the motor speed is changed.**


**NOTE: Entering a wrong, too low value can cause a dangerous situation for the driven application due to high speeds.**

### Communication information

Modbus Instance no/DeviceNet no:	43045
Profibus slot/index	168/204
EtherCAT index (hex)	4be5
Profinet IO index	19429
Fieldbus format	UInt. 1=1 rpm
Modbus format	UInt

## Motor Poles [226]

When the nominal speed of the motor is  $\leq 500$  rpm, the additional menu for entering the number of poles, [226], appears automatically. In this menu the actual pole number can be set which will increase the control accuracy of the AC drive.


 <div style="border: 2px solid black; padding: 2px; display: inline-block;"> <b>226 Motor Poles</b>                  Stp <b>A</b>M1 : <span style="float: right;">4</span> </div>	
Default:	4
Range:	2-144

### Communication information

Modbus Instance no/DeviceNet no:	43046
Profibus slot/index	168/205
EtherCAT index (hex)	4be6
Profinet IO index	19430
Fieldbus format	Long, 1=1 pole
Modbus format	Elnt

## Motor Cos $\phi$ [227]

Set the nominal Motor cosphi (power factor).


 <div style="border: 2px solid black; padding: 2px; display: inline-block;"> <b>227 Motor Cos<math>\phi</math></b>                  Stp <b>A</b>M1 : <b>Cos<math>\phi</math>NOM</b> </div>	
Default:	Cos $\phi$ NOM (see Note 2 page 87)
Range:	0.50 - 1.00

### Communication information

Modbus Instance no/DeviceNet no:	43047
Profibus slot/index	168/206
EtherCAT index (hex)	4be7
Profinet IO index	19431
Fieldbus format	Long, 1=0.01
Modbus format	Elnt

## Motor ventilation [228]

Parameter for setting the type of motor ventilation. Affects the characteristics of the  $I^2t$  motor protection by lowering the actual overload current at lower speeds.

 <div style="border: 2px solid black; padding: 2px; display: inline-block;"> <b>228 Motor Vent</b>                  Stp <b>A</b>M1 : <span style="float: right;">Self</span> </div>		
Default:	Self	
None	0	Limited $I^2t$ overload curve.
Self	1	Normal $I^2t$ overload curve. Means that the motor stands lower current at low speed.
Forced	2	Expanded $I^2t$ overload curve. Means that the motor stands almost the whole current also at low speed.

### Communication information

Modbus Instance no/DeviceNet no:	43048
Profibus slot/index	168/207
EtherCAT index (hex)	4be8
Profinet IO index	19432
Fieldbus format	UInt
Modbus format	UInt

When the motor has no cooling fan, None is selected and the current level is limited to 55% of rated motor current.

With a motor with a shaft mounted fan, Self is selected and the current for overload is limited to 87% from 20% of synchronous speed. At lower speed, the overload current allowed will be smaller.

When the motor has an external cooling fan, Forced is selected and the overload current allowed starts at 90% from rated motor current at zero speed, up to nominal motor current at 70% of synchronous speed.

Fig. 87 shows the characteristics with respect for Nominal Current and Speed in relation to the motor ventilation type selected.

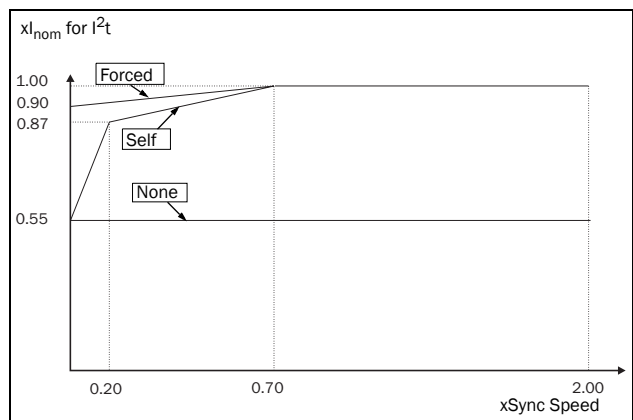



Fig. 87  $I^2t$  curves

## Motor Identification Run [229]

This function is used when the AC drive is put into operation for the first time. To achieve an optimal control performance, fine tuning of the motor parameters using a motor ID run is needed. During the test run the display shows “Test Run” flashing.

To activate the Motor ID run, select “Short” and press Enter. Then press RunL or RunR on the control panel to start the ID run. If menu “[219] Rotation” is set to L the RunR key is inactive and vice versa. The ID run can be aborted by giving a Stop command via the control panel or Enable input. The parameter will automatically return to OFF when the test is completed. The message “Test Run OK!” is displayed. Before the AC drive can be operated normally again, press the STOP/RESET key on the control panel.

During the Short ID run the motor shaft does not rotate. The AC drive measures the rotor and stator resistance.

 <div style="border: 2px solid black; padding: 2px; display: inline-block;"> <b>229 Motor ID-Run</b>                  Stp <b>A</b>M1 :            <b>Off</b> </div>	
Default:	Off, see Note
Off	0 Not active
Short	1 Parameters are measured with injected DC current. No rotation of the shaft will occur.

### Communication information


Modbus Instance no/DeviceNet no:	43049
Profibus slot/index	168/208
EtherCAT index (hex)	4be9
Profinet IO index	19433
Fieldbus format	UInt
Modbus format	UInt

**NOTE: To run the AC drive it is not mandatory for the ID RUN to be executed, but without it the performance will not be optimal.**

**NOTE: If the ID Run is aborted or not completed the message “Interrupted!” will be displayed. The previous data do not need to be changed in this case. Check that the motor data are correct.**

## Motor Sound [22A]

Sets the sound characteristic of the AC drive output stage by changing the switching frequency and/or pattern. Generally the motor noise will go down at higher switching frequencies.

 <div style="border: 2px solid black; padding: 2px; display: inline-block;"> <b>22A Motor Sound</b>                  Stp <b>A</b>M1 :            <b>F</b> </div>	
Default:	F
E	0 Switching frequency 1.5 kHz
F	1 Switching frequency 3 kHz
G	2 Switching frequency 6 kHz
H	3 Switching frequency 6 kHz, random frequency ( $\pm 750$ Hz)
Advanced	4 Switching frequency and PWM mode setup via [22E]

### Communication information


Modbus Instance no/DeviceNet no:	43050
Profibus slot/index	168/209
EtherCAT index (hex)	4bea
Profinet IO index	19434
Fieldbus format	UInt
Modbus format	UInt

**NOTE: At switching frequencies >3 kHz derating may become necessary.**

**NOTE: If the heat sink temperature gets too high the switching frequency is decreased to avoid tripping. This is done automatically in the AC drive. The default switching frequency is 3 kHz.**

## Encoder Feedback [22B]

Only visible if the Encoder option board is installed. This parameter enables or disables the encoder feedback from the motor to the AC drive.



 <div style="border: 2px solid black; padding: 2px; display: inline-block;"> <b>22B Encoder</b>                  Stp <b>A</b>M1 :            <b>Off</b> </div>	
Default:	Off
Off	0 Encoder feedback disabled
On	1 Encoder feedback enabled

### Communication information

Modbus Instance no/DeviceNet no:	43051
Profibus slot/index	168/210
EtherCAT index (hex)	4beb
Profinet IO index	19435
Fieldbus format	UInt
Modbus format	UInt

## Encoder Pulses [22C]

Only visible if the Encoder option board is installed. This parameter describes the number of pulses per rotation for your encoder, i.e. it is encoder specific. For more information please see the encoder manual.


 <div style="border: 2px solid black; padding: 2px; display: inline-block;"> <b>22C Enc Pulses</b>                  Stp  M1 :      1024             </div>	
Default:	1024
Range:	5-16384

### Communication information

Modbus Instance no/DeviceNet no:	43052
Profibus slot/index	168/211
EtherCAT index (hex)	4bec
Profinet IO index	19436
Fieldbus format	Long, 1=1 pulse
Modbus format	Elnt

## Encoder Speed [22D]

Only visible if the Encoder option board is installed. This parameter shows the measured motor speed. To check if the encoder is correctly installed, set Encoder Feedback [22B] to Off, run the AC drive at any speed and compare with the value in this menu. The value in this menu [22D] should be about the same as the motor speed [230]. If you get the wrong sign for the value, swap encoder input A and B.

<div style="border: 2px solid black; padding: 2px; display: inline-block;"> <b>22D Enc Speed</b>                  Stp  M1 :      XXrpm             </div>	
Unit:	rpm
Resolution:	speed measured via the encoder

### Communication information

Modbus Instance no/DeviceNet no:	42911
Profibus slot/index	168/70
EtherCAT index (hex)	4b5f
Profinet IO index	19295
Fieldbus format	Int, 1=1 rpm
Modbus format	Int


## Motor PWM [22E]

Menus for advanced setup of motor modulation properties (PWM = Pulse Width Modulation).

**Note: Menus [22E1] - [22E3] are only visible if [22A] is set to "Advanced".**

### PWM Fswitch [22E1]


Set the PWM switching frequency of the AC drive

<div style="border: 2px solid black; padding: 2px; display: inline-block;"> <b>22E1 PWM Fswitch</b>                  Stp       3.00kHz             </div>	
Default:	3.00 kHz
Range	1.50 - 6.00kHz
Resolution	0.01kHz

### Communication information

Modbus Instance no/DeviceNet no:	43053
Profibus slot/index	168/212
EtherCAT index (hex)	4bed
Profinet IO index	19437
Fieldbus format	Long, 1=1Hz
Modbus format	Elnt

### PWM Mode [22E2]

<div style="border: 2px solid black; padding: 2px; display: inline-block;"> <b>22E2 PWM Mode</b>                  Stp       Standard             </div>		
Default:	Standard	
Standard	0	Standard
Sine Filt	1	Sine Filter mode for use with output Sine Filters

**NOTE: Switching frequency is fixed when "Sine Filt" is selected. This means that it is not possible to control the switching frequency based on temperature.**

### Communication information

Modbus Instance no/DeviceNet no:	43054
Profibus slot/index	168/213
EtherCAT index (hex)	4bee
Profinet IO index	19438
Fieldbus format	UInt
Modbus format	UInt

## PWM Random [22E3]

<b>22E3 PWM Random</b> Stp <b>A</b> <span style="float: right;">Off</span>	
Default:	Off
Off	0 Random modulation is Off.
On	1 Random modulation is active. Random frequency variation range is $\pm 1/8$ of level set in [E22E1].

### Communication information

Modbus Instance no/DeviceNet no:	43055
Profibus slot/index	168/214
EtherCAT index (hex)	4bef
Profinet IO index	19439
Fieldbus format	UInt
Modbus format	UInt

## Encoder Pulse counter [22F]

Only visible if the Encoder option is installed. Added menu/parameter for accumulated QEP (Quadrature Encoder Pulse) encoder pulses. Can be preset to any value within bus format used (Int = 2 byte, Long = 4 byte).

<b>22F Enc Puls Ctr</b> Stp <b>A</b> <span style="float: right;">0</span>	
Default:	0
Resolution	1

### Communication information

Modbus Instance no/DeviceNet no:	42912
Profibus slot/index	168/71
EtherCAT index (hex)	4b60
Profinet IO index	19296
Fieldbus format	Long, 1=1 quad encoder pulse
Modbus format	Int

**Note: For a 1024 pulse encoder [22F] will count  $1024 * 4 = 4096$  pulses per turn.**

## Encoder fault and speed monitoring [22G]

Parameters for encoder fault monitoring and speed supervision by use of the encoder feedback for detecting speed deviation compared to internal speed reference signal. Similar speed deviation functionality is also available in the Crane option, with parameters for speed bandwidth and delay time.

Encoder fault trip conditions:

1. No encoder board detected after power up and AC drive is setup to use encoder.
2. Lost communication to encoder board for more than 2 seconds.
3. If no pulses detected for set delay time [22G1] and drive in Torque Limit (TL) or Current Limit (CL).

Encoder speed deviation trip condition:

Encoder speed outside set speed deviation band [22G2] for set delay time [22G1].

---

**Note: Encoder speed deviation trip re-uses "Deviation 2" trip message with ID = 2.**

---

## Encoder fault delay time [22G1]

Define the encoder fault and speed deviation delay time.

<b>22G1 Enc F Delay</b> Stp <b>A</b> <span style="float: right;">M1: Off</span>	
Default:	Off
Range	Off, 0.01 - 10.00 s where Off = 0

### Communication information

Modbus Instance no/DeviceNet no:	43056
Profibus slot/index	168/215
EtherCAT index (hex)	4bf0
Profinet IO index	19440
Fieldbus format	Long, 1=0.01 s
Modbus format	Elnt

## Encoder fault speed deviation band [22G2]

Defines the max allowed speed deviation band = difference between measured encoder speed and speed ramp output.

<b>22G2 Enc F Band</b> Stp <b>A</b> <span style="float: right;">M1: 10%</span>	
Default:	10%
Range	0 - 400 %



### Communication information

Modbus Instance no/DeviceNet no:	43057
Profibus slot/index	168/216
EtherCAT index (hex)	4bf1
Profinet IO index	19441
Fieldbus format	Long, 1=1 %
Modbus format	Elnt

### Encoder max fault counter [22G3]

This is a measured signal showing the maximum time that the speed deviation has exceeded the allowed speed deviation band level, set in [22G2]. The parameter is intended to be used during commissioning for setting up [22G1] and [22G2] to avoid nuisance trips and can be cleared by setting it to 0.

<b>22G3 Max EncFCtr</b>	
<b>Stp 0.000s</b>	
Default:	0.000s
Range	0.00 - 10.00 s

### Communication information

Modbus Instance no/DeviceNet no:	42913
Profibus slot/index	168/78
EtherCAT index (hex)	4b61
Profinet IO index	19297
Fieldbus format	Long, 1=0.001s
Modbus format	Elnt

**NOTE: The value is volatile and lost at power down. It is possible to reset the value by clearing the parameter.**

## 11.2.5 Motor Protection [230]

This function protects the motor against overload based on the standard IEC 60947-4-2.

### Motor I<sup>2</sup>t Type [231]

The motor protection function makes it possible to protect the motor from overload as published in the standard IEC 60947-4-2. It does this using Motor I2t Current, [232] as a reference. The Motor I2t Time [233] is used to define the time behaviour of the function. The current set in [232] can be delivered infinite in time. If for instance in [233] a time of 1000 s is chosen the upper curve of Fig. 88 is valid. The value on the x-axis is the multiple of the current chosen in [232]. The time [233] is the time that an overloaded motor is switched off or is reduced in power at 1.2 times the current set in [232].

<b>231 Mot I<sup>2</sup>t Type</b>		
<b>Stp <b>A</b> Trip</b>		
Default:	Trip	
Off	0	I <sup>2</sup> t motor protection is not active.
Trip	1	When the I <sup>2</sup> t time is exceeded, the AC drive will trip on "Motor I <sup>2</sup> t".
Limit	2	This mode helps to keep the inverter running when the Motor I2t function is just before tripping the AC drive. The trip is replaced by current limiting with a maximum current level set by the value out of the menu [232]. In this way, if the reduced current can drive the load, the AC drive continues running. If there is no reduction in thermal load, the drive will trip.

### Communication information

Modbus Instance no/DeviceNet no:	43061
Profibus slot/index	168/220
EtherCAT index (hex)	4bf5
Profinet IO index	19445
Fieldbus format	UInt
Modbus format	UInt

**NOTE: When Mot I2t Type=Limit, the AC drive can control the speed < MinSpeed to reduce the motor current.**

## Motor I<sup>2</sup>t Current [232]

Sets the current limit for the motor I<sup>2</sup>t protection.

<b>232 Mot I<sup>2</sup>t Curr</b> Stp <b>A</b> <span style="float: right;">100%</span>	
Default:	100% of I <sub>MOT</sub>
Range:	0–150% of I <sub>MOT</sub> ( set in menu [224])

### Communication information

Modbus Instance no/DeviceNet no:	43062
Profibus slot/index	168/221
EtherCAT index (hex)	4bf6
Profinet IO index	19446
Fieldbus format	Long, 1=1%
Modbus format	Elnt

**NOTE: When the selection Limit is set in menu [231], the value must be above the no-load current of the motor.**

## Motor I<sup>2</sup>t Time [233]

Sets the time of the I<sup>2</sup>t function. After this time the limit for the I<sup>2</sup>t is reached if operating with 120% of the I<sup>2</sup>t current value. Valid when start from 0 rpm.

**NOTE: Not the time constant of the motor.**

<b>233 Mot I<sup>2</sup>t Time</b> Stp <b>A</b> <span style="float: right;">60s</span>	
Default:	60 s
Range:	60–1200 s

### Communication information

Modbus Instance no/DeviceNet no:	43063
Profibus slot/index	168/222
EtherCAT index (hex)	4bf7
Profinet IO index	19447
Fieldbus format	Long, 1=1 s
Modbus format	Elnt

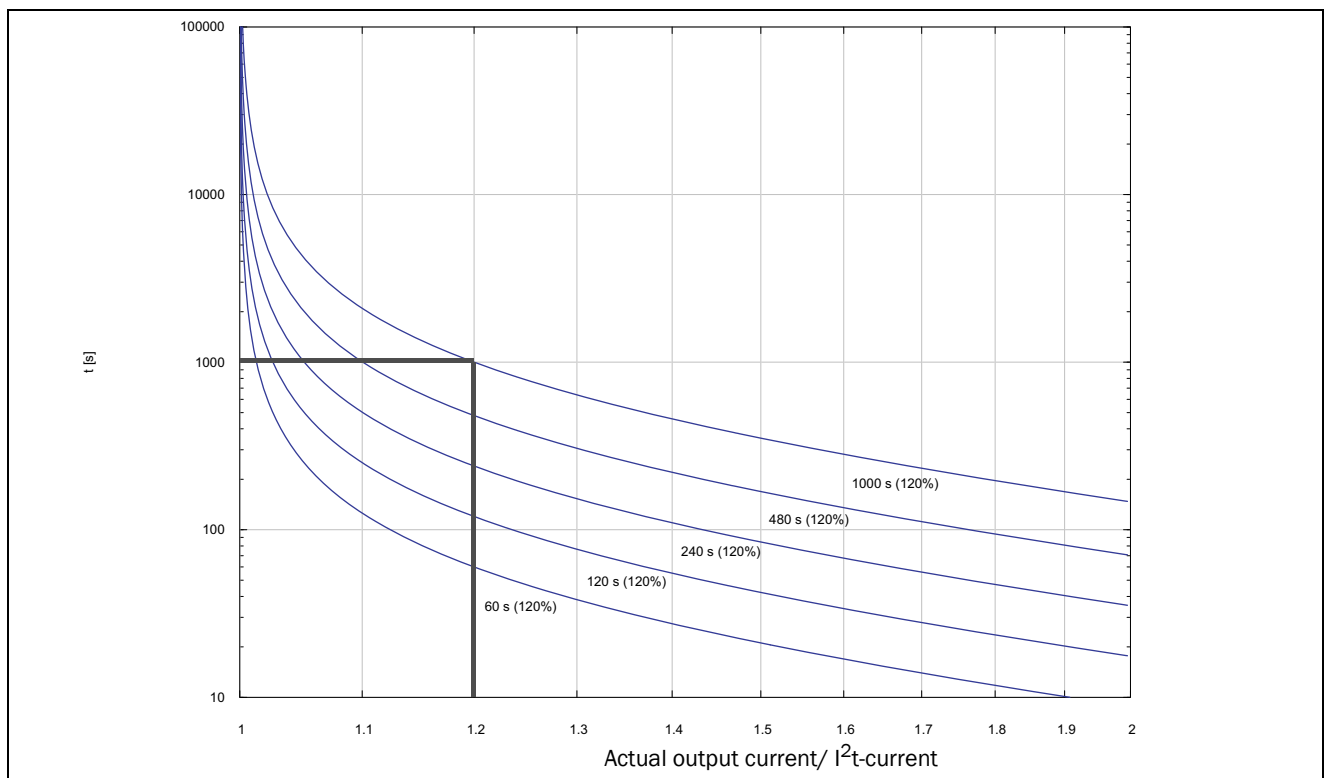


Fig. 88 I<sup>2</sup>t function

Fig. 88 shows how the function integrates the square of the motor current according to the “Mot I<sup>2</sup>t Curr [232]” and the “Mot I<sup>2</sup>t Time [233]”.

When the selection Trip is set in menu [231] the AC drive trips if this limit is exceeded.

When the selection Limit is set in menu [231] the AC drive reduces the torque if the integrated value is 95% or closer to the limit, so that the limit cannot be exceeded.

**NOTE: If it is not possible to reduce the current, the AC drive will trip after exceeding 110% of the limit.**

### Example

In Fig. 88 the thick grey line shows the following example.

- Menu “[232] Mot I<sup>2</sup>t Curr” is set to 100%.  
1.2 x 100% = 120%
- Menu “[233] Mot I<sup>2</sup>t Time” is set to 1000 s.

This means that the AC drive will trip or reduce after 1000 s if the current is 1.2 times of 100% nominal motor current.

### Thermal Protection [234]

Only visible if the PTC/PT100 option board is installed. Set the PTC input for thermal protection of the motor. The motor thermistors (PTC) must comply with DIN 44081/44082. Please refer to the manual for the PTC/PT100 option board.

Menu [234] Thermal Prot’ contains functions to enable or disable the PTC input. Here you can select and activate PTC and/or PT100.

234 Thermal Prot Stp <b>A</b> Off		
Default:	Off	
Off	0	PTC and PT100 motor protection are disabled.
PTC	1	Enables the PTC protection of the motor via the insulated option board.
PT100	2	Enables the PT100 protection for the motor via the insulated option board.
PTC+PT100	3	Enables the PTC protection as well as the PT100 protection for the motor via the insulated option board.

#### Communication information

Modbus Instance no/DeviceNet no:	43064
Profibus slot/index	168/223
EtherCAT index (hex)	4bf8
Profinet IO index	19448
Fieldbus format	UInt
Modbus format	UInt

**NOTE: PTC option and PT100 selections can only be selected in menu [234] if the option board is mounted.**

**NOTE: If you select the PTC option, the PT100 inputs as motor protection are ignored.**

### Motor Class [235]

Only visible if the PTC/PT100 option board is installed. Set the class of motor used. The trip levels for the PT100 sensor will automatically be set according to the setting in this menu.

235 Mot Class Stp <b>A</b> F 140°C		
Default:	F 140°C	
A 100°C	0	
E 115°C	1	
B 120°C	2	
F 140°C	3	
F Nema 145°C	4	
H 165°C	5	

#### Communication information

Modbus Instance no/DeviceNet no:	43065
Profibus slot/index	168/224
EtherCAT index (hex)	4bf9
Profinet IO index	19449
Fieldbus format	UInt
Modbus format	UInt

**NOTE: This menu is only valid for PT 100.**

## PT100 Inputs [236]

Sets which of PT100 inputs that should be used for thermal protection. Deselecting not used PT100 inputs on the PTC/PT100 option board in order to ignore those inputs, i.e. extra external wiring is not needed if port is not used.

<div style="border: 2px solid black; padding: 2px; display: inline-block;"> <b>236 PT100 Inputs</b>                      Stp <b>A</b>      <b>PT100 1+2+3</b> </div>		
Default:	PT100 1+2+3	
Selection:	PT100 1, PT100 2, PT100 1+2, PT100 3, PT100 1+3, PT100 2+3, PT100 1+2+3	
PT100 1	1	Channel 1 used for PT100 protection
PT100 2	2	Channel 2 used for PT100 protection
PT100 1+2	3	Channel 1+2 used for PT100 protection
PT100 3	4	Channel 3 used for PT100 protection
PT100 1+3	5	Channel 1+3 used for PT100 protection
PT100 2+3	6	Channel 2+3 used for PT100 protection
PT100 1+2+3	7	Channel 1+2+3 used for PT100 protection

### Communication information

Modbus Instance no/DeviceNet no:	43066
Profibus slot/index	168/225
EtherCAT index (hex)	4bfa
Profinet IO index	19450
Fieldbus format	UInt
Modbus format	UInt

**NOTE: This menu is only valid for PT 100 thermal protection if PT100 is enabled in menu [234].**

## Motor PTC [237]

For AC drive sizes B to D (FDU48/52-003-074) there is optional possibility to directly connect motor PTC (not to be mixed up with PTC/PT100 option board, see Chapter 13.7 page 205).

In this menu the internal motor PTC hardware option is enabled. This PTC input complies with DIN 44081/44082. For electrical specification please refer to the separate manual for the PTC/PT100 option board, same data applies (could be found on [www.emotron.com/www.cgglobal.com](http://www.emotron.com/www.cgglobal.com)).

This menu is only visible if a PTC (or resistor <2 kOhm) is connected to terminals X1: 78–79. See Chapter 4.5 page 43 and Chapter 4.5.1 page 43.

**NOTE: This function is not related to PTC/PT100 option board.**

To enable the function:

1. Connect the thermistor wires to X1: 78–79 or for testing the input, connect a resistor to the terminals. Use resistor value between 50 and 2000 ohm. Menu [237] will now appear.
2. Enable input by setting menu “[237] Motor PTC”=On.

If enabled and <50 ohm a sensor error trip will occur. The fault message “Motor PTC” is shown.

If the function is disabled and the PTC or resistor is removed, the menu will disappear after the next power on

<div style="border: 2px solid black; padding: 2px; display: inline-block;"> <b>237 Motor PTC</b>                      Stp <b>A</b>                      <b>Off</b> </div>		
Default:	Off	
Off	0	Motor PTC protection is disabled
On	1	Motor PTC protection is enabled

### Communication information

Modbus Instance no/DeviceNet no:	43067
Profibus slot/index	168/226
EtherCAT index (hex)	4bfb
Profinet IO index	19451
Fieldbus format	UInt
Modbus format	UInt

## 11.2.6 Parameter Set Handling [240]

There are four different parameter sets available in the AC drive. These parameter sets can be used to set the AC drive up for different processes or applications such as different motors used and connected, activated PID controller, different ramp time settings, etc.

A parameter set consists of all parameters with the exception of the Global parameters. The Global parameters are only able to have one value for all parameter sets.

Following parameters are Global: [211] Language, [217] Local Remote, [218] Lock Code, [220] Motor Data, [241] Select Set, [260] Serial Communication and [21B]Mains Supply Voltage .

**NOTE: Actual timers are common for all sets. When a set is changed the timer functionality will change according to the new set, but the timer value will stay unchanged.**

### Select Set [241]

Here you select the parameter set. Every menu included in the parameter sets is designated A, B, C or D depending on the active parameter set. Parameter sets can be selected from the keyboard, via the programmable digital inputs or via serial communication. Parameter sets can be changed during the run. If the sets are using different motors (M1 to M4) the set will be changed only when the motor is stopped.

241 Select Set		
Stp <b>A</b> <span style="float: right;">A</span>		
Default:		A
Selection:		A, B, C, D, DigIn, Com, Option
A	0	Fixed selection of one of the 4 parameter sets A, B, C or D.
B	1	
C	2	
D	3	
DigIn	4	Parameter set is selected via a digital input. Define which digital input in menu "[520] Digital inputs".
Com	5	Parameter set is selected via serial communication.
Option	6	The parameter set is set via an option. Only available if the option can control the selection.

### Communication information

Modbus Instance no/DeviceNet no:	43022
Profibus slot/index	168/181
EtherCAT index (hex)	4bce
Profinet IO index	19406
Fieldbus format	UInt
Modbus format	UInt

The active set can be viewed with function [721] VSD status.

**NOTE: Parameter set cannot be changed during run if the parameter set includes change of the motor set (M2-M4). In this case always stop the motor before changing parameter set.**

Prepare parameter Set when different Motor data M1 - M4:

1. Select desired parameter Set to be set in [241] A - D.
2. Select "Motor Set [212]" if other than the default Set M1.
3. Set relevant motor data in the Menu group [220].
4. Set other desired parameter settings to belong to this parameter Set.

To prepare a Set for another motor, repeat these steps.

### Copy Set [242]

This function copies the content of a parameter set into another parameter set.

242 Copy Set		
Stp <b>A</b> <span style="float: right;">A&gt;B</span>		
Default:		A>B
A>B	0	Copy set A to set B
A>C	1	Copy set A to set C
A>D	2	Copy set A to set D
B>A	3	Copy set B to set A
B>C	4	Copy set B to set C
B>D	5	Copy set B to set D
C>A	6	Copy set C to set A
C>B	7	Copy set C to set B
C>D	8	Copy set C to set D
D>A	9	Copy set D to set A
D>B	10	Copy set D to set B
D>C	11	Copy set D to set C

### Communication information

Modbus Instance no/DeviceNet no:	43021
Profibus slot/index	168/180
EtherCAT index (hex)	4bcd
Profinet IO index	19405
Fieldbus format	UInt
Modbus format	UInt

**NOTE: The actual value of menu [310] will not be copied into the other set.**

A>B means that the content of parameter set A is copied into parameter set B.

### Load Default Values Into Set [243]

With this function three different levels (factory settings) can be selected for the four parameter sets. When loading the default settings, all changes made in the software are set to factory settings. This function also includes selections for loading default settings to the four different Motor Data Sets.

<div style="border: 2px solid black; padding: 5px; display: inline-block;"> <b>243 Default&gt;Set</b>                  Stp <b>A</b> <span style="float: right;"><b>A</b></span> </div>	
Default:	A
A	0
B	1
C	2
D	3
ABCD	4
Factory	5
M1	6
M2	7
M3	8
M4	9
M1234	10
Only the selected parameter set will revert to its default settings.	
All four parameter sets will revert to the default settings.	
All settings, except [211], [221]-[228], [261] and [923], will revert to the default settings.	
Only the selected motor set will revert to its default settings.	
All four motor sets will revert to default settings.	

### Communication information

Modbus Instance no/DeviceNet no:	43023
Profibus slot/index	168/182
EtherCAT index (hex)	4bcf
Profinet IO index	19407
Fieldbus format	UInt
Modbus format	UInt

**NOTE: Trip log hour counter and other VIEW ONLY menus are not regarded as settings and will be unaffected.**

**NOTE: If "Factory" is selected, the message "Sure?" is displayed. Press the + key to display "Yes" and then Enter to confirm.**

**NOTE: The parameters in menu "[220] Motor data", are not affected by loading defaults when restoring parameter sets A-D.**

### Copy All Settings to Control Panel [244]

All the settings can be copied into the control panel including the motor data. Start commands will be ignored during copying.

<div style="border: 2px solid black; padding: 5px; display: inline-block;"> <b>244 Copy to CP</b>                  Stp <b>A</b> <span style="float: right;"><b>No Copy</b></span> </div>	
Default:	No Copy
No Copy	0
Copy	1
Nothing will be copied	
Copy all settings	

### Communication information

Modbus Instance no/DeviceNet no:	43024
Profibus slot/index	168/183
EtherCAT index (hex)	4bd0
Profinet IO index	19408
Fieldbus format	UInt
Modbus format	UInt

**NOTE: The actual value of menu [310] will not be copied into control panel memory set.**

## Load Settings from Control Panel [245]

This function can load all four parameter sets from the control panel to the AC drive. Parameter sets from the source AC drive are copied to all parameter sets in the target AC drive, i.e. A to A, B to B, C to C and D to D.

Start commands will be ignored during loading.

		245 Load from CP Stp <b>A</b> No Copy
Default:		No Copy
No Copy	0	Nothing will be loaded.
A	1	Data from parameter set A is loaded.
B	2	Data from parameter set B is loaded.
C	3	Data from parameter set C is loaded.
D	4	Data from parameter set D is loaded.
ABCD	5	Data from parameter sets A, B, C and D are loaded.
A+Mot	6	Parameter set A and Motor data are loaded.
B+Mot	7	Parameter set B and Motor data are loaded.
C+Mot	8	Parameter set C and Motor data are loaded.
D+Mot	9	Parameter set D and Motor data are loaded.
ABCD+Mot	10	Parameter sets A, B, C, D and Motor data are loaded.
M1	11	Data from motor 1 is loaded.
M2	12	Data from motor 2 is loaded.
M3	13	Data from motor 3 is loaded.
M4	14	Data from motor 4 is loaded.
M1M2M3 M4	15	Data from motor 1, 2, 3 and 4 are loaded.
All	16	All data is loaded from the control panel.

### Communication information

Modbus Instance no/DeviceNet no:	43025
Profibus slot/index	168/184
EtherCAT index (hex)	4bd1
Profinet IO index	19409
Fieldbus format	UInt
Modbus format	UInt

**NOTE: Loading from the control panel will not affect the value in menu [310].**

## 11.2.7 Trip Autoreset/Trip Conditions [250]

The benefit of this feature is that occasional trips that do not affect the process will be automatically reset. Only when the failure keeps on coming back, recurring at defined times and therefore cannot be solved by the AC drive, will the unit give an alarm to inform the operator that attention is required.

For all trip functions that can be activated by the user you can select to control the motor down to zero speed according to set deceleration ramp to avoid water hammer.

Also see section 12.2, page 198.

### Autoreset example:

In an application it is known that the main supply voltage sometimes disappears for a very short time, a so-called “dip”. That will cause the AC drive to trip an “Undervoltage alarm”. Using the Autoreset function, this trip will be acknowledged automatically.

- Enable the Autoreset function by making the reset input continuously high.
- Activate the Autoreset function in the menu [251], Number of trips.
- Select in menus [252] to [25N] the Trip condition that are allowed to be automatically reset by the Autoreset function after the set delay time has expired.

### Number of Trips [251]

Any number set above 0 activates the Autoreset. This means that after a trip, the AC drive will restart automatically according to the number of attempts selected. No restart attempts will take place unless all conditions are normal.

If the Autoreset counter (not visible) contains more trips than the selected number of attempts, the Autoreset cycle will be interrupted. No Autoreset will then take place.

If there are no trips for more than 10 minutes, the Autoreset counter decreases by one.

If the maximum number of trips has been reached, the trip message hour counter is marked with an “A”.

If the Autoreset is full then the AC drive must be reset by a normal Reset.

### Example:

- Number of allowed autoreset attempts [251]= 5.
- Within 10 minutes 6 trips occur.
- At the 6th trip there is no autoreset, because the autoreset counter is set to allow only 5 attempts to autoreset a trip.
- To reset the autoreset counter, give a new reset command (from one of the sources for reset control selected in menu [216]).
- The autoreset counter is now zeroed.

<b>251 No of Trips</b> Stp <b>A</b> <span style="float: right;">0</span>	
Default:	0 (no Autoreset)
Range:	0-10 attempts

#### Communication information

Modbus Instance no/DeviceNet no:	43071
Profibus slot/index	168/230
EtherCAT index (hex)	4bff
Profinet IO index	19455
Fieldbus format	UInt, 1=1
Modbus format	UInt

**NOTE: An auto reset is delayed by the remaining ramp time.**

### Over temperature [252]

Delay time starts counting when the fault is gone. When the time delay has elapsed, the alarm will be reset if the function is active.

<b>252 Overtemp</b> Stp <b>A</b> <span style="float: right;">off</span>		
Default:	Off	
Off	0	Off
1-3600	1-3600	1-3600 s

#### Communication information

Modbus Instance no/DeviceNet no:	43072
Profibus slot/index	168/231
EtherCAT index (hex)	4c00
Profinet IO index	19456
Fieldbus format	Long, 1=1 s
Modbus format	Elnt

**NOTE: An auto reset is delayed by the remaining ramp time.**

### Overvolt D [253]

Delay time starts counting when the fault is gone. When the time delay has elapsed, the alarm will be reset if the function is active.

<b>253 Overvolt D</b> Stp <b>A</b> <span style="float: right;">Off</span>		
Default:	Off	
Off	0	Off
1-3600	1-3600	1-3600 s

#### Communication information

Modbus Instance no/DeviceNet no:	43075
Profibus slot/index	168/234
EtherCAT index (hex)	4c03
Profinet IO index	19459
Fieldbus format	Long, 1=1 s
Modbus format	Elnt

**NOTE: An auto reset is delayed by the remaining ramp time.**

### Overvolt G [254]

Delay time starts counting when the fault is gone. When the time delay has elapsed, the alarm will be reset if the function is active.

<b>254 Overvolt G</b> Stp <b>A</b> <span style="float: right;">off</span>		
Default:	Off	
Off	0	Off
1-3600	1-3600	1-3600 s

#### Communication information

Modbus Instance no/DeviceNet no:	43076
Profibus slot/index	168/235
EtherCAT index (hex)	4c04
Profinet IO index	19460
Fieldbus format	Long, 1=1 s
Modbus format	Elnt



## Overvolt [255]

Delay time starts counting when the fault is gone. When the time delay has elapsed, the alarm will be reset if the function is active.

<b>255 Overvolt</b> Stp <b>A</b> <span style="float: right;">Off</span>		
Default:	Off	
Off	0	Off
1-3600	1-3600	1-3600 s

### Communication information

Modbus Instance no/DeviceNet no:	43077
Profibus slot/index	168/236
EtherCAT index (hex)	4c05
Profinet IO index	19461
Fieldbus format	Long, 1=1 s
Modbus format	Elnt

## Motor Lost [256]

Delay time starts counting when the fault is gone. When the time delay has elapsed, the alarm will be reset if the function is active.

<b>256 Motor Lost</b> Stp <b>A</b> <span style="float: right;">Off</span>		
Default:	Off	
Off	0	Off
1-3600	1-3600	1-3600 s

**NOTE: Only visible when Motor Lost is selected in menu [423].**

### Communication information

Modbus Instance no/DeviceNet no:	43083
Profibus slot/index	168/242
EtherCAT index (hex)	4c0b
Profinet IO index	19467
Fieldbus format	Long, 1=1 s
Modbus format	Elnt

## Locked Rotor [257]

Delay time starts counting when the fault is gone. When the time delay has elapsed, the alarm will be reset if the function is active.

<b>257 Locked Rotor</b> Stp <b>A</b> <span style="float: right;">Off</span>		
Default:	Off	
Off	0	Off
1-3600	1-3600	1-3600 s

### Communication information

Modbus Instance no/DeviceNet no:	43086
Profibus slot/index	168/245
EtherCAT index (hex)	4c0e
Profinet IO index	19470
Fieldbus format	Long, 1=1 s
Modbus format	Elnt

## Power Fault [258]

Delay time starts counting when the fault is gone. When the time delay has elapsed, the alarm will be reset if the function is active.

<b>258 Power Fault</b> Stp <b>A</b> <span style="float: right;">Off</span>		
Default:	Off	
Off	0	Off
1-3600	1-3600	1-3600 s

### Communication information

Modbus Instance no/DeviceNet no:	43087
Profibus slot/index	168/246
EtherCAT index (hex)	4c0f
Profinet IO index	19471
Fieldbus format	Long, 1=1 s
Modbus format	Elnt

## Undervoltage [259]

Delay time starts counting when the fault is gone. When the time delay has elapsed, the alarm will be reset if the function is active.

<b>259 Undervoltage</b> Stp <b>A</b> <span style="float: right;">Off</span>		
Default:	Off	
Off	0	Off
1-3600	1-3600	1-3600 s

### Communication information

Modbus Instance no/DeviceNet no:	43088
Profibus slot/index	168/247
EtherCAT index (hex)	4c10
Profinet IO index	19472
Fieldbus format	Long, 1=1 s
Modbus format	Elnt

## Motor I<sup>2</sup>t [25A]

Delay time starts counting when the fault is gone. When the time delay has elapsed, the alarm will be reset if the function is active.

<b>25A Motor I<sup>2</sup>t</b> Stp <b>A</b> <span style="float: right;">Off</span>		
Default:	Off	
Off	0	Off
1-3600	1-3600	1-3600 s

### Communication information

Modbus Instance no/DeviceNet no:	43073
Profibus slot/index	168/232
EtherCAT index (hex)	4c01
Profinet IO index	19457
Fieldbus format	Long, 1=1 s
Modbus format	Elnt

## Motor I<sup>2</sup>t Trip Type [25B]

Select the preferred way to react to a Motor I<sup>2</sup>t trip.

<b>25B Motor I<sup>2</sup>t TT</b> Stp <b>A</b> <span style="float: right;">Trip</span>		
Default:	Trip	
Trip	0	The motor will trip
Deceleration	1	The motor will decelerate

### Communication information

Modbus Instance no/DeviceNet no:	43074
Profibus slot/index	168/233
EtherCAT index (hex)	4c02
Profinet IO index	19458
Fieldbus format	UInt
Modbus format	UInt

## PT100 [25C]

Delay time starts counting when the fault is gone. When the time delay has elapsed, the alarm will be reset if the function is active.

<b>25C PT100</b> Stp <b>A</b> <span style="float: right;">Off</span>		
Default:	Off	
Off	0	Off
1-3600	1-3600	1-3600 s

### Communication information

Modbus Instance no/DeviceNet no:	43078
Profibus slot/index	168/237
EtherCAT index (hex)	4c06
Profinet IO index	19462
Fieldbus format	Long, 1=1 s
Modbus format	Elnt

## PT100 Trip Type [25D]

Delay time starts counting when the fault is gone. When the time delay has elapsed, the alarm will be reset if the function is active.

<b>25D PT100 TT</b> Stp <b>A</b> <span style="float: right;">Trip</span>		
Default:	Trip	
Selection:	Same as menu [25B]	

### Communication information

Modbus Instance no/DeviceNet no:	43079
Profibus slot/index	168/238
EtherCAT index (hex)	4c07
Profinet IO index	19463
Fieldbus format	UInt
Modbus format	UInt

### PTC [25E]

Delay time starts counting when the fault is gone. When the time delay has elapsed, the alarm will be reset if the function is active.

<b>25E PTC</b> Stp <b>A</b> <span style="float: right;"><b>Off</b></span>		
Default:	Off	
Off	0	Off
1-3600	1-3600	1-3600 s

### Communication information

Modbus Instance no/DeviceNet no:	43084
Profibus slot/index	168/243
EtherCAT index (hex)	4c0c
Profinet IO index	19468
Fieldbus format	Long, 1=1 s
Modbus format	Elnt

### PTC Trip Type [25F]

Select the preferred way to react to a PTC trip.

<b>25F PTC TT</b> Stp <b>A</b> <span style="float: right;"><b>Trip</b></span>	
Default:	Trip
Selection:	Same as menu [25B]

### Communication information

Modbus Instance no/DeviceNet no:	43085
Profibus slot/index	168/244
EtherCAT index (hex)	4c0d
Profinet IO index	19469
Fieldbus format	UInt
Modbus format	UInt

### External Trip [25G]

Delay time starts counting when the fault is gone. When the time delay has elapsed, the alarm will be reset if the function is active.

<b>25G Ext Trip</b> Stp <b>A</b> <span style="float: right;"><b>Off</b></span>		
Default:	Off	
Off	0	Off
1-3600	1-3600	1-3600 s

### Communication information

Modbus Instance no/DeviceNet no:	43080
Profibus slot/index	168/239
EtherCAT index (hex)	4c08
Profinet IO index	19464
Fieldbus format	Long, 1=1 s
Modbus format	Elnt

### External Trip Type [25H]

Select the preferred way to react to an alarm trip.

<b>25H Ext Trip TT</b> Stp <b>A</b> <span style="float: right;"><b>Trip</b></span>	
Default:	Trip
Selection:	Same as menu [25B]

### Communication information

Modbus Instance no/DeviceNet no:	43081
Profibus slot/index	168/240
EtherCAT index (hex)	4c09
Profinet IO index	19465
Fieldbus format	UInt
Modbus format	UInt

## Communication Error [25I]

Delay time starts counting when the fault is gone. When the time delay has elapsed, the alarm will be reset if the function is active.

<b>25I Com Error</b> Stp <b>A</b> <b>Off</b>		
Default:	Off	
Off	0	Off
1-3600	1-3600	1-3600 s

### Communication information

Modbus Instance no/DeviceNet no:	43089
Profibus slot/index	168/248
EtherCAT index (hex)	4c11
Profinet IO index	19473
Fieldbus format	Long, 1=1 s
Modbus format	Elnt

## Communication Error Trip Type [25J]

Select the preferred way to react to a communication trip.

<b>25J Com Error TT</b> Stp <b>A</b> <b>Trip</b>	
Default:	Trip
Selection:	Same as menu [25B]

### Communication information

Modbus Instance no/DeviceNet no:	43090
Profibus slot/index	168/249
EtherCAT index (hex)	4c12
Profinet IO index	19474
Fieldbus format	UInt
Modbus format	UInt

## Min Alarm [25K]

Delay time starts counting when the fault is gone. When the time delay has elapsed, the alarm will be reset if the function is active.

<b>25K Min Alarm</b> Stp <b>A</b> <b>Off</b>		
Default:	Off	
Off	0	Off
1-3600	1-3600	1-3600 s

### Communication information

Modbus Instance no/DeviceNet no:	43091
Profibus slot/index	168/250
EtherCAT index (hex)	4c13
Profinet IO index	19475
Fieldbus format	Long, 1=1 s
Modbus format	Elnt

## Min Alarm Trip Type [25L]

Select the preferred way to react to a min alarm trip.

<b>25L Min Alarm TT</b> Stp <b>A</b> <b>Trip</b>	
Default:	Trip
Selection:	Same as menu [25B]

### Communication information

Modbus Instance no/DeviceNet no:	43092
Profibus slot/index	168/251
EtherCAT index (hex)	4c14
Profinet IO index	19476
Fieldbus format	UInt
Modbus format	UInt

## Max Alarm [25M]

Delay time starts counting when the fault is gone. When the time delay has elapsed, the alarm will be reset if the function is active.

<b>25M Max Alarm</b> Stp <b>A</b> <span style="float: right;">Off</span>		
Default:	Off	
Off	0	Off
1-3600	1-3600	1-3600 s

### Communication information

Modbus Instance no/DeviceNet no:	43093
Profibus slot/index	168/252
EtherCAT index (hex)	4c15
Profinet IO index	19477
Fieldbus format	Long, 1=1 s
Modbus format	Elnt

## Max Alarm Trip Type [25N]

Select the preferred way to react to a max alarm trip.

<b>25N Max Alarm TT</b> Stp <b>A</b> <span style="float: right;">Trip</span>	
Default:	Trip
Selection:	Same as menu [25B]

### Communication information

Modbus Instance no/DeviceNet no:	43094
Profibus slot/index	168/253
EtherCAT index (hex)	4c16
Profinet IO index	19478
Fieldbus format	UInt
Modbus format	UInt

## Over current F [25O]

Delay time starts counting when the fault is gone. When the time delay has elapsed, the alarm will be reset if the function is active.

<b>25O Over curr F</b> Stp <b>A</b> <span style="float: right;">Off</span>		
Default:	Off	
Off	0	Off
1-3600	1-3600	1-3600 s

### Communication information

Modbus Instance no/DeviceNet no:	43082
Profibus slot/index	168/241
EtherCAT index (hex)	4c0a
Profinet IO index	19466
Fieldbus format	Long, 1=1 s
Modbus format	Elnt

## Pump [25P]

Delay time starts counting when the fault is gone. When the time delay has elapsed, the alarm will be reset if the function is active.

<b>25P Pump</b> Stp <b>A</b> <span style="float: right;">Off</span>		
Default:	Off	
Off	0	Off
1-3600	1-3600	1-3600 s

### Communication information

Modbus Instance no/DeviceNet no:	43095
Profibus slot/index	168/254
EtherCAT index (hex)	4c17
Profinet IO index	19479
Fieldbus format	Long, 1=1 s
Modbus format	Elnt

## Over Speed [25Q]

Delay time starts counting when the fault is gone. When the time delay has elapsed, the alarm will be reset if the function is active.

<b>25Q Over speed</b> Stp <b>A</b> <span style="float: right;">Off</span>		
Default:	Off	
Off	0	Off
1-3600	1-3600	1-3600 s

### Communication information

Modbus Instance no/DeviceNet no:	43096
Profibus slot/index	169/0
EtherCAT index (hex)	4c18
Profinet IO index	19480
Fieldbus format	Long, 1=1 s
Modbus format	Elnt

## External Motor Temperature [25R]

Delay time starts counting when the fault disappears. When the time delay has elapsed, the alarm will be reset if the function is active.

<b>25R Ext Mot Temp</b> Stp <b>A</b> <b>Off</b>		
Default:	Off	
Off	0	Off
1-3600	1-3600	1-3600 s

### Communication information

Modbus Instance no/DeviceNet no:	43097
Profibus slot/index	168/239
EtherCAT index (hex)	4c19
Profinet IO index	19481
Fieldbus format	Long, 1=1 s
Modbus format	Elnt

## External Motor Trip Type [25S]

Select the preferred way to react to an alarm trip.

<b>25S Ext Mot TT</b> Stp <b>A</b> <b>Trip</b>	
Default:	Trip
Selection:	Same as menu [25B]

### Communication information

Modbus Instance no/DeviceNet no:	43098
Profibus slot/index	168/240
EtherCAT index (hex)	4c1a
Profinet IO index	19482
Fieldbus format	UInt
Modbus format	UInt

## Liquid cooling low level [25T]

Delay time starts counting when the fault disappears. When the time delay has elapsed, the alarm will be reset if the function is active.

<b>25T LC Level</b> Stp <b>A</b> <b>Off</b>		
Default:	Off	
Off	0	Off
1-3600	1-3600	1-3600 s

### Communication information

Modbus Instance no/DeviceNet no:	43099
Profibus slot/index	169/3
EtherCAT index (hex)	4c1b
Profinet IO index	19483
Fieldbus format	Long, 1=1 s
Modbus format	Elnt

## Liquid Cooling Low level Trip Type [25U]

Select the preferred way to react to an alarm trip.

<b>25U LC Level TT</b> Stp <b>A</b> <b>Trip</b>	
Default:	Trip
Selection:	Same as menu [25B]

### Communication information

Modbus Instance no/DeviceNet no:	43100
Profibus slot/index	169/4
EtherCAT index (hex)	4c1c
Profinet IO index	19484
Fieldbus format	UInt
Modbus format	UInt

## Brake Fault [25V]

Delay time starts counting when the fault disappears. When the time delay has elapsed, the alarm will be reset if the function is active.

<b>25V Brk Fault</b> Stp <b>A</b> <b>Off</b>		
Default	Off	
Off	0	Autoreset not activated.
1 - 3600s	1 - 3600	Brake fault auto reset delay time.

### Communication information

Modbus Instance no/DeviceNet no:	43070
Profibus slot/index	168/229
EtherCAT index (hex)	4bfe
Profinet IO index	19454
Fieldbus format	Long, 1=1s
Modbus format	Elnt

## Encoder [25W]

Encoder delay time, starts counting when the fault disappears. When the time delay has elapsed, the alarm will be reset if the function is active.

<b>25W Encoder</b> Stp <b>A</b> <span style="float: right;">Off</span>		
Default:	Off	
Off	0	Off
1- 3600	1- 3600	1- 3600 s

### Communication information

Modbus Instance no/DeviceNet no:	43561
Profibus slot/index	170/210
EtherCAT index (hex)	4de9
Profinet IO index	19945
Fieldbus format	Long, 1=1s
Modbus format	Elnt

## Deviation [25X]

Deviation delay time, starts counting when the fault is gone. When the time delay has elapsed, the alarm will be reset if the function is active.

<b>25X Deviation</b> Stp <b>A</b> <span style="float: right;">Off</span>		
Default:	Off	
Off	0	Off
1- 3600	1- 3600	1- 3600 s

### Communication information

Modbus Instance no/DeviceNet no:	43562
Profibus slot/index	170/211
EtherCAT index (hex)	4dea
Profinet IO index	19946
Fieldbus format	Long, 1=1s
Modbus format	Elnt

## 11.2.8 Serial Communication [260]

This function is to define the communication parameters for serial communication. There are two types of options available for serial communication, RS232/485 (Modbus/RTU) and fieldbus modules (Profibus, DeviceNet, Modbus/TCP, Profinet IO and EtherCAT).

For more information see Chapter 10, page 77 and respective option manual.

## Comm Type [261]

Select RS232/485 [262] or Fieldbus [263].

<b>261 Com Type</b> Stp <b>A</b> <span style="float: right;">RS232/485</span>		
Default:	RS232/485	
RS232/485	0	RS232/485 selected
Fieldbus	1	Fieldbus selected (Profibus, DeviceNet, Modbus/TCP, Profinet IO or EtherCAT)

### Communication information

Modbus Instance no/DeviceNet no:	43031
Profibus slot/index	168/190
EtherCAT index (hex)	4bd7
Profinet IO index	19415
Fieldbus format	UInt
Modbus format	UInt

**NOTE: Toggling the setting in this menu will perform a soft reset (re-boot) of the Fieldbus module.**

## RS232/485 [262]

Press Enter to set up the parameters for RS232/485 (Modbus/RTU) communication.

<b>262 RS232/485</b> Stp <b>A</b>
--------------------------------------

## Baud rate [2621]

Set the baud rate for the communication.

**NOTE: This baud rate is only used for the isolated RS232/485 option.**

<b>2621 Baudrate</b>	
Stp <b>A</b>	9600
Default:	9600
2400	0
4800	1
9600	2
19200	3
38400	4
Selected baud rate	

#### Communication information

Modbus Instance no/DeviceNet no:	43032
Profibus slot/index	168/191
EtherCAT index (hex)	4bd8
Profinet IO index	19416
Fieldbus format	UInt
Modbus format	UInt

#### Address [2622]

Enter the unit address for the AC drive.

**NOTE: This address is only used for the isolated RS232/485 option.**

<b>2622 Address</b>	
Stp <b>A</b>	1
Default:	1
Selection:	1-247

#### Communication information

Modbus Instance no/DeviceNet no:	43033
Profibus slot/index	168/192
EtherCAT index (hex)	4bd9
Profinet IO index	19417
Fieldbus format	UInt, 1=1
Modbus format	UInt

#### Fieldbus [263]

Press Enter to set up the parameters for fieldbus communication.

<b>263 Fieldbus</b>	
Stp <b>A</b>	

#### Address [2631]

Enter/view the unit/node address of the AC drive. Read & write access for Profibus, DeviceNet. Read - only for EtherCAT.

<b>2631 Address</b>	
Stp <b>A</b>	62
Default:	62
Range:	Profibus 0-126, DeviceNet 0-63
Node address valid for Profibus(RW), DeviceNet (RW) and EtherCAT (RO).	

#### Communication information

Modbus Instance no/DeviceNet no:	43034
Profibus slot/index	168/199
EtherCAT index (hex)	4bda
Profinet IO index	19418
Fieldbus format	UInt, 1=1
Modbus format	UInt

#### Process Data Mode [2632]

Enter the mode of process data (cyclic data). For further information, see the Fieldbus option manual.

<b>2632 PrData Mode</b>		
Stp <b>A</b>	Basic	
Default:	Basic	
None	0	Control/status information is not used.
Basic	4	4 byte process data control/status information is used.
Extended	8	4 byte process data (same as Basic setting) + additional proprietary protocol for advanced users is used.

#### Communication information

Modbus Instance no/DeviceNet no:	43035
Profibus slot/index	168/194
EtherCAT index (hex)	4bdb
Profinet IO index	19419
Fieldbus format	UInt
Modbus format	UInt



## Read/Write [2633]

Select read/write to control the inverter over a fieldbus network. For further information, see the Fieldbus option manual.

<b>2633 Read/Write</b> Stp <b>A</b> <span style="float: right;">RW</span>	
Default:	RW
RW	0
Read	1
Valid for process data. Select R (read only) for logging process without writing process data. Select RW in normal cases to control inverter.	

### Communication information

Modbus Instance no/DeviceNet no:	43036
Profibus slot/index	168/195
EtherCAT index (hex)	4bdc
Profinet IO index	19420
Fieldbus format	UInt
Modbus format	UInt

## Additional Process Values [2634]

Define the number of additional process values sent in cyclic messages.

<b>2634 AddPrValues</b> Stp <b>A</b> <span style="float: right;">0</span>	
Default:	0
Range:	0-8

### Communication information

Modbus Instance no/DeviceNet no:	43039
Profibus slot/index	168/198
EtherCAT index (hex)	4bdf
Profinet IO index	19423
Fieldbus format	UInt, 1=1
Modbus format	UInt

## Communication Fault [264]

Main menu for communication fault/warning settings. For further details please see the Fieldbus option manual.

### Communication Fault Mode [2641]

Selects action if a communication fault is detected.

<b>2641 ComFlt Mode</b> Stp <b>A</b> <span style="float: right;">Off</span>	
Default:	Off
Off	0
No communication supervision.	
Trip	1
RS232/485 selected: The AC drive will trip if there is no communication for time set in parameter [2642]. Fieldbus selected: The AC drive will trip if: 1. The internal communication between the control board and fieldbus option is lost for time set in parameter [2642]. 2. If a serious network error has occurred.	
Warning	2
RS232/485 selected: The AC drive will give a warning if there is no communication for time set in parameter [2642]. Fieldbus selected: The AC drive will give a warning if: 1. The internal communication between the control board and fieldbus option is lost for time set in parameter [2642]. 2. If a serious network error has occurred.	

**NOTE: Menu [214] and/or [215] must be set to COM to activate the communication fault function.**

### Communication information

Modbus Instance no/DeviceNet no:	43037
Profibus slot/index	168/196
EtherCAT index (hex)	4bdd
Profinet IO index	19421
Fieldbus format	UInt
Modbus format	UInt

### Communication Fault Time [2642]

Defines the delay time for the trip/warning.

<b>2642 ComFlt Time</b> Stp <b>A</b> <span style="float: right;">0.5s</span>	
Default:	0.5 s
Range:	0.1-15 s

### Communication information

Modbus Instance no/DeviceNet no:	43038
Profibus slot/index	168/197
EtherCAT index (hex)	4bde
Profinet IO index	19422
Fieldbus format	Long, 1=0.1 s
Modbus format	Elnt

## Ethernet [265]

Settings for Ethernet module (Modbus/TCP, Profinet IO).  
For further information, see the Fieldbus option manual.

**NOTE: The Ethernet module must be re-booted to activate the below settings. For example by toggling parameter [261]. Non-initialized settings indicated by flashing display text.**

### IP Address [2651]

<b>2651 IP Address</b> 0 . 0 . 0 . 0	
Default:	0.0.0.0

### Communication information

Modbus Instance no/DeviceNet no:	42701, 42702, 42703, 42704
Profibus slot/index	167/115, 167/116, 167/117, 167/118
EtherCAT index (hex)	4a8d, 4a8e, 4a8f, 4a90
Profinet IO index	19085, 19086, 19087, 19088
Fieldbus format	UInt, 1=1
Modbus format	UInt

### MAC Address [2652]

<b>2652 MAC Address</b> Stp <b>A</b> 000000000000	
Default:	An unique number for the Ethernet module.

### Communication information

Modbus Instance no/DeviceNet no:	42705, 42706, 42707, 42708, 42709, 42710
Profibus slot/index	167/119, 167/120, 167/121, 167/122, 167/123, 167/124
EtherCAT index (hex)	4a91, 4a92, 4a93, 4a94, 4a95, 4a96,
Profinet IO index	19089, 19090, 19091, 19092, 19093, 19094
Fieldbus format	UInt, 1=1
Modbus format	UInt

### Subnet Mask [2653]

<b>2653 Subnet Mask</b> 0 . 0 . 0 . 0	
Default:	0.0.0.0

### Communication information

Modbus Instance no/DeviceNet no:	42711, 42712, 42713, 42714
Profibus slot/index	167/125, 167/126, 167/127, 167/128
EtherCAT index (hex)	4a97, 4a98, 4a99, 4a9a
Profinet IO index	19095, 19096, 19097, 19098
Fieldbus format	UInt, 1=1
Modbus format	UInt

### Gateway [2654]

<b>2654 Gateway</b> 0 . 0 . 0 . 0	
Default:	0.0.0.0

### Communication information

Modbus Instance no/DeviceNet no:	42715, 42716, 42717, 42718
Profibus slot/index	167/129, 167/130, 167/131, 167/132
EtherCAT index (hex)	4a9b, 4a9c, 4a9e, 4a9f
Profinet IO index	19099, 19100, 19101, 19102
Fieldbus format	UInt, 1=1
Modbus formatPicknik	UInt

### DHCP [2655]

<b>2655 DHCP</b> Stp <b>A</b> Off	
Default:	Off
Selection:	On/Off

### Communication information

Modbus Instance no/DeviceNet no:	42719
Profibus slot/index	167/133
EtherCAT index (hex)	4a9f
Profinet IO index	19103
Fieldbus format	UInt
Modbus format	UInt

## Fieldbus Signals [266]

Defines modbus mapping for additional process values. For further information, see the Fieldbus option manual.

### FB Signal 1 - 16 [2661]-[266G]

Used to create a block of parameters which are read/written via communication. 1 to 8 read + 1 to 8 write parameters possible.

<b>2661 FB Signal 1</b> Stp <b>A</b> 0	
Default:	0
Range:	0-65535

#### Communication information

Modbus Instance no/DeviceNet no:	42801-42816
Profibus slot/index	167/215-167/230
EtherCAT index (hex)	4af1 - 4b00
Profinet IO index	19185 - 19200
Fieldbus format	UInt, 1=1
Modbus format	UInt

## FB Status [269]

Sub menu showing status of fieldbus parameters. Please see the Fieldbus manual for detailed information.

<b>269 FB Status</b> Stp <b>A</b>	
--------------------------------------	--

## 11.3 Process and Application Parameters [300]

These parameters are mainly adjusted to obtain optimum process or machine performance.

The read-out, references and actual values depends on selected process source, [321]:

Table 22

Selected process source	Unit for reference and actual value	Resolution
Speed	rpm	4 digits
Torque	%	3 digits
PT100	°C	3 digits
Frequency	Hz	3 digits

### 11.3.1 Set/View Reference Value [310]

#### View reference value

As default the menu [310] is in view operation. The value of the active reference signal is displayed. The value is displayed according to selected process source, [321] or the process unit selected in menu [322].

#### Set reference value

If the function “Reference Control [214]” is set to “Keyboard”, the reference value can be set in menu “Set/View Ref [310]” or as a motor potentiometer with the + and - keys (default) on the control panel. Selection is made with parameter Keyboard Reference Mode in menu [369]. The ramp times used when setting the reference value with MotPot function selected in [369] are according to menus “Acc MotPot [333]” and “Dec MotPot [334]”. The ramp times used for the reference value when Normal function is selected in menu [369], are according to “Acc Time [331]” and “Dec Time [332]”. Menu [310] displays on-line the actual reference value according to the Mode Settings in Table 22.

<b>310 Set/View ref</b> Stp <b>A</b> 0rpm	
Default:	0 rpm
Dependent on:	Process Source [321] and Process Unit [322]
Speed mode	0 - max speed [343]
Torque mode	0 - max torque [351]
Other modes	Min according to menu [324] - max according to menu [325]

## Communication information

Modbus Instance no/DeviceNet no:	42991
Profibus slot/index	168/150
EtherCAT index (hex)	4baf
Profinet IO index	19375
Fieldbus format	Long, 1=1 rpm, 1 %,1 °C or 0.001 if Process Value/Process Ref using a [322] unit
Modbus format	Elnt

**NOTE: The actual value in menu [310] is not copied, or loaded from the control panel memory when Copy Set [242], Copy to CP [244] or Load from CP [245] is performed.**

**NOTE: If the MotPot function is used, the reference value ramp times are according to the “Acc MotPot [333]” and “Dec MotPot [334]” settings. Actual speed ramp will be limited according to “Acc Time [331]” and “Dec Time [332]”.**

**NOTE: Write access to this parameter is only allowed when menu “Ref Control [214]” is set to Keyboard. When Reference control is used, see section “10. Serial communication” on page 77**

## 11.3.2 Process Settings [320]

With these functions, the AC drive can be set up to fit the application. The menus [110], [120], [310], [362]-[368] and [711] use the process unit selected in [321] and [322] for the application, e.g. rpm, bar or m<sup>3</sup>/h. This makes it possible to easily set up the AC drive for the required process requirements, as well as for copying the range of a feedback sensor to set up the Process Value Minimum and Maximum in order to establish accurate actual process information.

## Process Source [321]

Select the signal source for the process value that controls the motor. The Process Source can be set to act as a function of the process signal on AnIn F(AnIn), a function of the motor speed F(Speed), a function of the shaft torque F(Torque) or as a function of a process value from serial communication F(Bus). The right function to select depends on the characteristics and behaviour of the process. If the selection Speed, Torque or Frequency is set, the AC drive will use speed, torque or frequency as reference value.

### Example

An axial fan is speed-controlled and there is no feedback signal available. The process needs to be controlled within fixed process values in “m<sup>3</sup>/hr” and a process read-out of the air flow is needed. The characteristic of this fan is that the air flow is linearly related to the actual speed. So by selecting F(Speed) as the Process Source, the process can easily be controlled.

The selection F(xx) indicates that a process unit and scaling is needed, set in menus [322]-[328]. This makes it possible to e.g. use pressure sensors to measure flow etc. If F(AnIn) is selected, the source is automatically connected to the AnIn which has Process Value as selected.

<b>321 Proc Source</b>		
Stp <b>A</b> Speed		
Default:	Speed	
F(AnIn)	0	Function of analogue input. E.g. via PID control, [380].
Speed	1	Speed as process reference.
PT100	3	Temperature as process reference.
F(Speed)	4	Function of speed
F(Bus)	6	Function of communication reference
Frequency	7	Frequency as process reference <sup>1</sup> .

<sup>1</sup>. Only when Drive mode [213] is set to Speed or V/Hz.

**NOTE: When PT100 is selected, use PT100 channel 1 on the PTC/PT100 option board.**

**NOTE: If Speed, Torque or Frequency is chosen in menu “[321] Proc Source”, menus [322] - [328] are hidden.**

**NOTE: If F (Bus) is chosen in menu [321] see section 10.5.1 Process value.**

## Communication information

Modbus Instance no/DeviceNet no:	43302
Profibus slot/index	169/206
EtherCAT index (hex)	4ce6
Profinet IO index	19686
Fieldbus format	UInt
Modbus format	UInt

## Process Unit [322]

<b>322 Proc Unit</b>		
Stp <b>A</b> rpm		
Default:	rpm	
Off	0	No unit selection
%	1	Percent
°C	2	Degrees Centigrade
°F	3	Degrees Fahrenheit
bar	4	bar
Pa	5	Pascal
Nm	6	Torque
Hz	7	Frequency
rpm	8	Revolutions per minute
m <sup>3</sup> /h	9	Cubic meters per hour
gal/h	10	Gallons per hour
ft <sup>3</sup> /h	11	Cubic feet per hour
User	12	User defined unit

### Communication information

Modbus Instance no/DeviceNet no:	43303
Profibus slot/index	169/207
EtherCAT index (hex)	4ce7
Profinet IO index	19687
Fieldbus format	UInt
Modbus format	UInt

## User-defined Unit [323]

This menu is only displayed if User is selected in menu [322]. The function enables the user to define a unit with six symbols. Use the Prev and Next key to move the cursor to required position. Then use the + and - keys to scroll down the character list. Confirm the character by moving the cursor to the next position by pressing the Next key.

Character	No. for serial comm.	Character	No. for serial comm.
Space	0	m	58
0-9	1-10	n	59
A	11	ñ	60
B	12	o	61
C	13	ó	62
D	14	ô	63
E	15	p	64
F	16	q	65
G	17	r	66
H	18	s	67
I	19	t	68
J	20	u	69
K	21	ü	70
L	22	v	71
M	23	w	72
N	24	x	73
O	25	y	74
P	26	z	75
Q	27	â	76
R	28	ä	77
S	29	ö	78
T	30	!	79
U	31	"	80
Ü	32	#	81
V	33	\$	82
W	34	%	83
X	35	&	84
Y	36	.	85
Z	37	(	86
Å	38	)	87
Ä	39	*	88
Ö	40	+	89
a	41	,	90
á	42	-	91
b	43	.	92
c	44	/	93
d	45	:	94
e	46	;	95
é	47	<	96

Character	No. for serial comm.	Character	No. for serial comm.
ê	48	=	97
ë	49	>	98
f	50	?	99
g	51	@	100
h	52	^	101
i	53	_	102
í	54	°	103
j	55	2	104
k	56	3	105
l	57		

### Example:

Create a user unit named kPa.

1. When in the menu [323] press **+** to show the cursor.
2. Press **→** to move the cursor to the right most position.
3. Press **+** until the character a is displayed.
4. Press **←**.
5. Then press the **+** until P is displayed and press **←**.
6. Repeat until you have entered kPa, confirm with **↵**.

<b>323 User Unit</b> Stp <b>A</b>	
Default:	No characters shown

### Communication information

Modbus Instance no/DeviceNet no:	43304 - 43309
Profibus slot/index	169/208 - 169/213
EtherCAT index (hex)	4ce8 - 4ced
Profinet IO index	19688 - 19693
Fieldbus format	UInt
Modbus format	UInt

When sending a unit name you send one character at a time starting at the right most position.

## Process Min [324]

This function sets the minimum process value allowed.

<b>324 Process Min</b> Stp <b>A</b> 0	
Default:	0
Range:	0.000-10000 (Speed, Torque, F(Speed), F(Torque)) -10000- +10000 (F(AnIn, PT100, F(Bus))

### Communication information

Modbus Instance no/DeviceNet no:	43310
Profibus slot/index	169/214
EtherCAT index (hex)	4cee
Profinet IO index	19694
Fieldbus format	Long, 1=1 rpm, 1 %,1 °C or 0.001 if Process Value/Process Ref using a [322] unit
Modbus format	Elnt

## Process Max [325]

This menu is not visible when speed, torque or frequency is selected. The function sets the value of the maximum process value allowed.

<b>325 Process Max</b> Stp <b>A</b> 0	
Default:	0
Range:	0.000-10000

### Communication information

Modbus Instance no/DeviceNet no:	43311
Profibus slot/index	169/215
EtherCAT index (hex)	4cef
Profinet IO index	19695
Fieldbus format	Long, 1=1 rpm, 1 %,1 °C or 0.001 if Process Value/Process Ref using a [322] unit
Modbus format	Elnt

## Ratio [326]

This menu is not visible when speed, frequency or torque is selected. The function sets the ratio between the actual process value and the motor speed so that it has an accurate process value when no feedback signal is used. See Fig. 89.

<b>326 Ratio</b> Stp <b>A</b> <b>Linear</b>		
Default:	Linear	
Linear	0	Process is linear related to speed/torque
Quadratic	1	Process is quadratic related to speed/torque

### Communication information

Modbus Instance no/DeviceNet no:	43312
Profibus slot/index	169/216
EtherCAT index (hex)	4cf0
Profinet IO index	19696
Fieldbus format	UInt
Modbus format	UInt

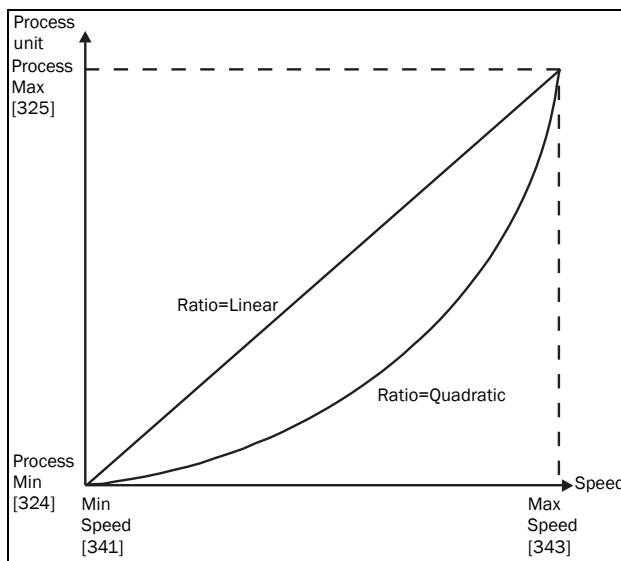


Fig. 89 Ratio

## F(Value), Process Min [327]

This function is used for scaling if no sensor is used. It offers you the possibility of increasing the process accuracy by scaling the process values. The process values are scaled by linking them to known data in the AC drive. With “F(Value) Proc Min [327]” the precise value at which the entered “Process Min [324]” is valid can be entered.

**NOTE: If Speed, Torque or Frequency is chosen in menu “[321] Proc Source”, menus [322]- [328] are hidden.**

<b>327 F(Val) PrMin</b> Stp <b>A</b> <b>Min</b>		
Default:	Min	
Min	-1	According to Min Speed setting in [341].
Max	-2	According to Max Speed setting in [343].
0.000-10000	0-10000	0.000-10000

### Communication information

Modbus Instance no/DeviceNet no:	43313
Profibus slot/index	169/217
EtherCAT index (hex)	4cf1
Profinet IO index	19697
Fieldbus format	Long, 1=1 rpm, 1 %
Modbus format	Elnt

## F(Value), Process Max [328]

This function is used for scaling if no sensor is used. It offers you the possibility of increasing the process accuracy by scaling the process values. The process values are scaled by linking them to known data in the AC drive. With F(Value), Proc Max the precise value at which the entered “Process Max [525]” is valid can be entered.

**NOTE: If Speed, Torque or Frequency is chosen in menu “[321] Proc Source”, menus [322]- [328] are hidden.**

<b>328 F(Val) PrMax</b> Stp <b>A</b> <b>Max</b>		
Default:	Max	
Min	-1	Min
Max	-2	Max
0.000-10000	0-10000	0.000-10000

### Communication information

Modbus Instance no/DeviceNet no:	43314
Profibus slot/index	169/218
EtherCAT index (hex)	4cf2
Profinet IO index	19698
Fieldbus format	Long, 1=1 rpm, 1 %
Modbus format	Elnt

### Example

A conveyor belt is used to transport bottles. The required bottle speed needs to be within 10 to 100 bottles/s. Process characteristics:

10 bottles/s = 150 rpm

100 bottles/s = 1500 rpm

The amount of bottles is linearly related to the speed of the conveyor belt.

Set-up:

“Process Min [324]” = 10

“Process Max [325]” = 100

“Ratio [326]” = linear

“F(Value), ProcMin [327]” = 150

“F(Value), ProcMax [328]” = 1500

With this set-up, the process data is scaled and linked to known values which results in an accurate control.

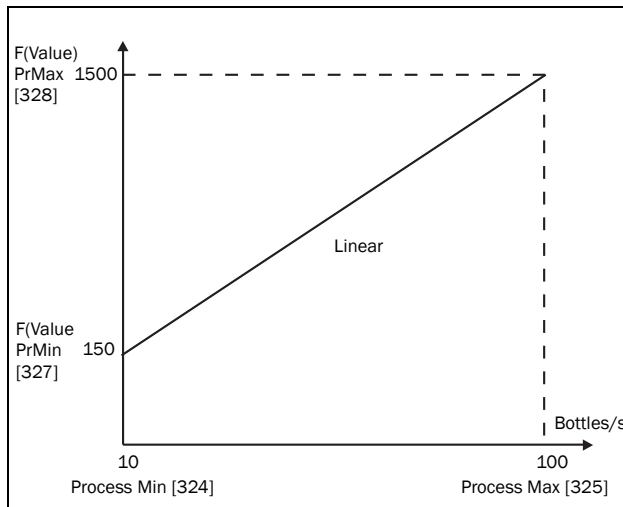


Fig. 90

## 11.3.3 Start/Stop settings [330]

Submenu with all the functions for acceleration, deceleration, starting, stopping, etc.

### Acceleration Time [331]

The acceleration time is defined as the time it takes for the motor to accelerate from 0 rpm to nominal motor speed.

**NOTE: If the Acc Time is too short, the motor is accelerated according to the Torque Limit. The actual Acceleration Time may then be longer than the value set.**

<b>331 Acc Time</b>	
Stp <b>A</b> 10.0s	
Default:	10.0 s
Range:	0.50–3600 s

### Communication information

Modbus Instance no/DeviceNet no:	43101
Profibus slot/index	169/5
EtherCAT index (hex)	4c1d
Profinet IO index	19485
Fieldbus format	Long, 1=0.01 s
Modbus format	Elnt

Fig. 91 shows the relationship between nominal motor speed/max speed and the acceleration time. The same is valid for the deceleration time.

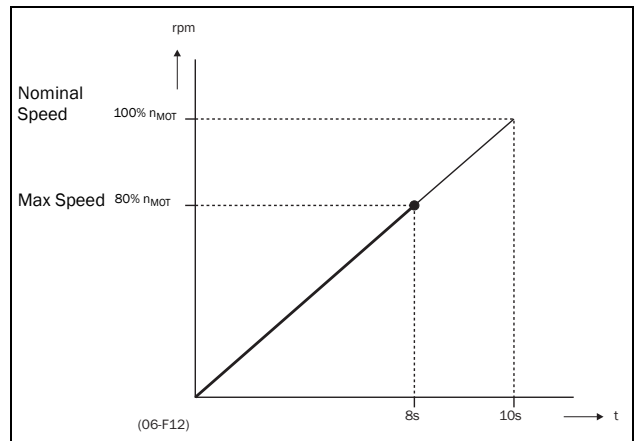


Fig. 91 Acceleration time and maximum speed

Fig. 92 shows the settings of the acceleration and deceleration times with respect to the nominal motor speed.



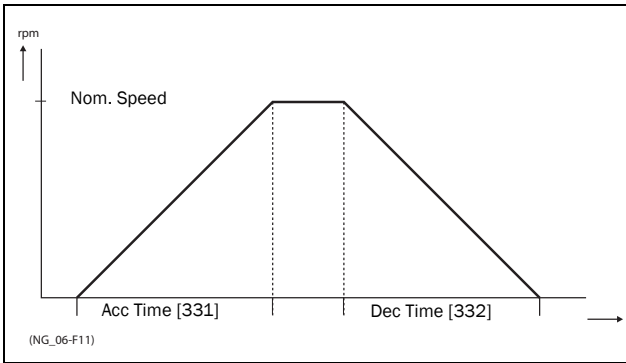


Fig. 92 Acceleration and deceleration times

## Deceleration Time [332]

The deceleration time is defined as the time it takes for the motor to decelerate from nominal motor speed to 0 rpm.

<b>332 Dec Time</b> Stp <b>A</b> 10.0s	
Default:	10.0 s
Range:	0.50–3600 s

### Communication information

Modbus Instance no/DeviceNet no:	43102
Profibus slot/index	169/6
EtherCAT index (hex)	4c1e
Profinet IO index	19486
Fieldbus format	Long, 1=0.01 s
Modbus format	Elnt

**NOTE: If the Dec Time is too short and the generator energy cannot be dissipated in a brake resistor, the motor is decelerated according to the overvoltage limit. The actual deceleration time may be longer than the value set.**

## Acceleration Time Motor Potentiometer [333]

It is possible to control the speed of the AC drive using the motor potentiometer function. This function controls the speed with separate up and down commands, over remote signals. The MotPot function has separate ramps settings which can be set in “Acc MotPot [333]” and “Dec MotPot [334]”.

If the MotPot function is selected, this is the acceleration time for the MotPot up command. The acceleration time is defined as the time it takes for the motor potentiometer value to increase from 0 rpm to nominal speed.

<b>333 Acc MotPot</b> Stp <b>A</b> 16.0s	
Default:	16.0 s
Range:	0.50–3600 s

### Communication information

Modbus Instance no/DeviceNet no:	43103
Profibus slot/index	169/7
EtherCAT index (hex)	4c1f
Profinet IO index	19487
Fieldbus format	Long, 1=0.01 s
Modbus format	Elnt

## Deceleration Time Motor Potentiometer [334]

If the MotPot function is selected, this is the deceleration time for the “MotPot” down command. The deceleration time is defined as the time it takes for the motor potentiometer value to decrease from nominal speed to 0 rpm.

<b>334 Dec MotPot</b> Stp <b>A</b> 16.0s	
Default:	16.0 s
Range:	0.50–3600 s

### Communication information

Modbus Instance no/DeviceNet no:	43104
Profibus slot/index	169/8
EtherCAT index (hex)	4c20
Profinet IO index	19488
Fieldbus format	Long, 1=0.01 s
Modbus format	Elnt

## Acceleration Time to Minimum Speed [335]

If minimum speed, [341]>0 rpm, is used in an application, the AC drive uses separate ramp times below this level. With “Acc>MinSpeed [335]” and “Dec<MinSpeed [336]” you can set the required ramp times. Short times can be used to prevent damage and excessive pump wear due too little lubrication at lower speeds. Longer times can be used to fill up a system smoothly and prevent water hammer due to rapidly exhausting air from the pipe system.

If a Minimum speed is programmed, this parameter will be used to select the acceleration time parameter [335] for speeds up to minimum speed at a run command. The ramp time is defined as the time it takes for the motor to accelerate from 0 rpm to nominal motor speed.

<b>335 Acc&gt;Min Spd</b> Stp <b>A</b> 10.0s	
Default:	10.0 s
Range:	0.50-3600 s

### Communication information

Modbus Instance no/DeviceNet no:	43105
Profibus slot/index	169/9
EtherCAT index (hex)	4c21
Profinet IO index	19489
Fieldbus format	Long, 1=0.01 s
Modbus format	Elnt

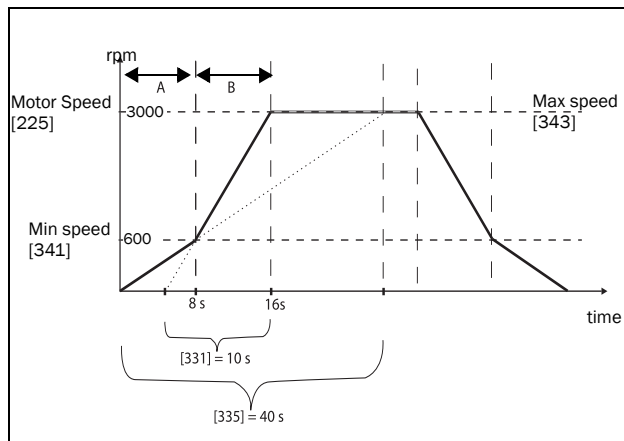


Fig. 93 Calculation example of accelerating times (graphics not proportional).

### Example:

“Motor speed [225]”	3000 rpm
Minimum speed [341]	600 rpm
Maximum speed [343]	3000 rpm
Acceleration time [331]	10 seconds
Deceleration time [332]	10 seconds
Acc>Min speed[335]	40 seconds
Dec<Min speed[336]	40 seconds

- A. The drive will start from 0 rpm and accelerate to Minimum speed [341] = 600 rpm in 8 seconds according to ramp time parameter Acc>Min speed [335].  
Calculated as following:  
600 rpm is 20% of 3000 rpm => 20% of 40 s = 8 s.
- B. The acceleration continues from minimum speed level 600 rpm to maximum speed level 3000 rpm with acceleration rate according to ramp time Acceleration time [331].  
Calculate by following:  
3000 - 600= 2400 rpm which is 80 % of 3000 rpm => acceleration tim is 80 % x 10 s = 8 s.  
This means that the total acceleration time from 0 - 3000 rpm will take 8 + 8 = 16 seconds.

## Deceleration Time from Minimum Speed [336]

If a minimum speed is programmed, this parameter will be used to set the deceleration time from the minimum speed to 0 rpm at a stop command. The ramp time is defined as the time it takes for the motor to decelerate from the nominal motor speed to 0 rpm.

<b>336 Dec&lt;Min Spd</b> Stp <b>A</b> 10.0s	
Default:	10.0 s
Range:	0.50-3600 s

### Communication information

Modbus Instance no/DeviceNet no:	43106
Profibus slot/index	169/10
EtherCAT index (hex)	4c22
Profinet IO index	19490
Fieldbus format	Long, 1=0.01 s
Modbus format	Elnt

## Acceleration Ramp Type [337]

Sets the type of all the acceleration ramps in a parameter set. See Fig. 94. Depending on the acceleration and deceleration requirements for the application, the shape of both the ramps can be selected. For applications where speed changes need to be started and stopped smoothly, such as a conveyor belt with materials that can drop following a quick speed change, the ramp shape can be adapted to a S-shape and prevent speed change shocks. For applications that are not critical in this, the speed change can be fully linear over the complete range.

<b>337 Acc Rmp</b> Stp <b>A</b> <span style="float: right;"><b>Linear</b></span>		
Default:	Linear	
Linear	0	Linear acceleration ramp.
S-Curve	1	S-shape acceleration ramp.

**NOTE: For S-curve ramps the ramp times, [331] and [332], defines the maximum acceleration and deceleration rated, i.e. linear part of S-curve, just as for the linear ramps. The S-curves are implemented so that for a speed step below sync speed the ramps are fully S-shaped while for larger steps the middle part will be linear. Therefore will a S-curve ramp from 0 –sync speed take 2 x Time while a step from 0–2 x sync speed will take 3 x Time (middle part 0.5sync speed – 1.5sync speed linear). Also valid for menu [338], Deceleration ramp type.**

### Communication information

Modbus Instance no/DeviceNet no:	43107
Profibus slot/index	169/11
EtherCAT index (hex)	4c23
Profinet IO index	19491
Fieldbus format	UInt
Modbus format	UInt

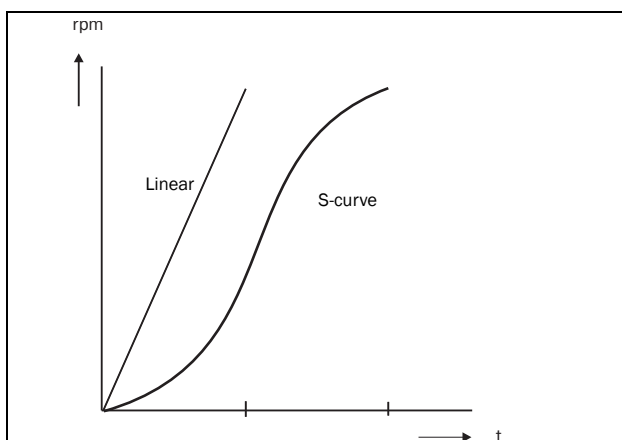


Fig. 94 Shape of acceleration ramp

## Deceleration Ramp Type [338]

Sets the ramp type of all deceleration parameters in a parameter set Fig. 95.

<b>338 Dec Rmp</b> Stp <b>A</b> <span style="float: right;"><b>Linear</b></span>	
Default:	Linear
Selection:	Same as menu [337]

### Communication information

Modbus Instance no/DeviceNet no:	43108
Profibus slot/index	169/12
EtherCAT index (hex)	4c24
Profinet IO index	19492
Fieldbus format	UInt
Modbus format	UInt

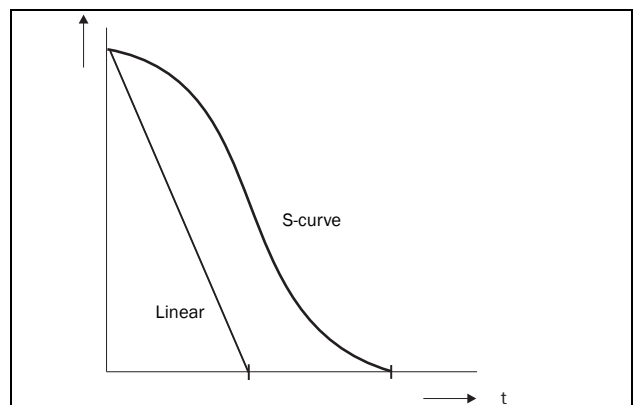


Fig. 95 Shape of deceleration ramp

## Start Mode [339]

Sets the way of starting the motor when a run command is given.

<b>339 Start Mode</b> Stp <b>A</b> <b>Fast</b>		
Default:	Fast (fixed)	
Fast	0	The motor flux increases gradually. The motor shaft starts rotating immediately once the Run command is given.

### Communication information

Modbus Instance no/DeviceNet no:	43109
Profibus slot/index	169/13
EtherCAT index (hex)	4c25
Profinet IO index	19493
Fieldbus format	UInt
Modbus format	UInt

## Spinstart [33A]

The spinstart will smoothly start a motor which is already rotating by catching the motor at the actual speed and control it to the desired speed. If in an application, such as an exhausting fan, the motor shaft is already rotating due to external conditions, a smooth start of the application is required to prevent excessive wear. With the spinstart=On, the actual control of the motor is delayed due to detecting the actual speed and rotation direction, which depend on motor size, running conditions of the motor before the Spinstart, inertia of the application, etc. Depending on the motor electrical time constant and the size of the motor, it can take maximum a couple of minutes before the motor is caught.

33A Spinstart		
Stp <b>A</b>		Off
Default:	Off	
Off	0	No spinstart. If the motor is already running the AC drive can trip or will start with high current.
On	1	Spinstart will allow the start of a running motor without tripping or high inrush currents. If encoder feedback is used, both encoder speed and current signals are used to perform spinstart function.
Use Encoder	2	Only encoder speed used for detecting rotating machine, i.e. no rotating machine detection via initial motor current. Note: Only active if encoder is present. If no Encoder, functionality is equal to selection Off.

### Communication information

Modbus Instance no/DeviceNet no:	43110
Profibus slot/index	169/14
EtherCAT index (hex)	4c26
Profinet IO index	19494
Fieldbus format	UInt
Modbus format	UInt

## Stop Mode [33B]

When the AC drive is stopped, different methods to come to a standstill can be selected in order to optimize the stop and prevent unnecessary wear, like water hammer. Stop Mode sets the way of stopping the motor when a Stop command is given.

33B Stop Mode		
Stp <b>A</b>		Decel
Default:	Decel	
Decel	0	The motor decelerates to 0 rpm according to the set deceleration time.
Coast	1	The motor freewheels naturally to 0 rpm.

### Communication information

Modbus Instance no/DeviceNet no:	43111
Profibus slot/index	169/15
EtherCAT index (hex)	4c27
Profinet IO index	19495
Fieldbus format	UInt
Modbus format	UInt

### 11.3.4 Mechanical brake control

The four brake-related menus [33C] to [33F] can be used to control mechanical brakes

Support is included for a Brake Acknowledge signal via a digital input. It is monitored using a brake fault time parameter. Additional output and trip/warning signals are also included. The acknowledge signal is either connected from the brake contactor or from a proximity switch on the brake.

#### Brake not released - Brake Fault trip

During start and running the brake acknowledge signal is compared to the actual brake output signal and if no acknowledge, i.e. brake not released, while brake output is high for the Brake Fault time [33H], then a Brake trip is generated.

#### Brake not engaged - Brake Warning and continued operation (keep torque)

The brake acknowledge signal is compared to the actual brake output signal at stop. If acknowledge is still active, i.e. brake not engaged, while brake output is low for the Brake Engage time [33E] then a Brake warning is generated and the torque is kept, i.e. prolonging normal brake engage mode, until brake closes or an emergency action is needed by the operator, such as setting down the load.

### Brake Release Time [33C]

The Brake Release Time sets the time the AC drive delays before ramping up to whatever final reference value is selected. During this time a predefined speed can be generated to hold the load where after the mechanical brake finally releases. This speed can be selected at Release Speed, [33D]. Immediate after the brake release time expiration the brake lift signal is set. The user can set a digital output or relay to the function Brake. This output or relay can control the mechanical brake.

<b>33C Brk Release</b>	
Stp <b>A</b> <b>0.00s</b>	
Default:	0.00 s
Range:	0.00–3.00 s

#### Communication information

Modbus Instance no/DeviceNet no:	43112
Profibus slot/index	169/16
EtherCAT index (hex)	4c28
Profinet IO index	19496
Fieldbus format	Long, 1=0.01 s
Modbus format	Elnt

Fig. 96 shows the relation between the four Brake functions.

- Brake Release Time [33C]
- Start Speed [33D]
- Brake Engage Time [33E]
- Brake Wait Time [33F]

The correct time setting depends on the maximum load and the properties of the mechanical brake. During the brake release time it is possible to apply extra holding torque by setting a start speed reference with the function start speed [33D].

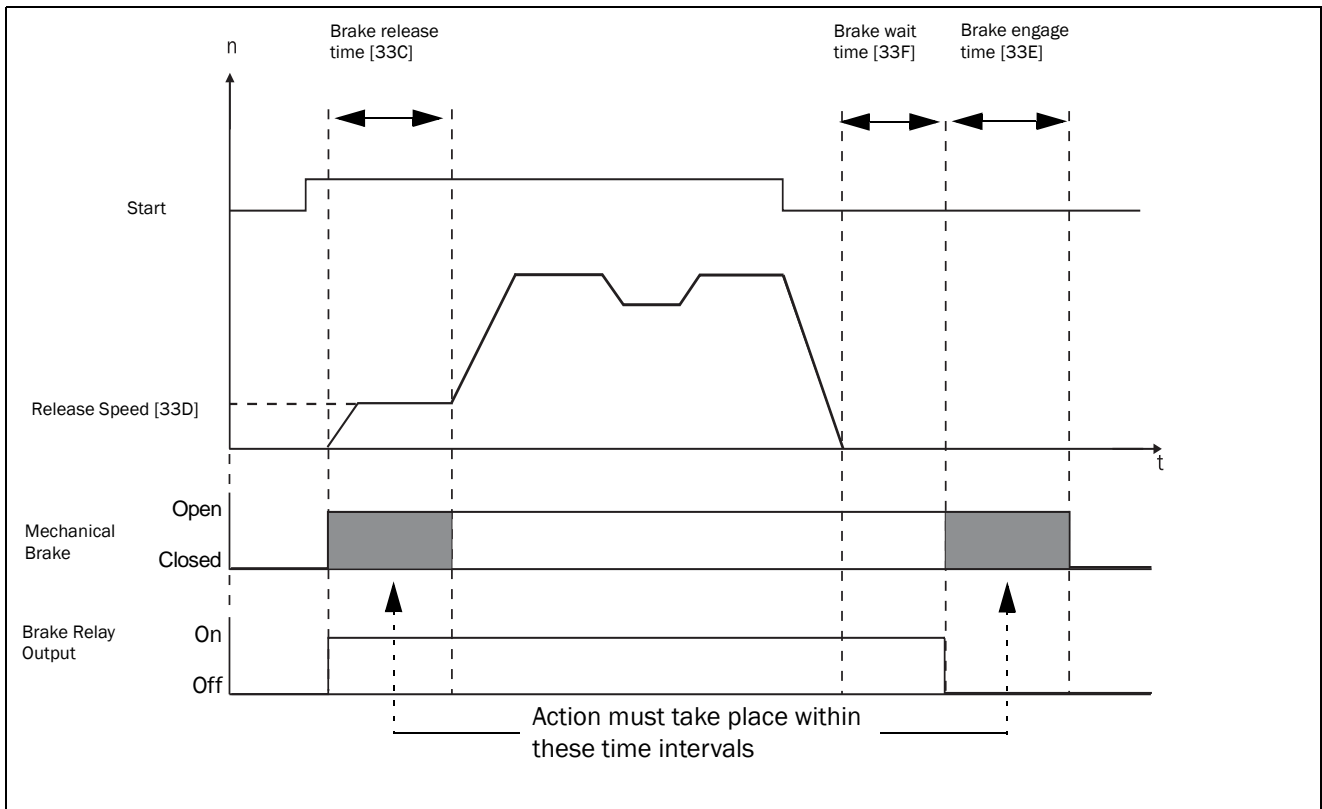


Fig. 96 Brake Output functions

**NOTE: This function is designed to operate a mechanical brake via the digital outputs or relays (set to brake function) controlling a mechanical brake.**

### Release Speed [33D]

The release speed only operates with the brake function: brake release [33C]. The release speed is the initial speed reference during the brake release time.

<b>33D Release Spd</b> Stp <b>A</b> 0rpm	
Default:	0 rpm
Range:	- 4x Sync. Speed to 4x Sync.
Depend on:	4xmotor sync speed, 1500 rpm for 1470 rpm motor.

#### Communication information

Modbus Instance no/DeviceNet no:	43113
Profibus slot/index	169/17
EtherCAT index (hex)	4c29
Profinet IO index	19497
Fieldbus format	Int, 1=1 rpm
Modbus format	Int, 1=1 rpm

### Brake Engage Time [33E]

The brake engage time is the time the load is held while the mechanical brake engages. It is also used to get a firm stop when transmissions, etc. cause “whiplash” effects. In other words, it compensates for the time it takes to engage a mechanical brake.

<b>33E Brk Engage</b> Stp <b>A</b> 0.00s	
Default:	0.00 s
Range:	0.00-3.00 s

#### Communication information

Modbus Instance no/DeviceNet no:	43114
Profibus slot/index	169/18
EtherCAT index (hex)	4c2a
Profinet IO index	19498
Fieldbus format	Long, 1=0.01 s
Modbus format	Elnt

## Wait Before Brake Time [33F]

The brake wait time is the time to keep brake open and to hold the load, either in order to be able to speed up immediately, or to stop and engage the brake.

<b>33F Brk Wait</b> Stp <b>A</b> 0.00s	
Default:	0.00 s
Range:	0.00–30.0 s

### Communication information

Modbus Instance no/DeviceNet no:	43115
Profibus slot/index	169/19
EtherCAT index (hex)	4c2b
Profinet IO index	19499
Fieldbus format	Long, 1=0.01 s
Modbus format	Elnt

## Vector Brake [33G]

Braking by increasing the internal electrical losses in the motor.

<b>33G Vector Brake</b> Stp <b>A</b> Off	
Default:	Off
Off	0 Vector brake switched off. AC drive brakes normal with voltage limit on the DC link.
On	1 Maximum AC drive current ( $I_{CL}$ ) is available for braking.

### Communication information

Modbus Instance no/DeviceNet no:	43116
Profibus slot/index	169/20
EtherCAT index (hex)	4c2c
Profinet IO index	19500
Fieldbus format	UInt
Modbus format	UInt

## Brake Fault trip time [33H]

The “Brake Fault trip time” for “Brake not released” function is specified in this menu.

<b>33H Brk Fault</b> Stp <b>A</b> 1.00s	
Default:	1.00s
Range	0.00 - 5.00s

### Communication information

Modbus Instance no/DeviceNet no:	43117
Profibus slot/index	169/21
EtherCAT index (hex)	4c2d
Profinet IO index	19501
Fieldbus format	Long, 1=0.01s
Modbus format	Elnt

**Note: The Brake Fault trip time should be set to longer time than the Brake release time[33C].**

The “Brake not engaged” warning is using the setting of parameter “Brake Engaged time [33E]”.

Following Figure shows principle of brake operation for fault during run (left) and during stop (right).

## Release torque [33I]

The Brake Release Time [33C] sets the time the AC drive delays before ramping up to whatever final speed reference value is selected, to allow the brake to be fully opened. During this time a holding torque to prevent roll-back of the load can be activated. The parameter Release Torque [33I] is used for this purpose.

The release torque initiates the torque reference from the speed controller during the Brake Release Time [33C]. The release torque defines a minimum level of release (holding) torque. The set release torque is internally overruled if the actual required holding torque measured at the previous closing of brake is higher.

The release torque is set with sign in order to define the holding torque direction.

<b>33I Release Trq</b> Stp <b>A</b> 0%	
Default:	0%
Range	-400% to 400%

### Communication information

Modbus Instance no/DeviceNet no:	43118
Profibus slot/index	169/22
EtherCAT index (hex)	4c2e
Profinet IO index	19502
Fieldbus format	Long, 1=1%
Modbus format	Elnt

**Note! Function is deactivated if set to 0%.**

**Note! Release Torque [33I] has priority over torque reference initialization by Release Speed [33D].**

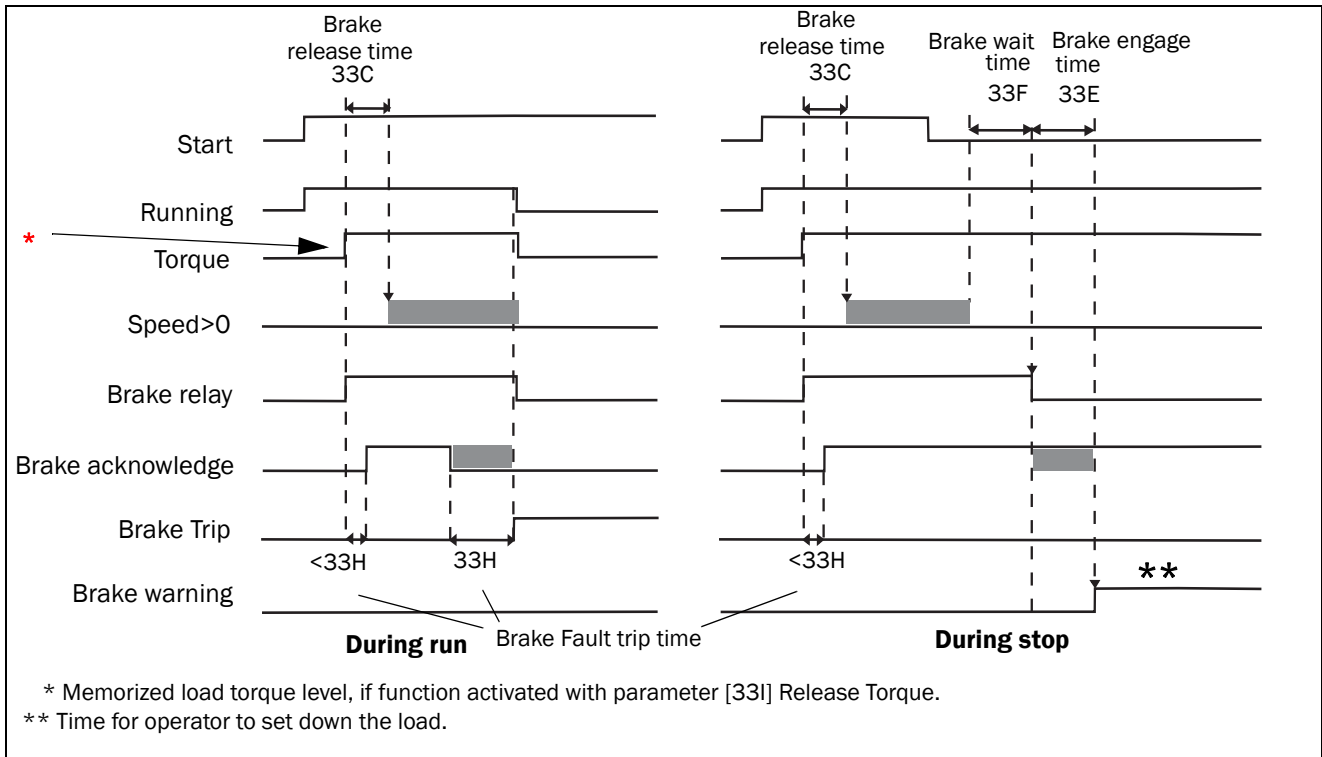


Fig. 97 Principle of Brake operation for fault during run and during stop



### 11.3.5 Speed [340]

Menu with all parameters for settings regarding to speeds, such as Min/Max speeds, Jog speeds, Skip speeds.

#### Minimum Speed [341]

Sets the minimum speed. The minimum speed will operate as an absolute lower limit. Used to ensure the motor does not run below a certain speed and to maintain a certain performance.

<b>341 Min Speed</b> Stp <b>A</b> 0rpm	
Default:	0 rpm
Range:	0 - Max Speed
Dependent on:	Set/View ref [310]

**NOTE: A lower speed value than the set minimum speed can be shown in the display due to motor slip.**

#### Communication information

Modbus Instance no/DeviceNet no:	43121
Profibus slot/index	169/25
EtherCAT index (hex)	4c31
Profinet IO index	19505
Fieldbus format	Int, 1=1 rpm
Modbus format	Int, 1=1 rpm

#### Stop/Sleep when less than Minimum Speed [342]

With this function it is possible to put the AC drive in “sleep mode” when it is running at minimum speed for the length of time set in menu “Stp<MinSpd [342]”. The AC drive will go into sleep mode after programmed time.

When the reference signal or PID Process controller output value (if PID Process controller is used) raises the required speed value above the min speed value, the AC drive will automatically wake up and ramp up to the required speed.

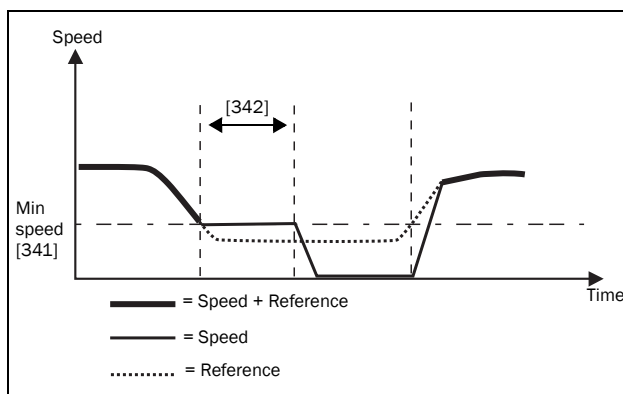


Fig. 98

If you want to use this function when having “process reference” signal via an analogue input, you need to make sure that the concerning analogue input is set up correct, meaning that AnIn Advanced parameter “AnIn1 FcMin [5134]” should be set from “Min” (=default) to “User defined” and “AnIn1 VaMin[5135]” set to a value less than “Min Speed [341]” to make it possible that the analogue input reference can go below the “Min Speed” level to activate the “Sleep mode”. This applies when PID Process controller is not used.

**NOTE: If [381] PID Process controller is used, then the PID sleep functionality [386] - [389] is recommended instead of [342]. See further page 132.**

**NOTE: Menu [386] has higher priority than menu [342].**

<b>342 Stp&lt;MinSpd</b> Stp <b>A</b> Off		
Default:	Off	
Off	0	Off
1-3600	1-3600	1-3600 s

#### Communication information

Modbus Instance no/DeviceNet no:	43122
Profibus slot/index	169/26
EtherCAT index (hex)	4c32
Profinet IO index	19506
Fieldbus format	Long, 1=0.01 s
Modbus format	Elnt

#### Maximum Speed [343]

Sets the maximum speed. The maximum speed will operate as an absolute maximum limit. This parameter is used to prevent damage due to high speed. The synchronous speed (Sync-spd) is determined by the parameter motor speed [225].

<b>343 Max Speed</b> Stp <b>A</b> Sync Speed		
Default:		Sync Speed
Sync Speed	0	Synchronous speed, i.e. no load speed, at nominal frequency.
1-24000rpm	1- 24000	Min Speed - 4 x Motor Sync Speed

Communication information

Modbus Instance no/DeviceNet no:	43123
Profibus slot/index	169/27
EtherCAT index (hex)	4c33
Profinet IO index	19507
Fieldbus format	Int, 1=1 rpm
Modbus format	Int, 1=1 rpm

**NOTE: It is not possible to set the maximum speed lower than the minimum speed.**

**Note: Maximum speed [343] has priority over Min Speed [341], i.e. if [343] is set below [341] then the drive will run at [343] Max Speed with acceleration times given by [335] and [336] respectively.**

**Skip Speed 1 Low [344]**

Within the Skip Speed range High to Low, the speed cannot be constant in order to avoid mechanical resonance in the AC drive system.

When Skip Speed Low ≤ Ref Speed ≤ Skip Speed High, then Output Speed=Skip Speed HI during deceleration and Output Speed=Skip Speed LO during acceleration. Fig. 99 shows the function of skip speed hi and low.

Between Skip Speed HI and LO, the speed changes with the set acceleration and deceleration times. Skipspd1 LO sets the lower value for the 1st skip range.

<b>344 SkipSpd 1 Lo</b> Stp <b>A</b> 0rpm	
Default:	0 rpm
Range:	0 - 4 x Motor Sync Speed

Communication information

Modbus Instance no/DeviceNet no:	43124
Profibus slot/index	169/28
EtherCAT index (hex)	4c34
Profinet IO index	19508
Fieldbus format	Int, 1=1 rpm
Modbus format	Int, 1=1 rpm

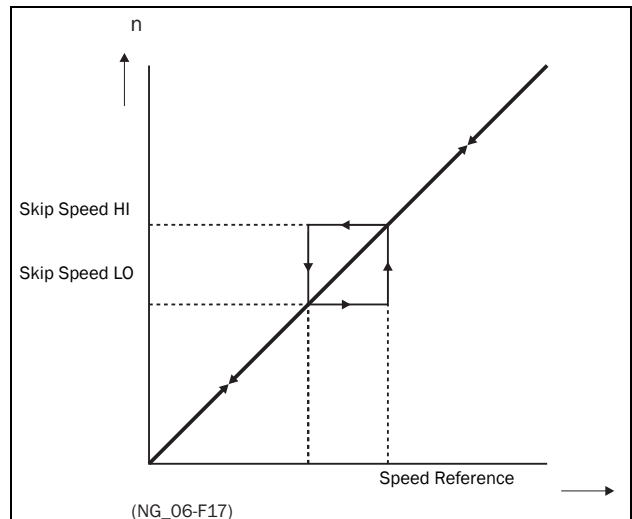


Fig. 99 Skip Speed

**NOTE: The two Skip Speed ranges may be overlapped.**

**Skip Speed 1 High [345]**

Skipspd1 HI sets the higher value for the 1st skip range.

<b>345 SkipSpd 1 Hi</b> Stp <b>A</b> 0rpm	
Default:	0 rpm
Range:	0 - 4 x Sync Speed

Communication information

Modbus Instance no/DeviceNet no:	43125
Profibus slot/index	169/29
EtherCAT index (hex)	4c35
Profinet IO index	19509
Fieldbus format	Int, 1=1 rpm
Modbus format	Int, 1=1 rpm

## Skip Speed 2 Low [346]

The same function as menu [344] for the 2nd skip range.

<b>346 SkipSpd 2 Lo</b> Stp <b>A</b> 0rpm	
Default:	0 rpm
Range:	0 – 4 x Motor Sync Speed

### Communication information

Modbus Instance no/DeviceNet no:	43126
Profibus slot/index	169/30
EtherCAT index (hex)	4c36
Profinet IO index	19510
Fieldbus format	Int, 1=1 rpm
Modbus format	Int, 1=1 rpm

## Skip Speed 2 High [347]

The same function as menu [345] for the 2nd skip range.

<b>347 SkipSpd 2 Hi</b> Stp <b>A</b> 0rpm	
Default:	0 rpm
Range:	0 – 4 x Motor Sync Speed

### Communication information

Modbus Instance no/DeviceNet no:	43127
Profibus slot/index	169/31
EtherCAT index (hex)	4c37
Profinet IO index	19511
Fieldbus format	Int, 1=1 rpm
Modbus format	Int, 1=1 rpm

## Jog Speed [348]

The Jog Speed function is activated by one of the digital inputs. The digital input must be set to the Jog function [520]. The Jog command/function will automatically generate a run command as long as the Jog command/function is active. This is valid independent of settings in menu [215]. The rotation is determined by the polarity of the set Jog Speed.

### Example

If Jog Speed = -10, this will give a Run Left command at 10 rpm regardless of RunL or RunR commands. Fig. 100 shows the function of the Jog command/function.

<b>348 Jog Speed</b> Stp <b>A</b> 50rpm	
Default:	50 rpm
Range:	-4 x motor sync speed to +4 x motor sync speed
Dependent on:	Defined motor sync speed. Max = 400%, normally max=AC drive $I_{max}$ /motor $I_{nom}$ x 100%.

### Communication information

Modbus Instance no/DeviceNet no:	43128
Profibus slot/index	169/32
EtherCAT index (hex)	4c38
Profinet IO index	19512
Fieldbus format	Int, 1=1 rpm
Modbus format	Int, 1=1 rpm

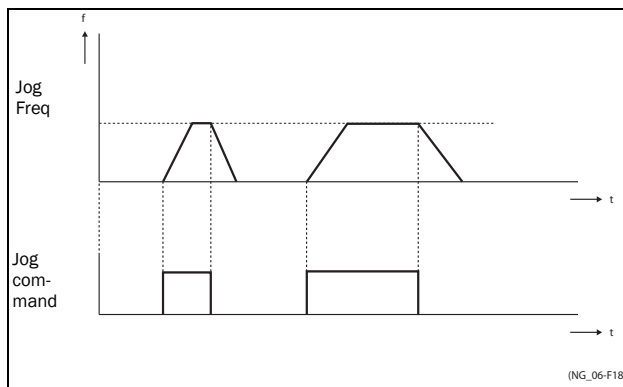


Fig. 100 Jog command

### 11.3.6 Torques [350]

Menu with all parameters for torque settings.

#### Maximum Torque [351]

Sets the maximum motor torque (according to menu group “Motor Data [220]”). This Maximum Torque operates as an upper torque limit. A Speed Reference is always necessary to run the motor.

$$T_{MOT}(Nm) = \frac{P_{MOT}(kw) \times 9550}{n_{MOT}(rpm)} = 100\%$$

<b>351 Max Torque</b> Stp <b>A</b> 120%	
Default:	120% calculated from the motor data
Range:	0-400%

#### Communication information

Modbus Instance no/DeviceNet no:	43141
Profibus slot/index	169/45
EtherCAT index (hex)	4c45
Profinet IO index	19525
Fieldbus format	Long, 1=1%
Modbus format	Elnt

**NOTE: The Max Torque parameter will limit the maximum output current of the AC drive following the relation: 100% T<sub>mot</sub> corresponds to 100% I<sub>mot</sub>. The maximum possible setting for parameter 351 is limited by I<sub>nom</sub>/I<sub>mot</sub> x 120%, but not higher than 400%.**

**NOTE: The power loss in the motor will increase by the square of the torque when operating above 100%. 400% torque will result in 1600% power loss, which will increase the motor temperature very quickly.**

#### IxR Compensation [352]

This function compensates for the drop in voltage over different resistances such as (very) long motor cables, chokes and motor stator by increasing the output voltage at a constant frequency. IxR Compensation is most important at low frequencies and is used to obtain a higher starting torque. The maximum voltage increase is 25% of the nominal output voltage. See Fig. 101.

Selecting “Automatic” will use the optimal value according to the internal model of motor. “User-Defined” can be selected when the start conditions of the application do not change and a high starting torque is always required. A fixed IxR Compensation value can be set in the menu [353].

<b>352 IxR Comp</b> Stp <b>A</b> Off		
Default:	Off	
Off	0	Function disabled
Automatic	1	Automatic compensation
User Defined	2	User defined value in percent.

#### Communication information

Modbus Instance no/DeviceNet no:	43142
Profibus slot/index	169/46
EtherCAT index (hex)	4c46
Profinet IO index	19526
Fieldbus format	Ulnt
Modbus format	Ulnt

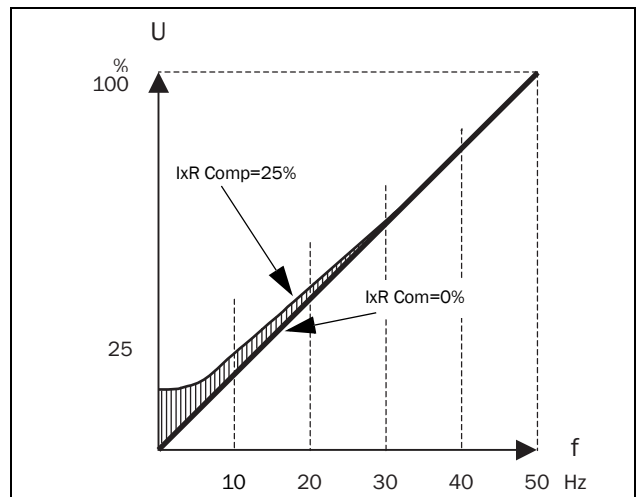


Fig. 101 IxR Comp at Linear V/Hz curve

#### IxR Comp\_user [353]

Only visible if User-Defined is selected in previous menu.

<b>353 IxR CompUsr</b> Stp <b>A</b> 0.0%	
Default:	0.0%
Range:	0-25% x U <sub>NOM</sub> (0.1% of resolution)

#### Communication information

Modbus Instance no/DeviceNet no:	43143
Profibus slot/index	169/47
EtherCAT index (hex)	4c47
Profinet IO index	19527
Fieldbus format	Long, 1= 0.1 %
Modbus format	Elnt

**NOTE: A too high level of IxR Compensation could cause motor saturation. This can cause a “Power Fault” trip. The effect of IxR Compensation is stronger with higher power motors.**

**NOTE: The motor may be overheated at low speed. Therefore it is important that the Motor I<sup>2</sup>t Current [232] is set correctly.**

### Flux Optimization [354]

Flux Optimization reduces the energy consumption and the motor noise, at low or no load conditions.

Flux Optimization automatically decreases the V/Hz ratio, depending on the actual load of the motor when the process is in a steady situation. Fig. 102 shows the area within which the Flux Optimization is active.

<b>354 Flux optim</b> Stp <b>A</b> <span style="float: right;">Off</span>		
Default:	Off	
Off	0	Function disabled
On	1	Function enabled

#### Communication information

Modbus Instance no/DeviceNet no:	43144
Profibus slot/index	169/48
EtherCAT index (hex)	4c48
Profinet IO index	19528
Fieldbus format	UInt
Modbus format	UInt

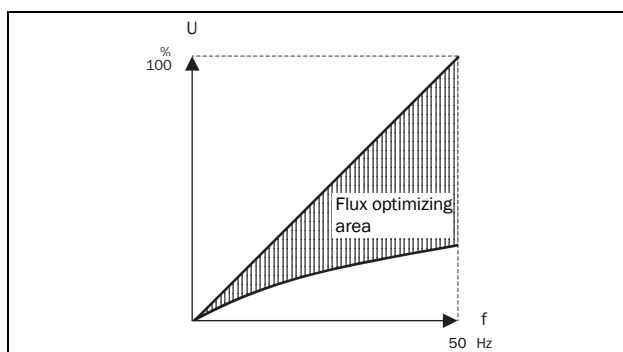


Fig. 102 Flux Optimizing

**NOTE: Flux optimization works best at stable situations in slow changing processes.**

### Maximum power [355]

Sets maximum power. Can be used for limiting motor power in field weakening operation. This function operates as an upper power limit and internally limits the parameter “Max Torque [351]” according to :

$$T_{limit} = P_{limit}[\%] / (\text{Actual Speed} / \text{Sync Speed})$$

<b>355 Max Power</b> Stp <b>A</b> <span style="float: right;">Off</span>		
Default:	Off	
Off	0	Off. No power limit
1 - 400	1 - 400	1 - 400% of motor nominal power

**NOTE: The maximum possible setting for parameter [355] is limited by  $I_{NOM}/I_{MOT} \times 120\%$ , but not higher than 400%.**

#### Communication information

Modbus Instance no/DeviceNet no:	43145
Profibus slot/index	169/49
EtherCAT index (hex)	4c49
Profinet IO index	19529
Fieldbus format	Long, 1=1%
Modbus format	Elnt

## 11.3.7 Preset References [360]

### Motor Potentiometer [361]

Sets the properties of the motor potentiometer function. See the parameter “DigIn1 [521]” for the selection of the motor potentiometer function.

<b>361 Motor Pot</b> Stp <b>A</b> Non Volatile	
Default:	Non Volatile
Volatile	0 After a stop, trip or power down, the AC drive will start always from zero speed (or minimum speed, if selected).
Non volatile	1 Non Volatile. After a stop, trip or power down of the AC drive, the reference value at the moment of the stop will be memorized. After a new start command the output speed will resume to this saved value.

#### Communication information

Modbus Instance no/DeviceNet no:	43131
Profibus slot/index	169/35
EtherCAT index (hex)	4c3b
Profinet IO index	19515
Fieldbus format	UInt
Modbus format	UInt

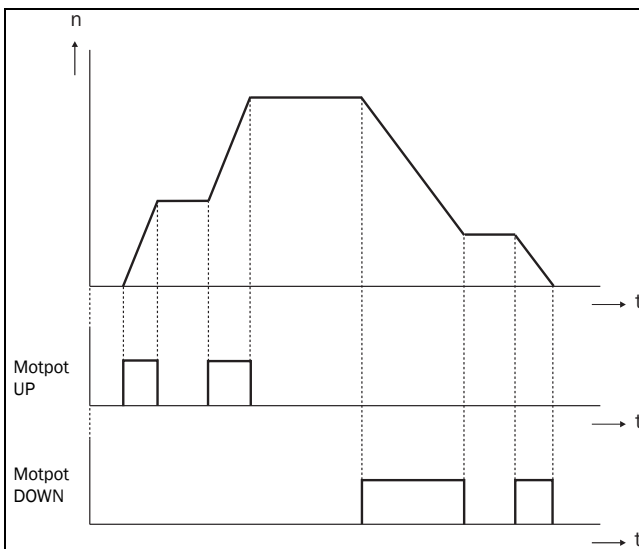


Fig. 103 MotPot function

### Preset Ref 1 [362] to Preset Ref 7 [368]

Preset speeds have priority over the analogue inputs. Preset speeds are activated by the digital inputs. The digital inputs must be set to the function Pres. Ref 1, Pres. Ref 2 or Pres. Ref 4.

Depending on the number of digital inputs used, up to 7 preset speeds can be activated per parameter set. Using all the parameter sets, up to 28 preset speeds are possible.

<b>362 Preset Ref 1</b> Stp <b>A</b> 0rpm	
Default:	Speed, 0 rpm
Dependent on:	Process Source [321] and Process Unit [322]
Speed mode	0 - max speed [343]
Torque mode	0 - max torque [351]
Other modes	Min according to menu [324] - max according to menu [325]

#### Communication information

Modbus Instance no/DeviceNet no:	43132 - 43138
Profibus slot/index	169/36 - 169/42
EtherCAT index (hex)	4c3c - 4c42
Profinet IO index	19516 - 19522
Fieldbus format	Long, 1= 1 rpm, 1 %, 1 °C or 0.001 if Process Value/Process Ref using a [322] unit
Modbus format	Elnt

The same settings are valid for the menus:

- “[363] Preset Ref 2”, with default 250 rpm
- “[364] Preset Ref 3”, with default 500 rpm
- “[365] Preset Ref 4”, with default 750 rpm
- “[366] Preset Ref 5”, with default 1000 rpm
- “[367] Preset Ref 6”, with default 1250 rpm
- “[368] Preset Ref 7”, with default 1500 rpm

The selection of the presets is as in Table 23.

Table 23

Preset Ctrl3	Preset Ctrl2	Preset Ctrl1	Output Speed
0	0	0	Analogue reference
0	0	1 <sup>1)</sup>	Preset Ref 1
0	1 <sup>1)</sup>	0	Preset Ref 2
0	1	1	Preset Ref 3
1 <sup>1)</sup>	0	0	Preset Ref 4
1	0	1	Preset Ref 5
1	1	0	Preset Ref 6
1	1	1	Preset Ref 7

1)<sup>1)</sup> = selected if only one preset reference is active  
 1 = active input  
 0 = non active input

**NOTE: If only Preset Ctrl3 is active, then the Preset Ref 4 can be selected. If Presets Ctrl2 and 3 are active, then the Preset Ref 2, 4 and 6 can be selected.**

### Keyboard reference mode [369]

This parameter sets how the reference value [310] is edited.

369 Key Ref Mode		
Stp <b>A</b> MotPot		
Default:	MotPot	
Normal	0	The reference value is edited as a normal parameter (the new reference value is activated when Enter is pressed after the value has been changed). The "Acc Time [331]" and "Dec Time [332]" are used.
MotPot	1	The reference value is edited using the motor potentiometer function (the new reference value is activated directly when the key + or - is pressed). The "Acc MotPot [333]" and "Dec MotPot [334]" are used.

#### Communication information

Modbus Instance no/DeviceNet no:	43139
Profibus slot/index	169/43
EtherCAT index (hex)	4c43
Profinet IO index	19523
Fieldbus format	UInt
Modbus format	UInt

**NOTE: When Key Ref Mode is set to MotPot, the reference value ramp times are according to the "Acc MotPot [333]" and "Dec MotPot [334]" settings. Actual speed ramp will be limited according to "Acc Time [331]" and "Dec Time [332]".**

### 11.3.8 PID Process Control [380]

The PID controller is used to control an external process via a feedback signal. The reference value can be set via analogue input AnIn1, at the Control Panel [310] by using a Preset Reference, or via serial communication. The feedback signal (actual value) must be connected to an analogue input that is set to the function Process Value.

#### Process PID Control [381]

This function enables the PID controller and defines the response to a changed feedback signal.

381 PID Control		
Stp <b>A</b> Off		
Default:	Off	
Off	0	PID control deactivated.
On	1	The speed increases when the feedback value decreases. PID settings according to menus [381] to [385].
Invert	2	The speed decreases when the feedback value decreases. PID settings according to menus [383] to [385].

#### Communication information

Modbus Instance no/DeviceNet no:	43154
Profibus slot/index	169/58
EtherCAT index (hex)	4c52
Profinet IO index	19538
Fieldbus format	UInt
Modbus format	UInt

#### PID P Gain [383]

Setting the P gain for the PID controller.

383 PID P Gain		
Stp <b>A</b> 1.0		
Default:	1.0	
Range:	0.0-30.0	

#### Communication information

Modbus Instance no/DeviceNet no:	43156
Profibus slot/index	169/60
EtherCAT index (hex)	4c54
Profinet IO index	19540
Fieldbus format	Long, 1=0.1
Modbus format	EInt

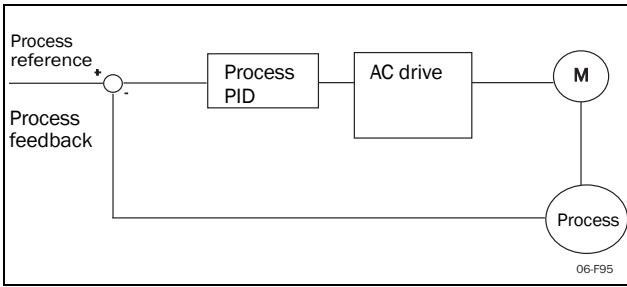


Fig. 104 Closed loop PID control

## PID I Time [384]

Setting the integration time for the PID controller.

<b>384 PID I Time</b> Stp <b>A</b> <b>1.00s</b>	
Default:	1.00 s
Range:	0.01–300 s

### Communication information

Modbus Instance no/DeviceNet no:	43157
Profibus slot/index	169/61
EtherCAT index (hex)	4c55
Profinet IO index	19541
Fieldbus format	Long, 1=0.01 s
Modbus format	Elnt

## Process PID D Time [385]

Setting the differentiation time for the PID controller.

<b>385 PID D Time</b> Stp <b>A</b> <b>0.00s</b>	
Default:	0.00 s
Range:	0.00–30 s

### Communication information

Modbus Instance no/DeviceNet no:	43158
Profibus slot/index	169/62
EtherCAT index (hex)	4c56
Profinet IO index	19542
Fieldbus format	Long, 1=0.01 s
Modbus format	Elnt

## PID sleep functionality

This function is controlled via a wait delay and a separate wake-up margin condition. With this function it is possible to put the AC drive in “sleep mode” when the process value is at its set point and the motor is running at minimum speed for the length of the time set in [386]. By going into sleep mode, the by the application consumed energy is reduced to a minimum. When the process feedback value goes below the set margin on the process reference as set in [387], the AC drive will wake up automatically and normal PID operation continues, see examples.

**NOTE: When the drive is in Sleep mode, this is indicated with “slp” in the lower left corner of the display.**

## PID sleep when less than minimum speed [386]

If the PID output is equal to or less than minimum speed for given delay time, the AC drive will go to sleep.

<b>386 PID&lt;MinSpd</b> <b>slp A</b> <b>Off</b>	
Default:	Off
Range:	Off, 0.01 –3600 s

### Communication information

Modbus Instance no/DeviceNet no:	43371
Profibus slot/index	170/20
EtherCAT index (hex)	4d2b
Profinet IO index	19755
Fieldbus format	Long, 1=0.01 s
Modbus format	Elnt

**NOTE: Menu [386] has higher priority than menu [342].**



## PID Activation Margin [387]

The PID activation (wake-up) margin is related to the process reference and sets the limit when the AC drive should wake-up/start again.

<b>387 PID Act Marg</b>	
Stp <b>A</b> 0rpm	
Default:	0
Range:	0 - 10000 in Process unit

### Communication information

Modbus Instance no/DeviceNet no:	43372
Profibus slot/index	170/21
EtherCAT index (hex)	4d2c
Profinet IO index	19756
Fieldbus format	Long, 1= 1 rpm, 1 %, 1 °C or 0.001 if Process Value/Process Ref using a [322] unit
Modbus format	Elnt

**NOTE: The margin is always a positive value.**

## Example 1 PID control = normal (flow or pressure control)

[321] = F (AnIn)  
 [322] = Bar  
 [310] = 20 Bar  
 [342] = 2 s (inactive since [386] is activated and have higher priority)  
 [381] = On  
 [386] = 10 s  
 [387] = 1 Bar

The AC drive will stop/sleep when the speed (PID output) is below or equal to Min Speed for 10 seconds. The AC drive will activate/wake up when the "Process value" goes below the PID Activation Margin which is related to the process reference, i.e. goes below (20-1) Bar. See Fig. 105.

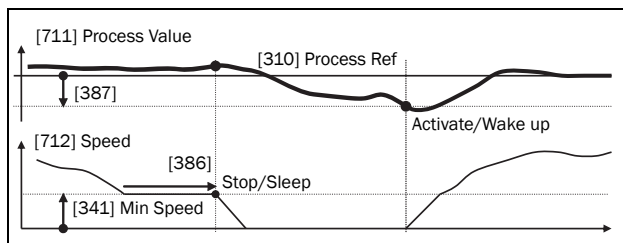


Fig. 105 PID Stop/sleep with normal PID

## Example 2 PID control = inverted (tank level control)

[321] = F (AnIn)  
 [322] = m  
 [310] = 7 m  
 [342] = 2 s (inactive since [386] is activated and have higher priority)  
 [381] = Inverted  
 [386] = 30 s  
 [387] = 1 m

The AC drive will stop/sleep when the speed (PID output) is below or equal to Min Speed for 30 seconds. The AC drive will activate/wake up when the "Process value" goes above the PID Activation Margin which is related to the process reference, i.e. goes above (7+1) m. See Fig. 106.

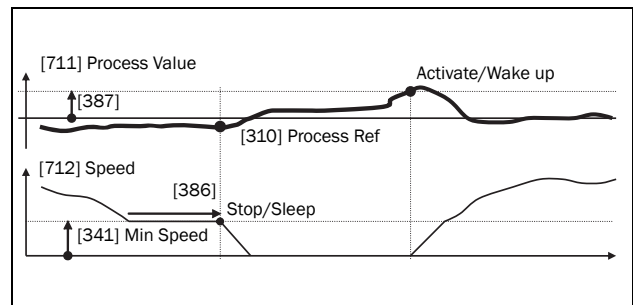


Fig. 106 PID Stop/sleep with inverted PID

## PID Steady State Test [388]

In application situations where the feedback can become independent of the motor speed, this PID Steady Test function can be used to overrule the PID operation and force the AC drive to go in sleep mode i.e. the AC drive automatically reduces the output speed while at the same time ensures the process value.

Example: pressure controlled pump systems with low/no flow operation and where the process pressure has become independent of the pump speed, e.g. due to slowly closed valves. By going into Sleep mode, heating of the pump and motor will be avoided and no energy is spilled.

PID Steady state test delay.

**NOTE: It is important that the system has reached a stable situation before the Steady State Test is initiated.**

<b>388 PID Stdy Tst</b>	
Stp <b>A</b> Off	
Default:	Off
Range:	Off, 0.01-3600 s

### Communication information

Modbus Instance no/DeviceNet no:	43373
Profibus slot/index	170/22
EtherCAT index (hex)	4d2d
Profinet IO index	19757
Fieldbus format	Long, 1=0.01 s
Modbus format	Elnt

### PID Steady State Margin [389]

PID steady state margin defines a margin band around the reference that defines “steady state operation”. During the steady state test the PID operation is overruled and the AC drive is decreasing the speed as long as the PID error is within the steady state margin. If the PID error goes outside the steady state margin the test failed and normal PID operation continues, see example.

<b>389 PID Stdy Mar</b>	
Stp <b>A</b> 0	
Default:	0
Range:	0-10000 in process unit

### Communication information

Modbus Instance no/DeviceNet no:	43374
Profibus slot/index	170/23
EtherCAT index (hex)	4d2e
Profinet IO index	19758
Fieldbus format	Long, 1= 1 rpm, 1 %, 1°C or 0.001 if Process Value/Process Ref using a [322] unit
Modbus format	Elnt

Example: The PID Steady Test starts when the process value [711] is within the margin and Steady State Test Wait Delay has expired. The PID output will decrease speed with a step value which corresponds to the margin as long as the Process value [711] stays within steady state margin. When Min Speed [341] is reached the steady state test was successful and stop/sleep is commanded if PID sleep function [386] and [387] is activated. If the Process value [711] goes outside the set steady state margins then the test failed and normal PID operation will continue, see Fig. 107.

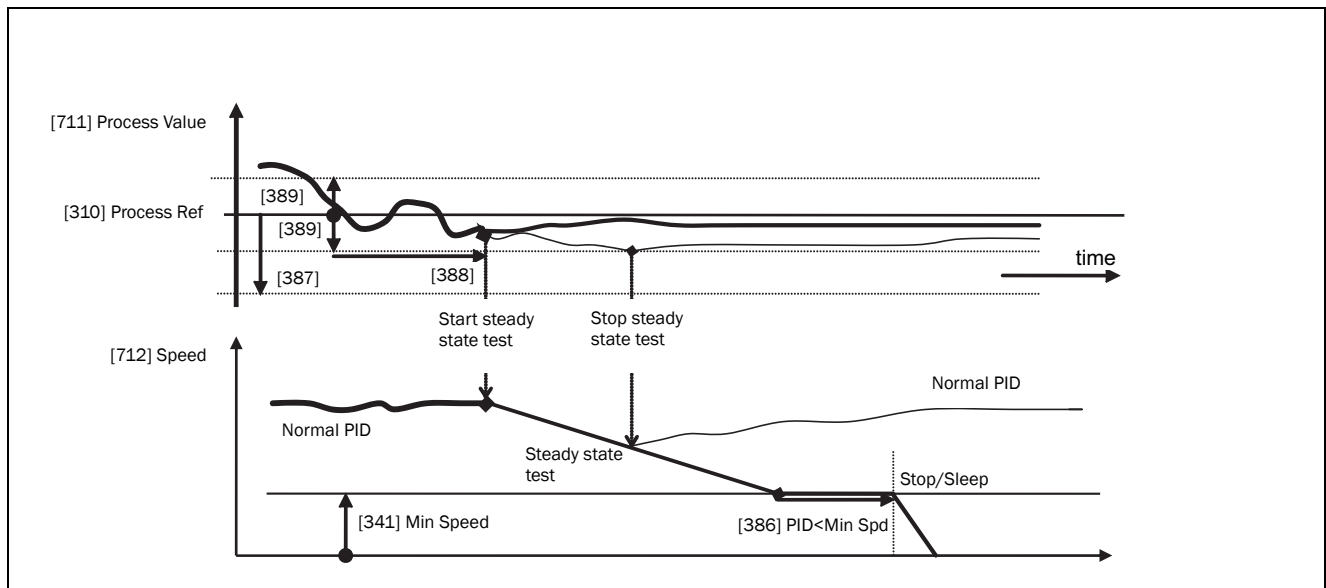


Fig. 107 Steady state test

### 11.3.9 Pump/Fan Control [390]

The Pump Control functions are in menu [390]. The function is used to control a number of drives (pumps, fans, etc.) of which one is always driven by the AC drive.

#### Pump enable [391]

This function will enable the pump control to set all relevant pump control functions.

		<b>391 Pump enable</b> Stp <b>A</b> Off
Default:		Off
Off	0	Pump control is switched off.
On	1	Pump control is on: - Pump control parameters [392] to [39G] appear and are activated according to default settings. - View functions [39H] to [39M] are added in the menu structure.

#### Communication information

Modbus Instance no/DeviceNet no:	43161
Profibus slot/index	169/65
EtherCAT index (hex)	4c59
Profinet IO index	19545
Fieldbus format	UInt
Modbus format	UInt

#### Number of Drives [392]

Sets the total number of drives which are used, including the Master AC drive. The setting here depends on the parameter "Select Drive [393]". After the number of drives is chosen it is important to set the relays for the pump control. If the digital inputs are also used for status feedback, these must be set for the pump control according to; Pump 1 OK– Pump6 OK in menu [520].

		<b>392 No of Drives</b> Stp <b>A</b> 1
Default:		1
1-3		Number of drives if I/O Board is not used.
1-6		Number of drives if 'Alternating MASTER' is used, see Select Drive [393]. (I/O Board is used.)
1-7		Number of drives if 'Fixed MASTER' is used, see Select Drive [393]. (I/O Board is used.)

**NOTE: Used relays must be defined as Slave Pump or Master Pump. Used digital inputs must be defined as Pump Feedback.**

#### Communication information

Modbus Instance no/DeviceNet no:	43162
Profibus slot/index	169/66
EtherCAT index (hex)	4c5a
Fieldbus format	UInt
Modbus format	UInt

#### Select Drive [393]

Sets the main operation of the pump system. 'Sequence' and 'Runtime' are Fixed MASTER operation. 'All' means Alternating MASTER operation.

		<b>393 Select Drive</b> Stp <b>A</b> Sequence
Default:		Sequence
Sequence	0	Fixed MASTER operation: - The additional drives will be selected in sequence, i.e. first pump 1 then pump 2 etc. - A maximum of 7 drives can be used.
Run Time	1	Fixed MASTER operation: - The additional drives will be selected depending on the Run Time. So the drive with the lowest Run Time will be selected first. The Run Time is monitored in menus [39H] to [39M] in sequence. For each drive the Run Time can be reset. - When drives are stopped, the drive with the longest Run Time will be stopped first. - Maximum 7 drives can be used.
All	2	Alternating MASTER operation: - When the drive is powered up, one drive is selected as the Master drive. The selection criteria depends on the Change Condition [394]. The drive will be selected according to the Run Time. So the drive with the lowest Run Time will be selected first. The Run Time is monitored in menus [39H] to [39M] in sequence. For each drive the Run Time can be reset. - A maximum of 6 drives can be used.

#### Communication information

Modbus Instance no/DeviceNet no:	43163
Profibus slot/index	169/67
EtherCAT index (hex)	4c5b
Profinet IO index	19547
Fieldbus format	UInt, 1=1
Modbus format	UInt

**NOTE: This menu will NOT be active if less than 3 drives are selected.**

## Change Condition [394]

This parameter determines the criteria for changing the master. This menu only appears if Alternating MASTER operation is selected. The elapsed run time of each drive is monitored. The elapsed run time always determines which drive will be the 'new' master drive.

This function is only active if the parameter "Select Drive [393]"=All.

		<b>394 Change Cond</b> Stp <b>A</b> <b>Both</b>
Default:		Both
Stop	0	The Runtime of the master drive determines when a master drive has to be changed. The change will only take place after a: - Power Up - Stop - Standby condition - Trip condition.
Timer	1	The master drive will be changed if the timer setting in Change Timer [395] has elapsed. The change will take place immediately. So during operation the additional pumps will be stopped temporarily, the 'new' master will be selected according to the Run Time and the additional pumps will be started again. It is possible to leave 2 pumps running during the change operation. This can be set with Drives on Change [396].
Both	2	The master drive will be changed if the timer setting in Change Timer [395] has elapsed. The 'new' master will be selected according to the elapsed Run Time. The change will only take place after a: - Power Up - Stop - Standby condition. - Trip condition.

### Communication information

Modbus Instance no/DeviceNet no:	43164
Profibus slot/index	169/68
EtherCAT index (hex)	4c5c
Profinet IO index	19548
Fieldbus format	UInt
Modbus format	UInt

**NOTE: If the Status feedback inputs (Digin 9 to Digin 14) are used, the master drive will be changed immediately if the feedback generates an 'Error'.**

## Change Timer [395]

When the time set here is elapsed, the master drive will be changed. This function is only active if "Select Drive [393]"=All and "Change Cond [394]"= Timer/ Both.

<b>395 Change Timer</b> Stp <b>A</b> <b>50h</b>	
Default:	50 h
Range:	1-3000 h

### Communication information

Modbus Instance no/DeviceNet no:	43165
Profibus slot/index	169/69
EtherCAT index (hex)	4c5d
Profinet IO index	19549
Fieldbus format	UInt, 1=1 h
Modbus format	UInt, 1=1 h

## Drives on Change [396]

If a master drive is changed according to the timer function (Change Condition=Timer/Both [394]), it is possible to leave additional pumps running during the change operation. With this function the change operation will be as smooth as possible. The maximum number to be programmed in this menu depends on the number of additional drives.

### Example:

If the number of drives is set to 6, the maximum value will be 4. This function is only active if "Select Drive [393]"=All.

<b>396 Drives on Ch</b> Stp <b>A</b> <b>0</b>	
Default:	0
Range:	0 to (the number of drives - 2)

### Communication information

Modbus Instance no/DeviceNet no:	43166
Profibus slot/index	169/70
EtherCAT index (hex)	4c5e
Profinet IO index	19550
Fieldbus format	UInt
Modbus format	UInt

## Upper Band [397]

If the speed of the master drive comes into the upper band, an additional drive will be added after a delay time that is set in “Start delay [399]”.

<b>397 Upper Band</b> Stp <b>A</b> 10%	
Default:	10%
Range:	0-100% of total min speed to max speed

### Communication information

Modbus Instance no/DeviceNet no:	43167
Profibus slot/index	169/71
EtherCAT index (hex)	4c5f
Profinet IO index	19551
Fieldbus format	Long, 1=1%
Modbus format	Elnt

### Example:

Max Speed = 1500 rpm  
Min Speed = 300 rpm  
Upper Band = 10%

Start delay will be activated:  
Range = Max Speed to Min Speed = 1500–300 = 1200 rpm  
10% of 1200 rpm = 120 rpm  
Start level = 1500–120 = 1380 rpm

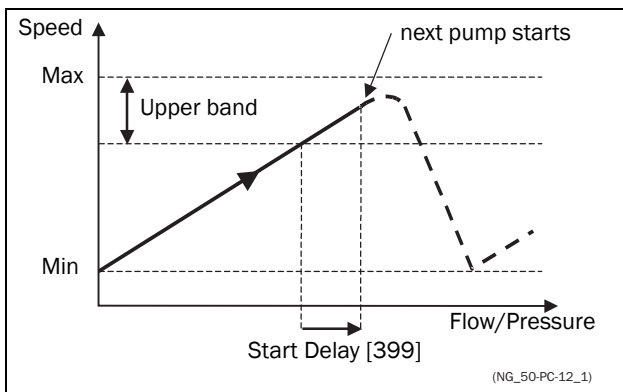


Fig. 108 Upper band

## Lower Band [398]

If the speed of the master drive comes into the lower band an additional drive will be stopped after a delay time. This delay time is set in the parameter “Stop Delay [39A]”.

<b>398 Lower Band</b> Stp <b>A</b> 10%	
Default:	10%
Range:	0-100% of total min speed to max speed

### Communication information

Modbus Instance no/DeviceNet no:	43168
Profibus slot/index	169/72
EtherCAT index (hex)	4c60
Profinet IO index	19552
Fieldbus format	Long, 1=1%
Modbus format	Elnt

### Example:

Max Speed = 1500 rpm  
Min Speed = 300 rpm  
Lower Band = 10%

Stop delay will be activated:  
Range = Max Speed - Min Speed = 1500–300 = 1200 rpm  
10% of 1200 rpm = 120 rpm  
Start level = 300 + 120 = 420 rpm

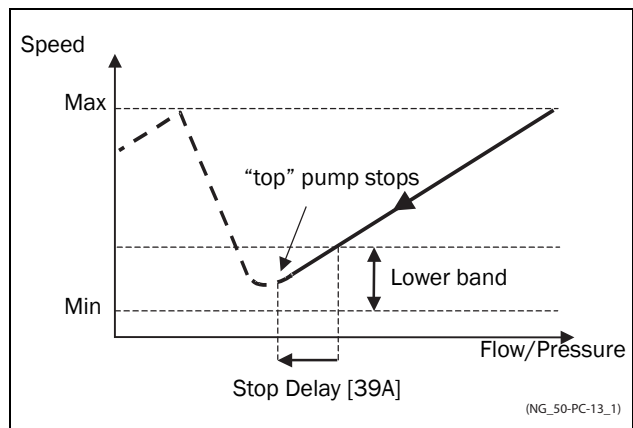


Fig. 109 Lower band

## Start Delay [399]

This delay time must have elapsed before the next pump is started. A delay time prevents the nervous switching of pumps.

<b>399 Start Delay</b> Stp <b>A</b> 0s	
Default:	0 s
Range:	0-999 s

### Communication information

Modbus Instance no/DeviceNet no:	43169
Profibus slot/index	169/73
EtherCAT index (hex)	4c61
Profinet IO index	19553
Fieldbus format	Long, 1=1s
Modbus format	Elnt

## Stop Delay [39A]

This delay time must have elapsed before the 'top' pump is stopped. A delay time prevents the nervous switching of pumps.

<b>39A Stop Delay</b> Stp <b>A</b> 0s	
Default:	0 s
Range:	0-999 s

### Communication information

Modbus Instance no/DeviceNet no:	43170
Profibus slot/index	169/74
EtherCAT index (hex)	4c62
Profinet IO index	19554
Fieldbus format	Long, 1=1 s
Modbus format	Elnt

## Upper Band Limit [39B]

If the speed of the pump reaches the upper band limit, the next pump is started immediately without delay. If a start delay is used this delay will be ignored. Range is between 0%, equalling max speed, and the set percentage for the "UpperBand [397]".

<b>39B Upp Band Lim</b> Stp <b>A</b> 0%	
Default:	0%
Range:	0 to Upper Band level. 0% (=max speed) means that the Limit function is switched off.

### Communication information

Modbus Instance no/DeviceNet no:	43171
Profibus slot/index	169/75
EtherCAT index (hex)	4c63
Profinet IO index	19555
Fieldbus format	Long, 1=1%
Modbus format	Elnt

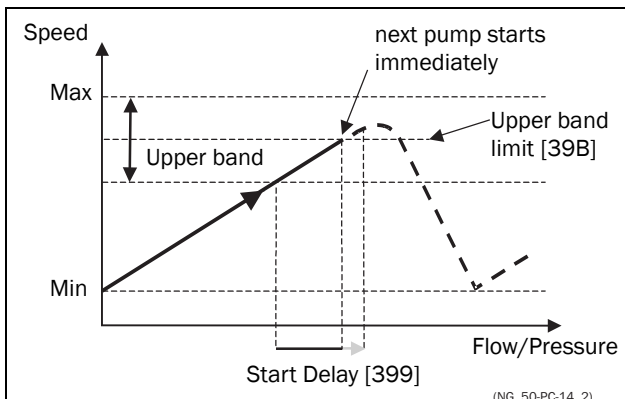


Fig. 110 Upper band limit

## Lower Band Limit [39C]

If the speed of the pump reaches the lower band limit, the 'top' pump is stopped immediately without delay. If a stop delay is used this delay will be ignored. Range is from 0%, equalling min speed, to the set percentage for the "Lower Band [398]".

<b>39C Low Band Lim</b> Stp <b>A</b> 0%	
Default:	0%
Range:	0 to Lower Band level. 0% (=min speed) means that the Limit function is switched off.

### Communication information

Modbus Instance no/DeviceNet no:	43172
Profibus slot/index	169/76
EtherCAT index (hex)	4c64
Profinet IO index	19556
Fieldbus format	Long, 1=1%
Modbus format	Elnt

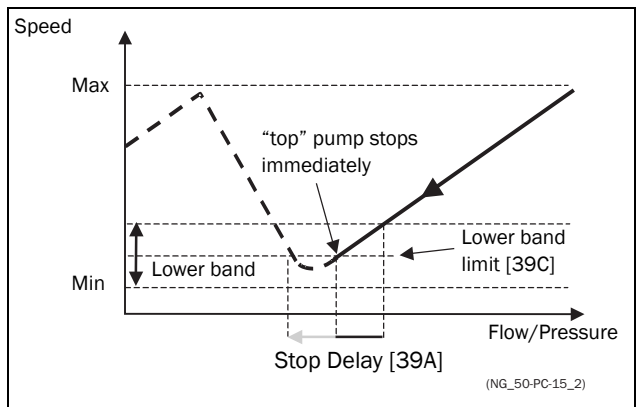


Fig. 111 Lower band limit

## Settle Time Start [39D]

The settle start allows the process to settle after a pump is switched on before the pump control continues. If an additional pump is started D.O.L. (Direct On Line) or Y/Δ, the flow or pressure can still fluctuate due to the 'rough' start/stop method. This could cause unnecessary starting and stopping of additional pumps.

### During the Settle start:

- PID controller is off.
- The speed is kept at a fixed level after adding a pump.

<b>39D Settle Start</b>	
Stp <b>A</b> 0s	
Default:	0 s
Range:	0-999 s

### Communication information

Modbus Instance no/DeviceNet no:	43173
Profibus slot/index	169/77
EtherCAT index (hex)	4c65
Profinet IO index	19557
Fieldbus format	Long, 1=1 s
Modbus format	Elnt

## Transition Speed Start [39E]

The transition speed start is used to minimize a flow/pressure overshoot when adding another pump. When an additional pump needs to be switched on, the master pump will slow down to the set transition speed start value, before the additional pump is started. The setting depends on the dynamics of both the master drive and the additional drives.

The transition speed is best set by trial and error.

### In general:

- If the additional pump has 'slow' start/stop dynamics, then a higher transition speed should be used.
- If the additional pump has 'fast' start/stop dynamics, then a lower transition speed should be used.

<b>39E TransS Start</b>	
Stp <b>A</b> 60%	
Default:	60%
Range:	0-100% of total min speed to max speed

### Communication information

Modbus Instance no/DeviceNet no:	43174
Profibus slot/index	169/78
EtherCAT index (hex)	4c66
Profinet IO index	19558
Fieldbus format	Long, 1=1%
Modbus format	Elnt

**NOTE: If set to 100 %, the transition speed, when starting pumps, is ignored and no speed adaption is made.**

**I.e. the slave pump is started directly and speed of the master pump is maintained.**

### Example

Max Speed = 1500 rpm

Min Speed = 200 rpm

TransS Start = 60%

When an additional pump is needed, the speed will be controlled down to min speed + (60% x (1500 rpm - 200 rpm)) = 200 rpm + 780 rpm = 980 rpm. When this speed is reached, the additional pump with the lowest run time hours will be switched on.

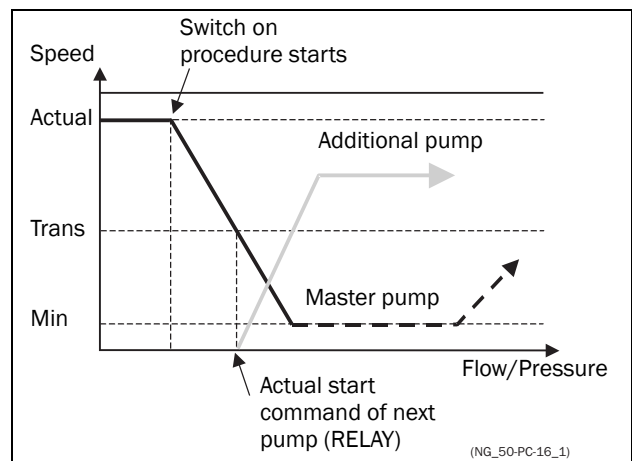


Fig. 112 Transition speed start

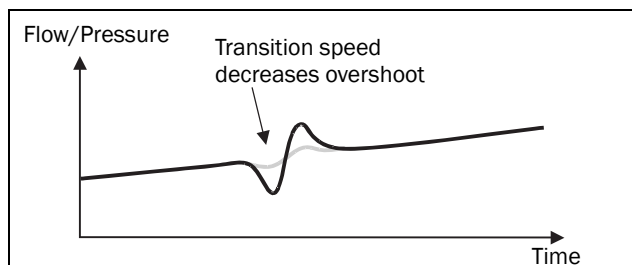


Fig. 113 Effect of transition speed

## Settle Time Stop [39F]

The settle stop allows the process to settle after a pump is switched off before the pump control continues. If an additional pump is stopped D.O.L. (Direct On Line) or Y/ $\Delta$ , the flow or pressure can still fluctuate due to the 'rough' start/stop method. This could cause unnecessary starting and stopping of additional pumps.

### During the Settle stop:

- PID controller is off.
- the speed is kept at a fixed level after stopping a pump

<b>39F Settle Stop</b>	
Stp <b>A</b> 0s	
Default:	0 s
Range:	0–999 s

### Communication information

Modbus Instance no/DeviceNet no:	43175
Profibus slot/index	169/79
EtherCAT index (hex)	4c67
Profinet IO index	19559
Fieldbus format	Long, 1=1 s
Modbus format	Elnt

## Transition Speed Stop [39G]

The transition speed stop is used to minimize a flow/pressure overshoot when shutting down an additional pump. The setting depends on the dynamics of both the master drive and the additional drives.

### In general:

- If the additional pump has 'slow' start/stop dynamics, then a higher transition speed should be used.
- If the additional pump has 'fast' start/stop dynamics, then a lower transition speed should be used.

<b>39G TransS Stop</b>	
Stp <b>A</b> 60%	
Default:	60%
Range:	0-100% of total min speed to max speed

### Communication information

Modbus Instance no/DeviceNet no:	43176
Profibus slot/index	169/80
EtherCAT index (hex)	4c68
Profinet IO index	19560
Fieldbus format	Long, 1=1%
Modbus format	Elnt

**NOTE: If set to 0 %, the transition speed when stopping pumps, is ignored and no speed adaption is made. I.e. the slave pump is stopped directly and speed of the master pump is continued.**

### Example

Max Speed = 1500 rpm

Min Speed = 200 rpm

TransS Start = 60%

When less additional pumps are needed, the speed will be controlled up to min speed + (60% x (1500 rpm - 200 rpm)) = 200 rpm + 780 rpm = 980 rpm. When this speed is reached, the additional pump with the highest run time hours will be switched off.

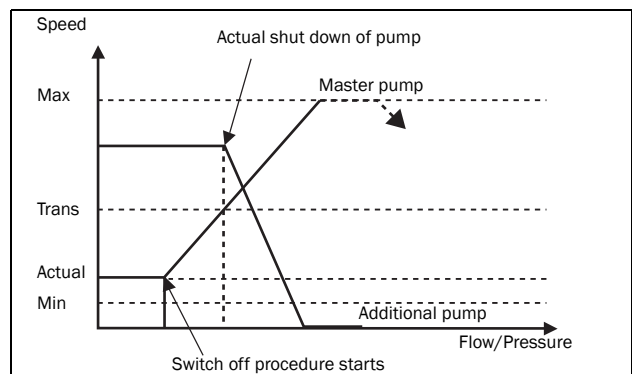


Fig. 114 Transition speed stop



## Run Times 1-6 [39H] to [39M]

<b>39H Run Time 1</b> Stp <b>A</b> h:mm:ss	
Unit:	h:mm:ss (hours:minutes:seconds)
Range:	0:00:00-262143:59:59

### Communication information

Modbus Instance no/ DeviceNet no:	31051 : 31052 : 31053(hr:min:sec) 31054 : 31055: 31056(hr:min:sec) 31057 : 31058: 31059(hr:min:sec) 31060 : 31061: 31062(hr:min:sec) 31063 : 31064: 31065(hr:min:sec) 31066 : 31067: 31068(hr:min:sec)
Profibus slot/index	121/195, 121/196, 121/197, 121/198, 121/199, 121/200, 121/201, 121/202, 121/203, 121/204, 121/205, 121/206, 121/207, 121/208, 121/209, 121/210, 121/211, 121/212
EtherCAT index (hex)	241b : 241c : 241d 241e : 241f : 2420 2421 : 2422 : 2423 2424 : 2425 : 2426 2427 : 2428 : 2429 242a : 242b : 242c
Profinet IO index	1051:1052:1053 - 1068
Fieldbus format	Long, 1=1h/m/s
Modbus format	Elnt

## Reset Run Times 1-6 [39H1] to [39M1]

<b>39H1 Rst Run Tm1</b> Stp <b>A</b> No	
Default:	No
No	0
Yes	1

### Communication information

Modbus Instance no/DeviceNet no:	38-43, pump 1 -6
Profibus slot/index	0/37-0/42
EtherCAT index (hex)	2026 - 202b
Profinet IO index	38 - 43
Fieldbus format	UInt
Modbus format	UInt

## Pump Status [39N]

<b>39N Pump 123456</b> Stp <b>A</b> --OCD-	
---	--

Indication	Description
C	Control, master pump, only when alternating master is used
D	Direct control
O	Pump is off
E	Pump error

### Communication information

Modbus Instance no/DeviceNet no:	31069
Profibus slot/index	121/213
EtherCAT index (hex)	242d
Profinet IO index	1069
Fieldbus format	UInt
Modbus format	UInt

## Number backup/reserve [39P]

Sets the number of pumps used for backup/reserve which in normal conditions can not be selected. This function can be used for increasing redundancy in the pump system by having pumps in reserve that can be activated when some pumps indicate fault or are shut off for maintenance.

<b>39P No of Backup</b> Stp <b>A</b> 0	
Default:	0
Range:	0-3

### Communication information

Modbus Instance no/DeviceNet no:	43177
Profibus slot/index	169/81
EtherCAT index (hex)	4c69
Profinet IO index	19561
Fieldbus format	UInt
Modbus format	UInt

## 11.4 Load Monitor and Process Protection [400]

### 11.4.1 Load Monitor [410]

The monitor functions enable the AC drive to be used as a load monitor. Load monitors are used to protect machines and processes against mechanical overload and underload, e.g. a conveyer belt or screw conveyer jamming, belt failure on a fan and a pump dry running. See explanation in section Fig. 61, page 58.

### Alarm Select [411]

Selects the types of alarms that are active.

<b>411 Alarm Select</b> Stp <b>A</b> <b>Off</b>		
Default:	Off	
Off	0	No alarm functions active.
Min	1	Min Alarm active. The alarm output functions as an underload alarm.
Max	2	Max Alarm active. The alarm output functions as an overload alarm.
Max+Min	3	Both Max and Min alarm are active. The alarm outputs function as overload and underload alarms.

#### Communication information

Modbus Instance no/DeviceNet no:	43321
Profibus slot/index	169/225
EtherCAT index (hex)	4cf9
Profinet IO index	19705
Fieldbus format	UInt
Modbus format	UInt

### Alarm Trip [412]

Selects which alarm must cause a trip to the AC drive.

<b>412 Alarm trip</b> Stp <b>A</b> <b>Off</b>	
Default:	Off
Selection:	Same as in menu [411]

#### Communication information

Modbus Instance no/DeviceNet no:	43322
Profibus slot/index	169/226
EtherCAT index (hex)	4cfa
Profinet IO index	19706
Fieldbus format	UInt
Modbus format	UInt

### Ramp Alarm [413]

This function inhibits the (pre) alarm signals during acceleration/deceleration of the motor to avoid false alarms.

<b>413 Ramp Alarm</b> Stp <b>A</b> <b>Off</b>		
Default:	Off	
Off	0	(Pre) alarms are inhibited during acceleration/deceleration.
On	1	(Pre) alarms active during acceleration/deceleration.

#### Communication information

Modbus Instance no/DeviceNet no:	43323
Profibus slot/index	169/227
EtherCAT index (hex)	4cfb
Profinet IO index	19707
Fieldbus format	UInt
Modbus format	UInt

### Alarm Start Delay [414]

This parameter is used if, for example, you want to override an alarm during the start-up procedure.

Sets the delay time after a run command, after which the alarm may be given.

- If Ramp Alarm=On. The start delay begins after a RUN command.
- If Ramp Alarm=Off. The start delay begins after the acceleration ramp.

<b>414 Start Delay</b> Stp <b>A</b> <b>2s</b>	
Default:	2 s
Range:	0-3600 s

#### Communication information

Modbus Instance no/DeviceNet no:	43324
Profibus slot/index	169/228
EtherCAT index (hex)	4cfc
Profinet IO index	19708
Fieldbus format	Long, 1=1 s
Modbus format	Elnt

## Load Type [415]

In this menu you select monitor type according to the load characteristic of your application. By selecting the required monitor type, the overload and underload alarm function can be optimized according to the load characteristic.

When the application has a constant load over the whole speed range, i.e. extruder or screw compressor, the load type can be set to basic. This type uses a single value as a reference for the nominal load. This value is used for the complete speed range of the AC drive. The value can be set or automatically measured. See Autoset Alarm [41A] and "Normal Load [41B]" about setting the nominal load reference.

The load curve mode uses an interpolated curve with 9 load values at 8 equal speed intervals. This curve is populated by a test run with a real load. This can be used with any smooth load curve including constant load.

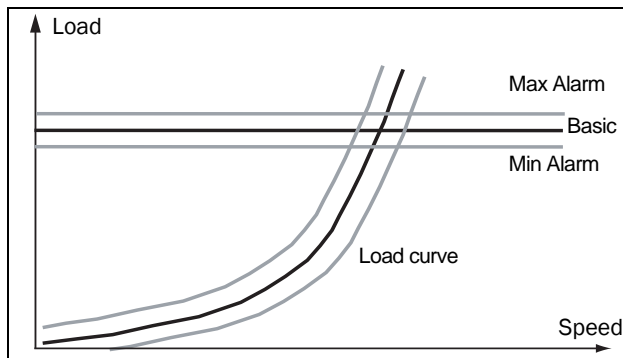


Fig. 115

<b>415 Load Type</b>	
Stp <b>A</b> <b>Basic</b>	
Default:	Basic
Basic	0 Uses a fixed maximum and minimum load level over the full speed range. Can be used in situations where the torque is independent of the speed.
Load Curve	1 Uses the measured actual load characteristic of the process over the speed range.

### Communication information

Modbus Instance no/DeviceNet no:	43325
Profibus slot/index	169/229
EtherCAT index (hex)	4cfd
Profinet IO index	19709
Fieldbus format	UInt
Modbus format	UInt

## Max Alarm [416]

### Max Alarm Margin [4161]

With load type Basic, [415], used the Max Alarm Margin sets the band above the "Normal Load [41B]" menu that does not generate an alarm. With load type Load Curve [415], used the Max Alarm Margin sets the band above the Load Curve [41C], that does not generate an alarm. The Max Alarm Margin is a percentage of nominal motor torque.

<b>4161 MaxAlarmMar</b>	
Stp <b>A</b> <b>15%</b>	
Default:	15%
Range:	0-400%

### Communication information

Modbus Instance no/DeviceNet no:	43326
Profibus slot/index	169/230
EtherCAT index (hex)	4cfe
Profinet IO index	19710
Fieldbus format	Long, 1=1%
Modbus format	Eint

### Max Alarm delay [4162]

When the load level without interruption exceeds the alarm level longer than set "Max Alarm delay" time, an alarm is activated.

<b>4162 MaxAlarmDel</b>	
Stp <b>A</b> <b>0.1s</b>	
Default:	0.1 s
Range:	0-90 s

### Communication information

Modbus Instance no/DeviceNet no:	43330
Profibus slot/index	169/234
EtherCAT index (hex)	4d02
Profinet IO index	19714
Fieldbus format	Long, 1=0.1 s
Modbus format	EInt

## Max Pre Alarm [417]

### Max Pre AlarmMargin [4171]

With load type Basic [415], used the Max Pre-Alarm Margin sets the band above the Normal Load, [41B], menu that does not generate a pre-alarm. With load type Load Curve, [415], used the Max Pre-Alarm Margin sets the band above the Load Curve, [41C], that does not generate a pre-alarm.

The Max Pre-Alarm Margin is a percentage of nominal motor torque.

<b>4171 MaxPreAlMar</b> Stp <b>A</b> <span style="float: right;"><b>10%</b></span>	
Default:	10%
Range:	0-400%

#### Communication information

Modbus Instance no/DeviceNet no:	43327
Profibus slot/index	169/231
EtherCAT index (hex)	4cff
Profinet IO index	19711
Fieldbus format	Long, 1=1%
Modbus format	Elnt

#### Max Pre Alarm delay [4172]

When the load level without interruption exceeds the alarm level longer than set “Max PreAlarm delay” time, a warning is activated.

<b>4172 MaxPreAlDel</b> Stp <b>A</b> <span style="float: right;"><b>0.1 s</b></span>	
Default:	0.1 s
Range:	0-90 s

#### Communication information

Modbus Instance no/DeviceNet no:	43331
Profibus slot/index	169/235
EtherCAT index (hex)	4d03
Profinet IO index	19715
Fieldbus format	Long, 1=0.1 s
Modbus format	Elnt

#### Min Pre Alarm [418]

##### Min Pre Alarm Margin [4181]

With load type Basic, [415], used the Min Pre-Alarm Margin sets the band under the Normal Load, [41B], menu that does not generate a pre-alarm. With load type Load Curve, [415], used the Min Pre-Alarm Margin sets the band under the Load Curve, [41C], that does not generate a pre-alarm. The Min Pre-Alarm Margin is a percentage of nominal motor torque.

<b>4181 MinPreAlMar</b> Stp <b>A</b> <span style="float: right;"><b>10%</b></span>	
Default:	10%
Range:	0-400%

#### Communication information

Modbus Instance no/DeviceNet no:	43328
Profibus slot/index	169/232
EtherCAT index (hex)	4d00
Profinet IO index	19712
Fieldbus format	Long, 1=1%
Modbus format	Elnt

##### Min Pre Alarm Response delay [4182]

When the load level without interruption is below the alarm level longer than set “Min PreAlarm delay” time, a warning is activated.

<b>4182 MinPreAlDel</b> Stp <b>A</b> <span style="float: right;"><b>0.1 s</b></span>	
Default:	0.1 s
Range:	0-90 s

#### Communication information

Modbus Instance no/DeviceNet no:	43332
Profibus slot/index	169/236
EtherCAT index (hex)	4d04
Profinet IO index	19716
Fieldbus format	Long, 1=0.1 s
Modbus format	Elnt

#### Min Alarm [419]

##### Min Alarm Margin [4191]

With load type Basic, [415], used the Min Alarm Margin sets the band under the “Normal Load [41B]”, menu that does not generate an alarm. With load type “Load Curve [415]”, used the Min Alarm Margin sets the band under the “Load Curve [41C]”, that does not generate an alarm. The Max Alarm Margin is a percentage of nominal motor torque.

<b>4191 MinAlarmMar</b> Stp <b>A</b> <span style="float: right;"><b>15%</b></span>	
Default:	15%
Range:	0-400%

#### Communication information

Modbus Instance no/DeviceNet no:	43329
Profibus slot/index	169/233
EtherCAT index (hex)	4d01
Profinet IO index	19713
Fieldbus format	Long, 1=1%
Modbus format	Elnt

## Min Alarm Response delay [4192]

When the load level without interruption is below the alarm level longer than set “Min Alarm delay” time, an alarm is activated.

<div style="border: 2px solid black; padding: 5px; display: inline-block;"> <b>4192 MinAlarmDel</b>                      Stp <b>A</b>                      <b>0.1s</b> </div>	
Default:	0.1 s
Range:	0-90 s

### Communication information

Modbus Instance no/DeviceNet no:	43333
Profibus slot/index	169/237
EtherCAT index (hex)	4d05
Profinet IO index	19717
Fieldbus format	Long, 1=0.1 s
Modbus format	Elnt

## Autoset Alarm [41A]

The Autoset Alarm function can measure the nominal load that is used as reference for the alarm levels. If the selected “Load Type [415]” is Basic it copies the load the motor is running with to the menu “Normal Load [41B]”. The motor must run on the speed that generates the load that needs to be recorded. If the selected “Load Type [415]” is Load Curve it performs a test-run and populates the “Load Curve [41C]” with the found load values.



**WARNING!**  
**When autoset does a test run the motor and application/machine will ramp up to maximum speed.**

**NOTE: The motor must be running for the Autoset Alarm function to succeed. A not running motor generates a “Failed!” message.**

<div style="border: 2px solid black; padding: 5px; display: inline-block;"> <b>41A AutoSet Alarm</b>                      Stp <b>A</b>                      <b>No</b> </div>	
Default:	No
No	0
Yes	1

### Communication information

Modbus Instance no/DeviceNet no:	43334
Profibus slot/index	169/238
EtherCAT index (hex)	4d06
Profinet IO index	19718
Fieldbus format	UInt
Modbus format	UInt

The default set levels for the (pre)alarms are:

Overload	Max Alarm	menu [4161] + [41B]
	Max Pre Alarm	menu [4171] + [41B]
Underload	Min Pre Alarm	menu [41B] - [4181]
	Min Alarm	menu [41B] - [4191]

These default set levels can be manually changed in menus [416] to [419]. After execution the message “Autoset OK!” is displayed for 1s and the selection reverts to “No”.

## Normal Load [41B]

Set the level of the normal load. The alarm or pre alarm will be activated when the load is above/under normal load ± margin.

<div style="border: 2px solid black; padding: 5px; display: inline-block;"> <b>41B Normal Load</b>                      Stp <b>A</b>                      <b>100%</b> </div>	
Default:	100%
Range:	0-400% of max torque

**NOTE: 100% Torque means:  $I_{NOM} = I_{MOT}$ . The maximum depends on the motor current and AC drive max current settings, but the absolute maximum adjustment is 400%.**

### Communication information

Modbus Instance no/DeviceNet no:	43335
Profibus slot/index	169/239
EtherCAT index (hex)	4d07
Profinet IO index	19719
Fieldbus format	Long, 1=1%
Modbus format	Elnt

## Load Curve [41C]

The load curve function can be used with any smooth load curve. The curve can be populated with a test-run or the values can be entered or changed manually.

### Load Curve 1-9 [41C1]-[41C9]

The measured load curve is based on 9 stored samples. The curve starts at minimum speed and ends at maximum speed, the range in between is divided into 8 equal steps. The measured values of each sample are displayed in [41C1] to [41C9] and can be adapted manually. The value of the 1st sampled value on the load curve is displayed.

<div style="border: 2px solid black; padding: 5px; display: inline-block;"> <b>41C1 Load Curve1</b>                      Stp <b>A</b>                      <b>0rpm 100%</b> </div>	
Default:	100%
Range:	0-400% of max torque

Communication information

Modbus Instance no/DeviceNet no:	43336%, 43337 rpm, 43338 %, 43339 rpm, 43340 %, 43341 rpm, 43342 %, 43343 rpm, 43344 %, 43345 rpm, 43346 %, 43347 rpm, 43348 %, 43349 rpm, 43350 %, 43351 rpm, 43352 %, 43353 rpm
Profibus slot/index	169/240, 169/242, 169/ 244, 169/246, 169/248, 169/250, 169/252, 169/ 254, 170/1
EtherCAT index (hex)	4d08 %, 4d09 rpm, 4d0a %, 4d0b rpm, 4d0c %, 4d0d rpm, 4d0e %, 4d0f rpm, 4d10 %, 4d11 rpm, 4d12 %, 4d13 rpm, 4d14 %, 4d15 rpm, 4d16 %, 4d17 rpm, 4d18 %, 4d19 rpm
Profinet IO index	19720 %, 19721 rpm, 19722 %, 19723 rpm, 19724 %, 19725 rpm, 19726 %, 19727 rpm, 19728 %, 19729 rpm, 19730 %, 19731 rpm, 19732 %, 19733 rpm, 19734 %, 19735 rpm, 19736 %, 19738 rpm,
Fieldbus format	Long, 1= 1 %, Int 1=1 rpm
Modbus format	Elnt

**NOTE: The speed values depend on the Min- and Max Speed values. they are read only and cannot be changed.**

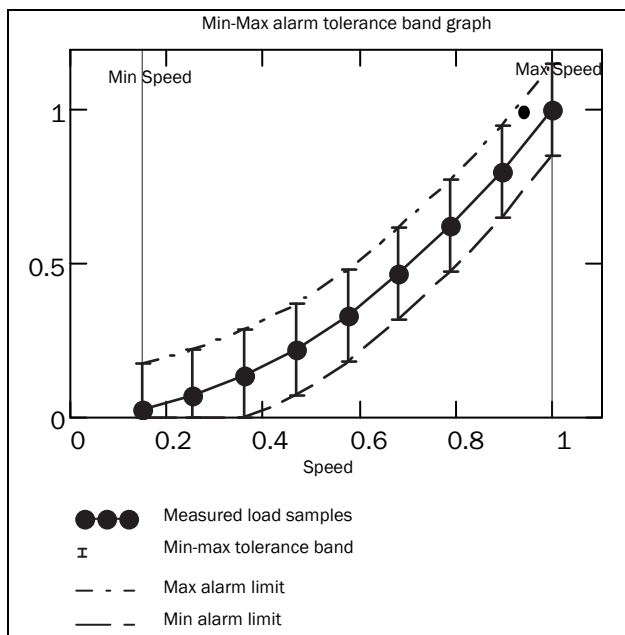


Fig. 116

### 11.4.2 Process Protection [420]

Submenu with settings regarding protection functions for the AC drive and the motor.

#### Low Voltage Override [421]

If a dip in the mains supply occurs and the low voltage override function is enabled, the AC drive will automatically decrease the motor speed to keep control of the application and prevent an under voltage trip until the input voltage rises again. Therefore the rotating energy in the motor/load is used to keep the DC link voltage level at the override level, for as long as possible or until the motor comes to a standstill. This is dependent on the inertia of the motor/load combination and the load of the motor at the time the dip occurs, see Fig. 117.

<b>421 Low Volt OR</b>	
Stp <b>A</b> On	
Default:	On
Off	0 At a voltage dip the low voltage trip will protect.
On	1 At mains dip, AC drive ramps down until voltage rises.

Communication information

Modbus Instance no/DeviceNet no:	43361
Profibus slot/index	170/10
EtherCAT index (hex)	4d21
Profinet IO index	19745
Fieldbus format	UInt
Modbus format	UInt

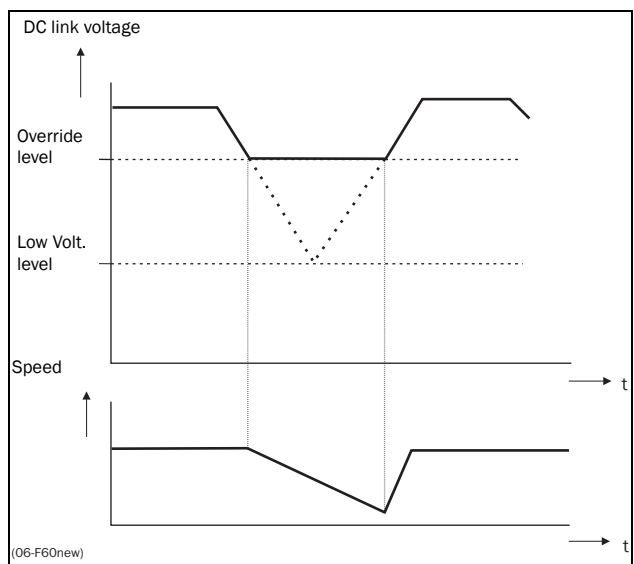


Fig. 117 Low voltage override

**NOTE: During the low voltage override the LED trip/limit blinks.**

## Rotor locked [422]

With the rotor locked function enabled, the AC drive will protect the motor and application when this is stalled whilst increasing the motor speed from standstill. This protection will coast the motor to stop and indicate a fault when the Torque Limit has been active at very low speed for more than 5 seconds.

<b>422 Rotor locked</b> Stp <b>A</b> <span style="float: right;">Off</span>		
Default:	Off	
Off	0	No detection
On	1	AC drive will trip when locked rotor is detected. Trip message "Locked Rotor".

### Communication information

Modbus Instance no/DeviceNet no:	43362
Profibus slot/index	170/11
EtherCAT index (hex)	4d22
Profinet IO index	19746
Fieldbus format	UInt
Modbus format	UInt

## Motor lost [423]

With the motor lost function enabled, the AC drive is able to detect a fault in the motor circuit: motor, motor cable, thermal relay or output filter. Motor lost will cause a trip, and the motor will coast to standstill, when a missing motor phase is detected during a period of 5 s.

<b>423 Motor lost</b> Stp <b>A</b> <span style="float: right;">Off</span>		
Default:	Off	
Off	0	Function switched off to be used if no motor or very small motor connected.
Trip	1	AC drive will trip when the motor is disconnected. Trip message "Motor Lost".
Start	2	Test for disconnected motor will only be performed during start routine.

### Communication information

Modbus Instance no/DeviceNet no:	43363
Profibus slot/index	170/12
EtherCAT index (hex)	4d23
Profinet IO index	19747
Fieldbus format	UInt
Modbus format	UInt

## Overvolt control [424]

Used to switch off the overvoltage control function when only braking by brake chopper and resistor is required. The overvoltage control function, limits the braking torque so that the DC link voltage level is controlled at a high, but safe, level. This is achieved by limiting the actual deceleration rate during stopping. In case of a defect at the brake chopper or the brake resistor the AC drive will trip for "Overvoltage" to avoid a fall of the load e.g. in crane applications.

**NOTE: Overvoltage control should not be activated if brake chopper is used.**

<b>424 Over Volt Ctl</b> Stp <b>A</b> <span style="float: right;">On</span>		
Default:	On	
On	0	Overvoltage control activated
Off	1	Overvoltage control off

### Communication information

Modbus Instance no/DeviceNet no:	43364
Profibus slot/index	170/13
EtherCAT index (hex)	4d24
Profinet IO index	19748
Fieldbus format	UInt
Modbus format	UInt

## 11.5 I/Os and Virtual Connections [500]

Main menu with all the settings of the standard inputs and outputs of the AC drive.

### 11.5.1 Analogue Inputs [510]

Submenu with all settings for the analogue inputs.

#### AnIn1 Function [511]

Sets the function for Analogue input 1. Scale and range are defined by AnIn1 Advanced settings [513].

511 AnIn1 Fc Stp <b>A</b> Process Ref		
Default:		Process Ref
Off	0	Input is not active
Max Speed	1	The input acts as an upper speed limit.
Max Torque	2	The input acts as an upper torque limit.
Process Val	3	The input value equals the actual process value (feedback) and is compared to the reference signal (set point) by the PID controller, or can be used to display and view the actual process value.
Process Ref	4	Reference value is set for control in process units, see Process Source [321] and Process Unit [322].
Min Speed	5	The input acts as a lower speed limit.

#### Communication information

Modbus Instance no/DeviceNet no:	43201
Profibus slot/index	169/105
EtherCAT index (hex)	4c81
Profinet IO index	19585
Fieldbus format	UInt
Modbus format	UInt

**NOTE: When AnInX Func=Off, the connected signal will still be available for Comparators [610].**

#### Adding analogue inputs

If more than one analogue input is set to the same function, the values of the inputs can be added together. In the following examples we assume that Process Source [321] is set to Speed.

Example 1: Add signals with different weight (fine tuning).

Signal on AnIn1 = 10 mA

Signal on AnIn2 = 5 mA

[511] AnIn1 Function = Process Ref.

[512] AnIn1 Setup = 4-20 mA

[5134] AnIn1 Function Min = Min (0 rpm)

[5136] AnIn1 Function Max = Max (1500 rpm)

[5138] AnIn1 Operation = Add+

[514] AnIn2 Function = Process Ref.

[515] AnIn2 Setup = 4-20 mA

[5164] AnIn2 Function Min = Min (0 rpm)

[5166] AnIn2 Function Max = User defined

[5167] AnIn2 Value Max = 300 rpm

[5168] AnIn2 Operation = Add+

Calculation:

$AnIn1 = (10-4) / (20-4) \times (1500-0) + 0 = 562.5 \text{ rpm}$

$AnIn2 = (5-4) / (20-4) \times (300-0) + 0 = 18.75 \text{ rpm}$

The actual process reference will be:

$+562.5 + 18.75 = 581 \text{ rpm}$

#### Analogue Input Selection via Digital Inputs:

When two different external Reference signals are used, e.g. 4-20mA signal from control centre and a 0-10 V locally mounted potentiometer, it is possible to switch between these two different analogue input signals via a Digital Input set to "AnIn Select".

AnIn1 is 4-20 mA

AnIn2 is 0-10 V

DigIn3 is controlling the AnIn selection; HIGH is 4-20 mA, LOW is 0-10 V

"[511] AnIn1 Fc" = Process Ref;  
set AnIn1 as reference signal input

"[512] AnIn1 Setup" = 4-20mA;  
set AnIn1 for a current reference signal

"[513A] AnIn1 Enabl" = DigIn;  
set AnIn1 to be active when DigIn3 is HIGH

"[514] AnIn2 Fc" = Process Ref;  
set AnIn2 as reference signal input

"[515] AnIn2 Setup" = 0-10V;  
set AnIn2 for a voltage reference signal

"[516A] AnIn2 Enabl" = !DigIn;  
set AnIn2 to be active when DigIn3 is LOW

"[523] DigIn3=AnIn";  
set DigIn3 as input for selection of AI reference

#### Subtracting analogue inputs

Example 2: Subtract two signals

Signal on AnIn1 = 8 V

Signal on AnIn2 = 4 V

[511] AnIn1 Function = Process Ref.

[512] AnIn1 Setup = 0-10 V

[5134] AnIn1 Function Min = Min (0 rpm)

[5136] AnIn1 Function Max = Max (1500 rpm)

[5138] AnIn1 Operation = Add+

[514] AnIn2 Function = Process Ref.

[515] AnIn2 Setup = 0-10 V

[5164] AnIn2 Function Min = Min (0 rpm)

[5166] AnIn2 Function Max = Max (1500 rpm)

[5168] AnIn2 Operation = Sub-



Calculation:

$$\text{AnIn1} = (8-0) / (10-0) \times (1500-0) + 0 = 1200 \text{ rpm}$$

$$\text{AnIn2} = (4-0) / (10-0) \times (1500-0) + 0 = 600 \text{ rpm}$$

The actual process reference will be:

$$+1200 - 600 = 600 \text{ rpm}$$

## AnIn1 Setup [512]

The analogue input setup is used to configure the analogue input in accordance with the signal used that will be connected to the analogue input. With this selection the input can be determined as current (4-20 mA) or voltage (0-10 V) controlled input. Other selections are available for using a threshold (live zero), a bipolar input function, or a user defined input range. With a bipolar input reference signal, it is possible to control the motor in two directions. See Fig. 118.

**NOTE: The selection of voltage or current input is done with S1. When the switch is in voltage mode only the voltage menu items are selectable. With the switch in current mode only the current menu items are selectable.**

<b>512 AnIn1 Setup</b>	
Stp <b>A</b> <b>4-20mA</b>	
Default:	4-20 mA
Dependent on	Setting of switch S1
4-20mA	0 The current input has a fixed threshold (Live Zero) of 4 mA and controls the full range for the input signal. See Fig. 120.
0-20mA	1 Normal full current scale configuration of the input that controls the full range for the input signal. See Fig. 119.
User mA	2 The scale of the current controlled input, that controls the full range for the input signal. Can be defined by the advanced AnIn Min and AnIn Max menus.
User Bipol mA	3 Sets the input for a bipolar current input, where the scale controls the range for the input signal. Scale can be defined in advanced menu AnIn Bipol.
0-10V	4 Normal full voltage scale configuration of the input that controls the full range for the input signal. See Fig. 119.
2-10V	5 The voltage input has a fixed threshold (Live Zero) of 2 V and controls the full range for the input signal. See Fig. 120.
User V	6 The scale of the voltage controlled input, that controls the full range for the input signal. Can be defined by the advanced AnIn Min and AnIn Max menus.
User Bipol V	7 Sets the input for a bipolar voltage input, where the scale controls the range for the input signal. Scale can be defined in advanced menu AnIn Bipol.

**NOTE: For bipolar function, input RunR and RunL needs to be active and Rotation, [219] must be set to "R+L".**

**NOTE: Always check the needed set up when the setting of S1 is changed; selection will not adapt automatically.**

### Communication information

Modbus Instance no/DeviceNet no:	43202
Profibus slot/index	169/106
EtherCAT index (hex)	4c82
Profinet IO index	19586
Fieldbus format	UInt
Modbus format	UInt

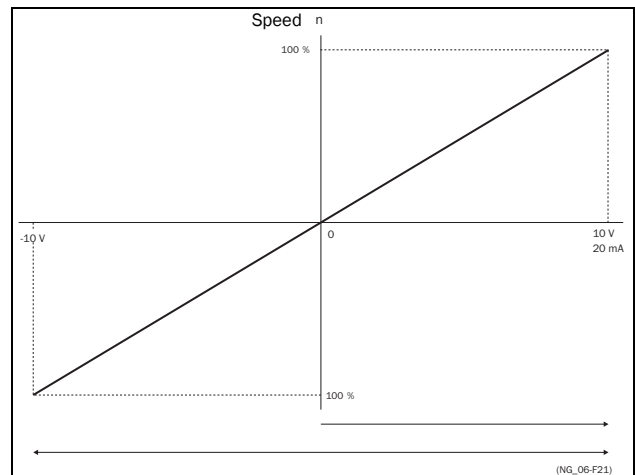


Fig. 118

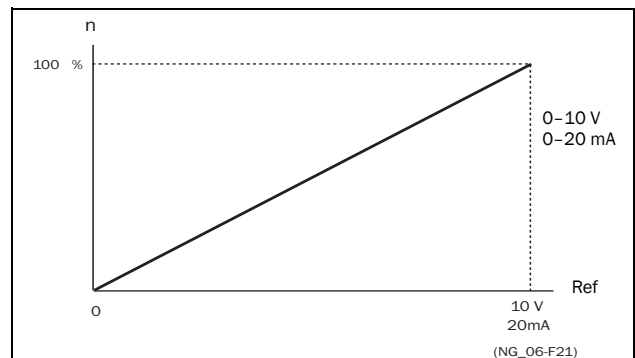


Fig. 119 Normal full-scale configuration

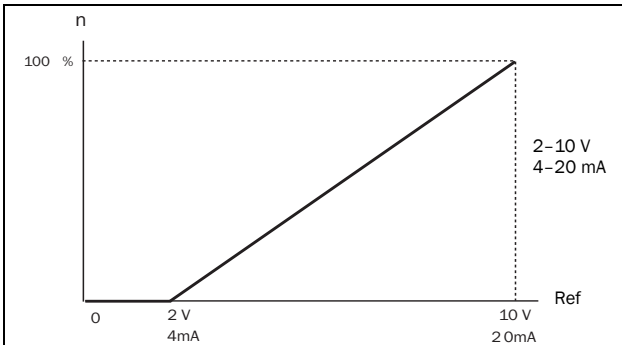


Fig. 120 2–10 V/4–20 mA (Live Zero)

## AnIn1 Advanced [513]

**NOTE: The different menus will automatically be set to either “mA” or “V”, based on the selection in AnIn 1 Setup [512].**



### AnIn1 Min [5131]

Parameter to set the minimum value of the external reference signal. Only visible if [512] = User mA/V.

<div style="border: 2px solid black; padding: 5px; display: inline-block;"> <b>5131 AnIn1 Min</b>            Stp <b>A</b>      0V/4.00mA         </div>	
Default:	0 V/4.00 mA
Range:	0.00–20.00 mA 0–10.00 V

### Communication information

Modbus Instance no/DeviceNet no:	43203
Profibus slot/index	169/107
EtherCAT index (hex)	4c83
Profinet IO index	19587
Fieldbus format	Long, 1=0.01 mA, 0.01 V
Modbus format	Elnt

### AnIn1 Max [5132]

Parameter to set the maximum value of the external reference signal. Only visible if [512] = User mA/V.

<div style="border: 2px solid black; padding: 5px; display: inline-block;"> <b>5132 AnIn1 Max</b>            Stp    10.0V/20.00mA         </div>	
Default:	10.00 V/20.00 mA
Range:	0.00–20.00 mA 0–10.00 V

### Communication information

Modbus Instance no/DeviceNet no:	43204
Profibus slot/index	169/108
EtherCAT index (hex)	4c84
Profinet IO index	19588
Fieldbus format	Long, 1=0.01 mA, 0.01 V
Modbus format	Elnt

### Special function: Inverted reference signal

If the AnIn minimum value is higher than the AnIn maximum value, the input will act as an inverted reference input, see Fig. 121.

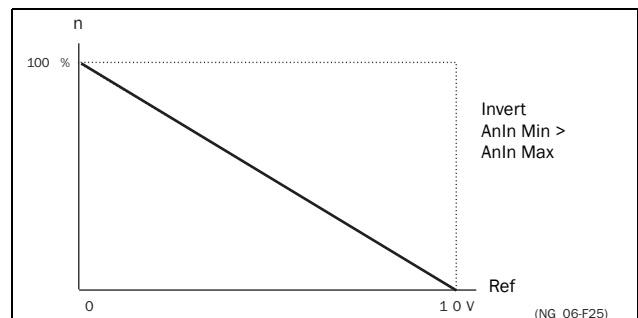


Fig. 121 Inverted reference

### AnIn1 Bipol [5133]

This menu is automatically displayed if AnIn1 Setup is set to User Bipol mA or User Bipol V. The window will automatically show mA or V range according to selected function. The range is set by changing the positive maximum value; the negative value is automatically adapted accordingly. Only visible if [512] = User Bipol mA/V. The inputs RunR and RunL input need to be active, and “Rotation [219]”, must be set to “R+L”, to operate the bipolar function on the analogue input.

<div style="border: 2px solid black; padding: 5px; display: inline-block;"> <b>5133 AnIn1 Bipol</b>            Stp <b>A</b> 10.00V/20.00mA         </div>	
Default:	10.00 V/20.00 mA
Range:	0.0–20.0 mA, 0.00–10.00 V

### Communication information

Modbus Instance no/DeviceNet no:	43205
Profibus slot/index	169/109
EtherCAT index (hex)	4c85
Profinet IO index	19589
Fieldbus format	Long, 1=0.01 mA, 0.01 V
Modbus format	Elnt

### AnIn1 Function Min [5134]

With AnIn1 Function Min the physical minimum value is scaled to selected process unit. The default scaling is dependent of the selected function of AnIn1 [511].

<b>5134 AnIn1 FcMin</b> Stp <b>A</b> <span style="float: right;"><b>Min</b></span>		
Default:	Min	
Min	0	Min value
Max	1	Max value
User-defined	2	Define user value in menu [5135]

Table 24 shows corresponding values for the min and max selections depending on the function of the analogue input [511].

Table 24

AnIn Function	Min	Max
Speed	Min Speed [341]	Max Speed [343]
Torque	0%	Max Torque [351]
Process Ref	Process Min [324]	Process Max [325]
Process Value	Process Min [324]	Process Max [325]

#### Communication information

Modbus Instance no/DeviceNet no:	43206
Profibus slot/index	169/110
EtherCAT index (hex)	4c86
Profinet IO index	19590
Fieldbus format	UInt
Modbus format	UInt

### AnIn1 Function Value Min [5135]

With AnIn1 Function ValMin you define a user-defined value for the signal. Only visible when user-defined is selected in menu [5134].

<b>5135 AnIn1 VaMin</b> Stp <b>A</b> <span style="float: right;"><b>0.000</b></span>	
Default:	0.000
Range:	-10000.000 – 10000.000

#### Communication information

Modbus Instance no/DeviceNet no:	43541
Profibus slot/index	170/190
EtherCAT index (hex)	4dd5
Profinet IO index	19925
Fieldbus format	Long, 1=1 rpm, 1 %, 1° or 0.001 if Process Value/Process Ref using a [322] unit
Modbus format	Elnt

### AnIn1 Function Max [5136]

With AnIn1 Function Max the physical maximum value is scaled to selected process unit. The default scaling is dependent of the selected function of AnIn1 [511]. See Table 24.

<b>5136 AnIn1 FcMax</b> Stp <b>A</b> <span style="float: right;"><b>Max</b></span>		
Default:	Max	
Min	0	Min value
Max	1	Max value
User-defined	2	Define user value in menu [5137]

#### Communication information

Modbus Instance no/DeviceNet no:	43207
Profibus slot/index	169/111
EtherCAT index (hex)	4c87
Profinet IO index	19591
Fieldbus format	UInt
Modbus format	UInt

## AnIn1 Function Value Max [5137]

With AnIn1 Function VaMax you define a user-defined value for the signal. Only visible when user-defined is selected in menu [5136].

<b>5137 AnIn1 VaMax</b> Stp <b>A</b> <b>0.000</b>	
Default:	0.000
Range:	-10000.000 - 10000.000

### Communication information

Modbus Instance no/DeviceNet no:	43551
Profibus slot/index	170/200
EtherCAT index (hex)	4ddf
Profinet IO index	19935
Fieldbus format	Long, 1=1 rpm, 1 %, 1 ° or 0.001 if Process Value/ Process Ref using a [322] unit
Modbus format	Elnt

**NOTE: With AnIn Min, AnIn Max, AnIn Function Min and AnIn Function Max settings, loss of feedback signals (e.g. voltage drop due to long sensor wiring) can be compensated to ensure an accurate process control.**

Example:

Process sensor is a sensor with the following specification:

Range: 0–3 bar

Output: 2–10 mA

Analogue input should be set up according to:

[512] AnIn1 Setup = User mA

[5131] AnIn1 Min = 2 mA

[5132] AnIn1 Max = 10 mA

[5134] AnIn1 Function Min = User-defined

[5135] AnIn1 VaMin = 0.000 bar

[5136] AnIn 1 Function Max = User-defined

[5137] AnIn1 VaMax = 3.000 bar

## AnIn1 Operation [5138]

<b>5138 AnIn1 Oper</b> Stp <b>A</b> <b>Add+</b>		
Default:	Add+	
Add+	0	Analogue signal is added to selected function in menu [511].
Sub-	1	Analogue signal is subtracted from selected function in menu [511].

### Communication information

Modbus Instance no/DeviceNet no:	43208
Profibus slot/index	169/112
EtherCAT index (hex)	4c88
Profinet IO index	19592
Fieldbus format	UInt
Modbus format	UInt

## AnIn1 Filter [5139]

If the input signal is unstable (e.g. fluctuation reference value), the filter can be used to stabilize the signal. A change of the input signal will reach 63% on AnIn1 within the set AnIn1 Filter time. After 5 times the set time, AnIn1 will have reached 100% of the input change. See Fig. 122.

<b>5139 AnIn1 Filt</b> Stp <b>A</b> <b>0.1s</b>	
Default:	0.1 s
Range:	0.001 - 10.0 s

### Communication information

Modbus Instance no/DeviceNet no:	43209
Profibus slot/index	169/113
EtherCAT index (hex)	4c89
Profinet IO index	19593
Fieldbus format	Long, 1=0.001 s
Modbus format	Elnt

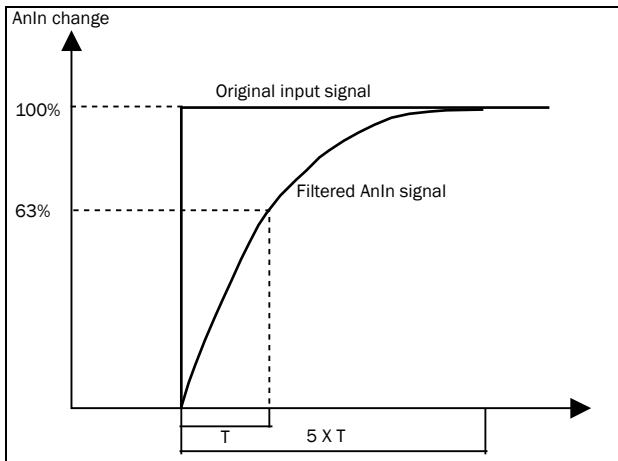


Fig. 122

### AnIn1 Enable [513A]

Parameter for enable/disable analogue input selection via digital inputs (DigIn set to function AnIn Select).

<b>513A AnIn1 Enabl</b>	
Stp <b>A</b> <b>On</b>	
Default:	On
On	0 AnIn1 is always active
!DigIn	1 AnIn1 is only active if the digital input is low.
DigIn	2 AnIn1 is only active if the digital input is high.

#### Communication information

Modbus Instance no/DeviceNet no:	43210
Profibus slot/index	169/114
EtherCAT index (hex)	4c8a
Profinet IO index	19594
Fieldbus format	UInt
Modbus format	UInt

### AnIn2 Function [514]

Parameter for setting the function of Analogue Input 2.

Same function as “AnIn1 Fc [511]”.

<b>514 AnIn2 Fc</b>	
Stp <b>A</b> <b>Off</b>	
Default:	Off
Selection:	Same as in menu [511]

#### Communication information

Modbus Instance no/DeviceNet no:	43211
Profibus slot/index	169/115
EtherCAT index (hex)	4c8b
Profinet IO index	19595
Fieldbus format	UInt
Modbus format	UInt

### AnIn2 Setup [515]

Parameter for setting the function of Analogue Input 2.

Same functions as “AnIn1 Setup [512]”.

<b>515 AnIn2 Setup</b>	
Stp <b>A</b> <b>4-20mA</b>	
Default:	4 – 20 mA
Dependent on	Setting of switch S2
Selection:	Same as in menu [512].

#### Communication information

Modbus Instance no/DeviceNet no:	43212
Profibus slot/index	169/116
EtherCAT index (hex)	4c8c
Profinet IO index	19596
Fieldbus format	UInt
Modbus format	UInt

### AnIn2 Advanced [516]

Same functions and submenus as under “AnIn1 Advan [513]”.

<b>516 AnIn2 Advan</b>	
Stp <b>A</b>	

#### Communication information

Modbus Instance no/DeviceNet no:	43213-43220, 43542, 43552
Profibus slot/index	169/117-124, 170/191, 170/201
EtherCAT index (hex)	4c8d - 4c94, 4dd6, 4de0
Profinet IO index	19597-19604, 19926, 19936
Fieldbus format	See [5131] - [5137].
Modbus format	

## AnIn3 Function [517]

Parameter for setting the function of Analogue Input 3.

Same function as “AnIn1 Fc [511]”.

<b>517 AnIn3 Fc</b> Stp <b>A</b> <span style="float: right;">Off</span>	
Default:	Off
Selection:	Same as in menu [511]

### Communication information

Modbus Instance no/DeviceNet no:	43221
Profibus slot/index	169/125
EtherCAT index (hex)	4c95
Profinet IO index	19605
Fieldbus format	UInt
Modbus format	UInt

## AnIn3 Setup [518]

Same functions as “AnIn1 Setup [512]”.

<b>518 AnIn3 Setup</b> Stp <b>A</b> <span style="float: right;">4-20mA</span>	
Default:	4-20 mA
Dependent on	Setting of switch S3
Selection:	Same as in menu [512].

### Communication information

Modbus Instance no/DeviceNet no:	43222
Profibus slot/index	169/126
EtherCAT index (hex)	4c96
Profinet IO index	19606
Fieldbus format	UInt
Modbus format	UInt

## AnIn3 Advanced [519]

Same functions and submenus as under “AnIn1 Advan [513]”.

<b>519 AnIn3 Advan</b> Stp <b>A</b>	
--	--

### Communication information

Modbus Instance no/DeviceNet no:	43223-43230, 43543, 43553
Profibus slot/index	169/127-169/134, 170/192, 170/202
EtherCAT index (hex)	4c97 - 4c9e, 4dd7, 4de1
Profinet IO index	19607-19614, 19927, 19937
Fieldbus format	See [5131] - [5137].
Modbus format	

## AnIn4 Function [51A]

Parameter for setting the function of Analogue Input 4.

Same function as “AnIn1 Fc [511].”

<b>51A AnIn4 Fc</b> Stp <b>A</b> <span style="float: right;">Off</span>	
Default:	Off
Selection:	Same as in menu [511]

### Communication information

Modbus Instance no/DeviceNet no:	43231
Profibus slot/index	169/135
EtherCAT index (hex)	4c9f
Profinet IO index	19615
Fieldbus format	UInt
Modbus format	UInt

## AnIn4 Set-up [51B]

Same functions as “AnIn1 Setup [512]”.

<div style="border: 2px solid black; padding: 5px; display: inline-block;"> <b>51B AnIn4 Setup</b>                      Stp <b>A</b>                      4-20mA                 </div>	
Default:	4-20 mA
Dependent on	Setting of switch S4
Selection:	Same as in menu [512].

### Communication information

Modbus Instance no/DeviceNet no:	43232
Profibus slot/index	169/136
EtherCAT index (hex)	4ca0
Profinet IO index	19616
Fieldbus format	Ulnt
Modbus format	Ulnt

## AnIn4 Advanced [51C]

Same functions and submenus as under “AnIn1 Advan[513]”.

<div style="border: 2px solid black; padding: 5px; display: inline-block;"> <b>51C AnIn4 Advan</b>                      Stp <b>A</b> </div>	
---	--

### Communication information

Modbus Instance no/DeviceNet no:	43233-43240, 43544, 43554
Profibus slot/index	169/137-144, 170/193, 170/203
EtherCAT index (hex)	4ca1 - 4ca8, 4dd8, 4de2
Profinet IO index	19617-19624, 19928, 19938
Fieldbus format	See [5131] - [5137].
Modbus format	

## 11.5.2 Digital Inputs [520]

Submenu with all the settings for the digital inputs.

**NOTE: Additional inputs will become available when the I/O option boards are connected.**

### Digital Input 1 [521]

To select the function of the digital input.

On the standard control board there are eight digital inputs.

If the same function is programmed for more than one input that function will be activated according to “OR” logic if nothing else is stated.

<div style="border: 2px solid black; padding: 5px; display: inline-block;"> <b>521 DigIn 1</b>                      Stp <b>A</b>                      RunL                 </div>	
Default:	RunL
Off	0 The input is not active.
Ext. Trip	3 Be aware that if there is nothing connected to the input, the AC drive will trip at “External trip” immediately. NOTE: The External Trip is active low. NOTE: Activated according to “AND” logic.
Stop	4 Stop command according to the selected Stop mode in menu [33B]. <b>NOTE: The Stop command is active low.</b> NOTE: Activated according to “AND” logic.
Enable	5 Enable command. General start condition to run the AC drive. If made low during running the output of the AC drive is cut off immediately, causing the motor to coast to zero speed. <b>NOTE: If none of the digital inputs are programmed to “Enable”, the internal enable signal is active.</b> NOTE: Activated according to “AND” logic.
RunR	6 Run Right command (positive speed). The output of the AC drive will be a clockwise rotary field.
RunL	7 Run Left command (negative speed). The output of the AC drive will be a counter-clockwise rotary field.
Reset	9 Reset command. To reset a Trip condition and to enable the Autoreset function.
Preset Ctrl1	10 To select the Preset Reference.
Preset Ctrl2	11 To select the Preset Reference.
Preset Ctrl3	12 To select the Preset Reference.
MotPot Up	13 Increases the internal reference value according to the set AccMotPot time [333]. Has the same function as a “real” motor potentiometer, see Fig. 103.
MotPot Down	14 Decreases the internal reference value according to the set DecMotPot time [334]. See MotPot Up.

Pump1 Feedb	15	Feedback input pump1 for Pump/Fan control and informs about the status of the auxiliary connected pump/fan.
Pump2 Feedb	16	Feedback input pump 2 for Pump/Fan control and informs about the status of the auxiliary connected pump/fan.
Pump3 Feedb	17	Feedback input pump3 for Pump/Fan control and informs about the status of the auxiliary connected pump/fan.
Pump4 Feedb	18	Feedback input pump 4 for Pump/Fan control and informs about the status of the auxiliary connected pump/fan.
Pump5 Feedb	19	Feedback input pump5 for Pump/Fan control and informs about the status of the auxiliary connected pump/fan.
Pump6 Feedb	20	Feedback input pump 6 for Pump/Fan control and informs about the status of the auxiliary connected pump/fan.
Timer 1	21	Timer 1 Delay [643] will be activated on the rising edge of this signal.
Timer 2	22	Timer 2 Delay [653] will be activated on the rising edge of this signal.
Set Ctrl 1	23	Activates other parameter set. See Table 25 for selection possibilities.
Set Ctrl 2	24	Activates other parameter set. See Table 25 for selection possibilities.
Mot PreMag	25	Pre-magnetises the motor. Used for faster motor start.
Jog	26	To activate the Jog function. Gives a Run command with the set Jog speed and Direction, page 127.
Ext Mot Temp	27	Be aware that if there is nothing connected to the input, the AC drive will trip at "External Motor Temp" immediately. NOTE: The External Motor Temp is active low.
Loc/Rem	28	Activate local mode defined in [2171] and [2172].
AnIn select	29	Activate/deactivate analogue inputs defined in [513A], [516A], [519A] and [51CA]
LC Level	30	Liquid cooling low level signal. NOTE: The Liquid Cooling Level is active low.
Brk Ackn	31	Brake acknowledge input for Brake Fault control. Function is activated via this selection see menu [33H] page 123

**NOTE: For bipolar function, input RunR and RunL needs to be active and "Rotation [219]" must be set to "R+L".**

#### Communication information

Modbus Instance no/DeviceNet no:	43241
Profibus slot/index	169/145
EtherCAT index (hex)	4ca9
Profinet IO index	19625
Fieldbus format	UInt
Modbus format	UInt

Table 25

Parameter Set	Set Ctrl 1	Set Ctrl 2
A	0	0
B	1	0
C	0	1
D	1	1

**NOTE: To activate the parameter set selection, menu 241 must be set to Dign.**

#### Digital Input 2 [522] to Digital Input 8 [528]

Same function as "DigIn 1[521]". Default function for DigIn 8 is Reset. For DigIn 3 to 7 the default function is Off.

<div style="border: 2px solid black; padding: 5px; display: inline-block;"> <b>522 DigIn 2</b>            Stp <b>A</b>                      Run<b>R</b> </div>	
Default:	RunR
Selection:	Same as in menu [521]

#### Communication information

Modbus Instance no/DeviceNet no:	43242 - 43248
Profibus slot/index	169/146 - 169/152
EtherCAT index (hex)	4caa - 4cb0
Profinet IO index	19626 - 19632
Fieldbus format	UInt
Modbus format	UInt



## Additional digital inputs [529] to [52H]

Additional digital inputs with I/O option board installed, “B1 DigIn 1 [529]” - “B3 DigIn 3 [52H]”. B stands for board and 1 to 3 is the number of the board which is related to the position of the I/O option board on the option mounting plate. The functions and selections are the same as “DigIn 1 [521]”.

### Communication information

Modbus Instance no/DeviceNet no:	43501-43509
Profibus slot/index	170/150-170/158
EtherCAT index (hex)	4dad - 4db5
Profinet IO index	19885 - 19893
Fieldbus format	UInt
Modbus format	UInt

## 11.5.3 Analogue Outputs [530]

Submenu with all settings for the analogue outputs. Selections can be made from application and AC drive values, in order to visualize actual status. Analogue outputs can also be used as a mirror of the analogue input. Such a signal can be used as:

- a reference signal for the next AC drive in a Master/Slave configuration (see Fig. 123).
- a feedback acknowledgement of the received analogue reference value.

### AnOut1 Function [531]

Sets the function for the Analogue Output 1. Scale and range are defined by AnOut1 Advanced settings [533].

531 AnOut1 Fc		
Stp <b>A</b>		Speed
Default:		Speed
Process Val	0	Actual process value according to Process feedback signal.
Speed	1	Actual speed.
Torque	2	Actual torque.
Process Ref	3	Actual process reference value.
Shaft Power	4	Actual shaft power.
Frequency	5	Actual frequency.
Current	6	Actual current.
El power	7	Actual electrical power.
Output volt	8	Actual output voltage.
DC-voltage	9	Actual DC link voltage.
AnIn1	10	Mirror of received signal value on AnIn1.
AnIn2	11	Mirror of received signal value on AnIn2.
AnIn3	12	Mirror of received signal value on AnIn3.
AnIn4	13	Mirror of received signal value on AnIn4.
Speed Ref	14	Actual internal speed reference Value after ramp and V/Hz.
Torque Ref	15	Actual torque reference value (=0 in V/Hz mode)

**NOTE: When selections AnIn1, AnIn2 .... AnIn4 is selected, the setup of the AnOut (menu [532] or [535]) has to be set to 0-10V or 0-20mA. When the AnOut Setup is set to e.g. 4-20mA, the mirroring is not working correct.**

## Communication information

Modbus Instance no/DeviceNet no:	43251
Profibus slot/index	169/155
EtherCAT index (hex)	4cb3
Profinet IO index	19635
Fieldbus format	UInt
Modbus format	UInt

## AnOut 1 Setup [532]

Preset scaling and offset of the output configuration.

532 AnOut1 Setup Stp <b>A</b> 4-20mA		
Default:		4-20mA
4-20mA	0	The current output has a fixed threshold (Live Zero) of 4 mA and controls the full range for the output signal. See Fig. 120.
0-20mA	1	Normal full current scale configuration of the output that controls the full range for the output signal. See Fig. 119.
User mA	2	The scale of the current controlled output that controls the full range for the output signal. Can be defined by the advanced AnOut Min and AnOut Max menus.
User Bipol mA	3	Sets the output for a bipolar current output, where the scale controls the range for the output signal. Scale can be defined in advanced menu AnOut Bipol.
0-10V	4	Normal full voltage scale configuration of the output that controls the full range for the output signal. See Fig. 119.
2-10V	5	The voltage output has a fixed threshold (Live Zero) of 2 V and controls the full range for the output signal. See Fig. 120.
User V	6	The scale of the voltage controlled output that controls the full range for the output signal. Can be defined by the advanced AnOut Min and AnOut Max menus.
User Bipol V	7	Sets the output for a bipolar voltage output, where the scale controls the range for the output signal. Scale can be defined in advanced menu AnOut Bipol.

## Communication information

Modbus Instance no/DeviceNet no:	43252
Profibus slot/index	169/156
EtherCAT index (hex)	4cb4
Profinet IO index	19636
Fieldbus format	UInt
Modbus format	UInt

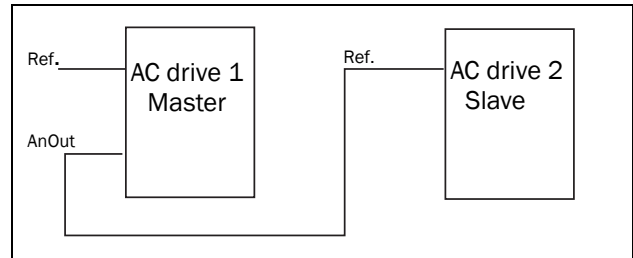


Fig. 123

## AnOut1 Advanced [533]

With the functions in the AnOut1 Advanced menu, the output can be completely defined according to the application needs. The menu will automatically be adapted to “mA” or “V”, according to the selection in “AnOut1 Setup [532]”.

533 AnOut 1 Adv Stp <b>A</b>	
---------------------------------	--

### AnOut1 Min [5331]

This parameter is automatically displayed if User mA or User V is selected in menu “AnOut 1 Setup [532]”. The menu will automatically adapt to current or voltage setting according to the selected setup. Only visible if [532] = User mA/V.

5331 AnOut 1 Min Stp <b>A</b> 4mA	
Default:	4 mA
Range:	0.00 - 20.00 mA, 0 - 10.00 V

## Communication information

Modbus Instance no/DeviceNet no:	43253
Profibus slot/index	169/157
EtherCAT index (hex)	4cb5
Profinet IO index	19637
Fieldbus format	Long, 1=0.01 V, 0.01 mA
Modbus format	Elnt

### AnOut1 Max [5332]

This parameter is automatically displayed if User mA or User V is selected in menu “AnOut1 Setup [532]”. The menu will automatically adapt to current or voltage setting according to the selected setup. Only visible if [532] = User mA/V.

<b>5332 AnOut 1 Max</b> Stp <b>A</b> 20.0mA	
Default:	20.00 mA
Range:	0.00–20.00 mA, 0–10.00 V

#### Communication information

Modbus Instance no/DeviceNet no:	43254
Profibus slot/index	169/158
EtherCAT index (hex)	4cb6
Profinet IO index	19638
Fieldbus format	Long, 1=0.01 V, 0.01 mA
Modbus format	Elnt

### AnOut1 Bipol [5333]

Automatically displayed if User Bipol mA or User Bipol V is selected in menu AnOut1 Setup. The menu will automatically show mA or V range according to the selected function. The range is set by changing the positive maximum value; the negative value is automatically adapted accordingly. Only visible if [512] = User Bipol mA/V.

<b>5333 AnOut1Bipol</b> Stp <b>A</b> -10.00–10.00V	
Default:	-10.00–10.00 V
Range:	-10.00–10.00 V, -20.0–20.0 mA

#### Communication information

Modbus Instance no/DeviceNet no:	43255
Profibus slot/index	169/159
EtherCAT index (hex)	4cb7
Profinet IO index	19639
Fieldbus format	Long, 1=0.01 V, 0.01 mA
Modbus format	Elnt

### AnOut1 Function Min [5334]

With AnOut1 Function Min the physical minimum value is scaled to selected presentation. The default scaling is dependent of the selected function of “AnOut1 [531]”.

<b>5334 AnOut1FCMin</b> Stp <b>A</b> Min		
Default:	Min	
Min	0	Min value
Max	1	Max value
User-defined	2	Define user value in menu [5335]

Table 26 shows corresponding values for the min and max selections depending on the function of the analogue output [531].

Table 26

AnOut Function	Min Value	Max Value
Process Value	Process Min [324]	Process Max [325]
Speed	Min Speed [341]	Max Speed [343]
Torque	0%	Max Torque [351]
Process Ref	Process Min [324]	Process Max [325]
Shaft Power	0%	Motor Power [223]
Frequency	Fmin *	Motor Frequency [222]
Current	0 A	Motor Current [224]
El Power	0 W	Motor Power [223]
Output Voltage	0 V	Motor Voltage [221]
DC voltage	0 V	1000 V
AnIn1	AnIn1 Function Min	AnIn1 Function Max
AnIn2	AnIn2 Function Min	AnIn2 Function Max
AnIn3	AnIn3 Function Min	AnIn3 Function Max
AnIn4	AnIn4 Function Min	AnIn4 Function Max

\*) Fmin is dependent on the set value in menu “Minimum Speed [341]”.

#### Communication information

Modbus Instance no/DeviceNet no:	43256
Profibus slot/index	169/160
EtherCAT index (hex)	4cb8
Profinet IO index	19640
Fieldbus format	UInt
Modbus format	UInt

## Example

Set the AnOut function for Motorfrequency to 0Hz, set AnOut functionMin [5334] to “User-defined” and AnOut1 VaMin[5335] = 0.0. This results in an analogue output signal from 0/4 mA to 20mA: 0Hz to Fmot.

This principle is valid for all Min to Max settings.

## AnOut1 Function Value Min [5335]

With AnOut1 Function VaMin you define a user-defined value for the signal. Only visible when user-defined is selected in menu [5334].

<b>5335 AnOut1VaMin</b> Stp <b>A</b> 0.000	
Default:	0.000
Range:	-10000.000-10000.000

### Communication information

Modbus Instance no/DeviceNet no:	43545
Profibus slot/index	170/194
EtherCAT index (hex)	4dd9
Profinet IO index	19929
Fieldbus format	Long, 1=1 rpm, 1 %, 1W, 0.1 Hz, 0.1 V, 0.1 A or 0.001 via process value [322]
Modbus format	Elnt

## AnOut1 Function Max [5336]

With AnOut1 Function Min the physical minimum value is scaled to selected presentation. The default scaling is dependent on the selected function of AnOut1 [531]. See Table 26.

<b>5336 AnOut1FCMax</b> Stp <b>A</b> Max	
Default:	Max
Min	0 Min value
Max	1 Max value
User defined	2 Define user value in menu [5337]

### Communication information

Modbus Instance no/DeviceNet no:	43257
Profibus slot/index	169/161
EtherCAT index (hex)	4cb9
Profinet IO index	19641
Fieldbus format	UInt
Modbus format	UInt

**NOTE: It is possible to set AnOut1 up as an inverted output signal by setting AnOut1 Min > AnOut1 Max. See Fig. 121.**

## AnOut1 Function Value Max [5337]

With AnOut1 Function VaMax you define a user-defined value for the signal. Only visible when user-defined is selected in menu [5334].

<b>5337 AnOut1VaMax</b> Stp <b>A</b> 0.000	
Default:	0.000
Range:	-10000.000-10000.000

### Communication information

Modbus Instance no/DeviceNet no:	43555
Profibus slot/index	170/204
EtherCAT index (hex)	4de3
Profinet IO index	19939
Fieldbus format	Long, 1=1 rpm, 1 %, 1W, 0.1 Hz, 0.1 V, 0.1 A or 0.001 via process value [322]
Modbus format	Elnt

## AnOut2 Function [534]

Sets the function for the Analogue Output 2.

<b>534 AnOut2 Fc</b> Stp <b>A</b> Torque	
Default:	Torque
Selection:	Same as in menu [531]

### Communication information

Modbus Instance no/DeviceNet no:	43261
Profibus slot/index	169/165
EtherCAT index (hex)	4cbd
Profinet IO index	19645
Fieldbus format	UInt
Modbus format	UInt

## AnOut2 Setup [535]

Preset scaling and offset of the output configuration for analogue output 2.

<b>535 AnOut2 Setup</b> Stp <b>A</b> 4-20mA	
Default:	4-20mA
Selection:	Same as in menu [532]

### Communication information

Modbus Instance no/DeviceNet no:	43262
Profibus slot/index	169/166
EtherCAT index (hex)	4cbe
Profinet IO index	19646
Fieldbus format	UInt
Modbus format	UInt

## AnOut2 Advanced [536]

Same functions and submenus as under AnOut1 Advanced [533].

<b>536 AnOut2 Advan</b> Stp <b>A</b>	
---	--

### Communication information

Modbus Instance no/DeviceNet no:	43263-43267, 43546, 43556
Profibus slot/index	169/167 - 169/171, 170/195, 170/205
EtherCAT index (hex)	4cbf - 4cc3, 4dda, 4de4
Profinet IO index	19647 - 19651, 19930, 19940
Fieldbus format	See [533]- [5367].
Modbus format	

## 11.5.4 Digital Outputs [540]

Submenu with all the settings for the digital outputs.

### Digital Out 1 [541]

Sets the function for the digital output 1.

**NOTE: The definitions described here are valid for the active output condition.**

<b>541 DigOut 1</b> Stp <b>A</b> Ready		
Default:	Ready	
Off	0	Output is not active and constantly low.
On	1	Output is made constantly high, i.e. for checking circuits and trouble shooting.
Run	2	Running. The AC drive output is active = produces current for the motor.
Stop	3	The AC drive output is not active.
0Hz	4	The output frequency=0±0.1Hz when in Run condition.
Acc/Dec	5	The speed is increasing or decreasing along the acc. ramp dec. ramp.
At Process	6	The output = Reference.
At Max spd	7	The frequency is limited by the Maximum Speed.
No Trip	8	No Trip condition active.
Trip	9	A Trip condition is active.
AutoRst Trip	10	Autoreset trip condition active.
Limit	11	A Limit condition is active.
Warning	12	A Warning condition is active.
Ready	13	The AC drive is ready for operation and to accept a start command. This means that the AC drive is powered up and healthy.
T= T <sub>lim</sub>	14	The torque is limited by the torque limit function.
I>I <sub>nom</sub>	15	The output current is higher than the motor nominal current [224], reduced according to Motor ventilation [228], see Fig. 87.
Brake	16	The output is used to control a mechanical brake.
Sgnl<Offset	17	One of the AnIn input signals is lower than 75% of the threshold level.
Alarm	18	The max or min alarm level has been reached.
Pre-Alarm	19	The max or min pre alarm level has been reached.

Max Alarm	20	The max alarm level has been reached.
Max PreAlarm	21	The max pre alarm level has been reached.
Min Alarm	22	The min alarm level has been reached.
Min PreAlarm	23	The min pre alarm Level has been reached.
LY	24	Logic output Y.
!LY	25	Logic output Y inverted.
LZ	26	Logic output Z.
!LZ	27	Logic output Z inverted.
CA 1	28	Analogue comparator 1 output.
!A1	29	Analogue comp 1 inverted output.
CA 2	30	Analogue comparator 2 output.
!A2	31	Analogue comp 2 inverted output.
CD 1	32	Digital comparator 1 output.
!D1	33	Digital comp 1 inverted output.
CD 2	34	Digital comparator 2 output.
!D2	35	Digital comp 2 inverted output.
Operation	36	Run command is active or AC drive running. The signal can be used to control the mains contactor if the AC drive is equipped with Standby supply option.
T1Q	37	Timer1 output
!T1Q	38	Timer1 inverted output
T2Q	39	Timer2 output
!T2Q	40	Timer2 inverted output
Sleeping	41	Sleeping function activated
PumpSlave1	43	Activate pump slave 1
PumpSlave2	44	Activate pump slave 2
PumpSlave3	45	Activate pump slave 3
PumpSlave4	46	Activate pump slave 4
PumpSlave5	47	Activate pump slave 5
PumpSlave6	48	Activate pump slave 6
PumpMaster1	49	Activate pump master 1
PumpMaster2	50	Activate pump master 2
PumpMaster3	51	Activate pump master 3
PumpMaster4	52	Activate pump master 4
PumpMaster5	53	Activate pump master 5
PumpMaster6	54	Activate pump master 6
All Pumps	55	All pumps are running
Only Master	56	Only the master is running
Loc/Rem	57	Local/Rem function is active
Standby	58	Standby supply option is active

PTC Trip	59	Trip when function is active
PT100 Trip	60	Trip when function is active
Overvolt	61	Overvoltage due to high main voltage
Overvolt G	62	Overvoltage due to generation mode
Overvolt D	63	Overvoltage due to deceleration
Acc	64	Acceleration along the acc. ramp
Dec	65	Deceleration along the dec. ramp
$I^2t$	66	$I^2t$ limit protection active
V-Limit	67	Overvoltage limit function active
C-Limit	68	Overcurrent limit function active
Overtemp	69	Over temperature warning
Low voltage	70	Low voltage warning
DigIn 1	71	Digital input 1
DigIn 2	72	Digital input 2
DigIn 3	73	Digital input 3
DigIn 4	74	Digital input 4
DigIn 5	75	Digital input 5
DigIn 6	76	Digital input 6
DigIn 7	77	Digital input 7
DigIn 8	78	Digital input 8
ManRst Trip	79	Active trip that needs to be manually reset
Com Error	80	Serial communication lost
External Fan	81	The AC drive requires external cooling. Internal fans are active.
LC Pump	82	Activate liquid cooling pump
LC HE Fan	83	Activate liquid cooling heat exchanger fan
LC Level	84	Liquid cooling low level signal active
Run Right	85	Positive speed (>0.5%), i.e. forward/clockwise direction.
Run Left	86	Negative speed (<0.5%), i.e. reverse counter clockwise direction.
Com Active	87	Fieldbus communication active.
Brk Fault	88	Tripped on brake fault (not released)
BrkNotEngage	89	Warning and continued operation (keep torque) due to Brake not engaged during stop.
Option	90	Failure occurred in built-in option board.
CA3	91	Analogue comparator 3 output
!A3	92	Analogue comparator 3 inverted output
CA4	93	Analogue comparator 4 output
!A4	94	Analogue comparator 4 inverted output
CD3	95	Digital comparator 3 output

!D3	96	Digital comparator 3 inverted output
CD4	97	Digital comparator 4 output
ID4	98	Digital comparator 4 inverted output
C1Q	99	Counter 1 output
!C1Q	100	Counter 1 inverted output
C2Q	101	Counter 2 output
!C2Q	102	Counter 2 Inverted output
Enc Error	103	Tripped on Encoder error

#### Communication information

Modbus Instance no/DeviceNet no:	43271
Profibus slot/index	169/175
EtherCAT index (hex)	4cc7
Profinet IO index	19655
Fieldbus format	UInt
Modbus format	UInt

### Digital Out 2 [542]

**NOTE: The definitions described here are valid for the active output condition.**

Sets the function for the digital output 2.

<b>542 DigOut2</b> Stp <b>A</b> <b>Brake</b>	
Default:	Brake
Selection:	Same as in menu [541]

#### Communication information

Modbus Instance no/DeviceNet no:	43272
Profibus slot/index	169/176
EtherCAT index (hex)	4cc8
Profinet IO index	19656
Fieldbus format	UInt
Modbus format	UInt

### 11.5.5 Relays [550]

Submenu with all the settings for the relay outputs. The relay mode selection makes it possible to establish a “fail safe” relay operation by using the normal closed contact to function as the normal open contact.

**NOTE: Additional relays will become available when I/O option boards are connected. Maximum 3 boards with 3 relays each.**

#### Relay 1 [551]

Sets the function for the relay output 1. Same function as digital output 1 [541] can be selected.

<b>551 Relay 1</b> Stp <b>A</b> <b>Trip</b>	
Default:	Trip
Selection:	Same as in menu [541]

#### Communication information

Modbus Instance no/DeviceNet no:	43273
Profibus slot/index	169/177
EtherCAT index (hex)	4cc9
Profinet IO index	19657
Fieldbus format	UInt
Modbus format	UInt

#### Relay 2 [552]

**NOTE: The definitions described here are valid for the active output condition.**

Sets the function for the relay output 2.

<b>552 Relay 2</b> Stp <b>A</b> <b>Run</b>	
Default:	Run
Selection:	Same as in menu [541]

#### Communication information

Modbus Instance no/DeviceNet no:	43274
Profibus slot/index	169/178
EtherCAT index (hex)	4cca
Profinet IO index	19658
Fieldbus format	UInt
Modbus format	UInt

## Relay 3 [553]

Sets the function for the relay output 3.

<b>553 Relay 3</b> Stp <b>A</b> <b>Off</b>	
Default:	Off
Selection:	Same as in menu [541]

### Communication information

Modbus Instance no/DeviceNet no:	43275
Profibus slot/index	169/179
EtherCAT index (hex)	4ccb
Profinet IO index	19659
Fieldbus format	UInt
Modbus format	UInt

## Board Relay [554] to [55C]

These additional relays are only visible if an I/O option board is fitted in slot 1, 2, or 3. The outputs are named B1 Relay 1–3, B2 Relay 1–3 and B3 Relay 1–3. B stands for board and 1–3 is the number of the board which is related to the position of the I/O option board on the option mounting plate.

**NOTE: Visible only if optional board is detected or if any input/output is activated.**

### Communication information

Modbus Instance no/DeviceNet no:	43511–43519
Profibus slot/index	170/160–170/168
EtherCAT index (hex)	4db7 - 4dbf
Profinet IO index	19895 - 19903
Fieldbus format	UInt
Modbus format	UInt

## Relay Advanced [55D]

This function makes it possible to ensure that the relay will also be closed when the AC drive is malfunctioning or powered down.

### Example

A process always requires a certain minimum flow. To control the required number of pumps by the relay mode NC, the e.g. the pumps can be controlled normally by the pump control, but are also activated when the AC drive is tripped or powered down.

<b>55D Relay Adv</b> Stp <b>A</b>
--------------------------------------

## Relay 1 Mode [55D1]

<b>55D1 Relay1 Mode</b> Stp <b>A</b> <b>N.O</b>		
Default:	N.O	
N.O	0	The normal open contact of the relay will be activated when the function is active.
N.C	1	The normally closed contact of the relay will act as a normal open contact. The contact will be opened when function is not active and closed when function is active.

### Communication information

Modbus Instance no/DeviceNet no:	43276
Profibus slot/index	169/180
EtherCAT index (hex)	4ccc
Profinet IO index	19660
Fieldbus format	UInt
Modbus format	UInt

## Relay Modes [55D2] to [55DC]

Same function as for “Relay 1 Mode [55D1]”.

### Communication information

Modbus Instance no/DeviceNet no:	43277, 43278, 43521–43529
Profibus slot/index	169/181, 169/182, 170/170–170/178
EtherCAT index (hex)	4ccd, 4cce, 4dc1 - 4dc9
Profinet IO index	19661, 19662, 19905 - 19913
Fieldbus format	UInt
Modbus format	UInt



## 11.5.6 Virtual Connections [560]

Functions to enable eight internal connections of comparator, timer and digital signals, without occupying physical digital in/outputs. Virtual connections are used to wireless connection of a digital output function to a digital input function. Available signals and control functions can be used to create your own specific functions.

### Example of start delay

The motor will start in RunR 10 seconds after DigIn1 gets high. DigIn1 has a time delay of 10 s.

Menu	Parameter	Setting
[521]	DigIn1	Timer 1
[561]	VIO 1 Dest	RunR
[562]	VIO 1 Source	T1Q
[641]	Timer1 Trig	DigIn 1
[642]	Timer1 Mode	Delay
[643]	Timer1 Delay	0:00:10

**NOTE: When a digital input and a virtual destination are set to the same function, this function will act as an OR logic function.**

### Virtual Connection 1 Destination [561]

With this function the destination of the virtual connection is established. When a function can be controlled by several sources, e.g. VC destination or Digital Input, the function will be controlled in conformity with "OR logic". See DigIn for descriptions of the different selections.

<b>561 VIO 1 Dest</b> Stp <b>A</b> <span style="float: right;"><b>Off</b></span>	
Default:	Off
Selection:	Same selections as for Digital Input 1, menu [521].

#### Communication information

Modbus Instance no/DeviceNet no:	43281
Profibus slot/index	169/185
EtherCAT index (hex)	4cd1
Profinet IO index	19665
Fieldbus format	UInt
Modbus format	UInt

### Virtual Connection 1 Source [562]

With this function the source of the virtual connection is defined. See DigOut 1 for description of the different selections.

<b>562 VIO 1 Source</b> Stp <b>A</b> <span style="float: right;"><b>Off</b></span>	
Default:	Off
Selection:	Same as for menu [541].

#### Communication information

Modbus Instance no/DeviceNet no:	43282
Profibus slot/index	169/186
EtherCAT index (hex)	4cd2
Profinet IO index	19666
Fieldbus format	UInt
Modbus format	UInt

### Virtual Connections 2-8 [563] to [56G]

Same function as virtual connection 1 [561] and [562].

Communication information for virtual connections 2-8 Destination.

Modbus Instance no/DeviceNet no:	43283, 43285, 43287, 43289, 43291, 43293, 43295
Profibus slot/index	169/ 187, 189, 191, 193, 195, 197, 199
EtherCAT index (hex)	4cd3, 4cd5, 4cd17, 4cd9, 4cdb, 4cdd, 4cdf
Profinet IO index	19667, 19669, 19671, 19673, 19675, 19677, 19679
Fieldbus format	UInt
Modbus format	UInt

Communication information for virtual connections 2-8 Source.

Modbus Instance no/DeviceNet no:	43284, 43286, 43288, 43290, 43292, 43294, 43296
Profibus slot/index	169/ 188, 190, 192, 194, 196, 198, 200
EtherCAT index (hex)	4cd4, 4cd6, 4cd8, 4cda, 4cdc, 4cde, 4ce0
Profinet IO index	19668, 19670, 19672, 19674, 19676, 19678, 19680
Fieldbus format	UInt
Modbus format	UInt

## 11.6 Logical Functions and Timers [600]

With the Comparators, Logic Functions and Timers, conditional signals can be programmed for control or signalling features. This gives you the ability to compare different signals and values in order to generate monitoring/controlling features.

### 11.6.1 Comparators [610]

The comparators available make it possible to monitor different internal signals and values, and visualize via digital relay outputs, when a specific value or status is reached or established.

#### Analogue comparators [611] - [614]

There are 4 analogue comparators that compare any available analogue value (including the analogue reference inputs) with two adjustable levels. The two levels available are Level HI and Level LO. There are two analogue comparator types selectable, an analogue comparator with hysteresis and an analogue window comparator. The analogue hysteresis type comparator uses the two available levels to create a hysteresis for the comparator between setting and resetting the output. This function gives a clear difference in switching levels, which lets the process adapt until a certain action is started. With such a hysteresis, even an unstable analogue signal can be monitored without getting a nervous comparator output signal. Another feature is the possibility to get a fixed indication that a certain level has been passed. The comparator can latch by setting Level LO to a higher value than Level HI.

The analogue window comparator uses the two available levels to define the window in which the analogue value should be within for setting the comparator output. The input analogue value of the comparator can also be selected as bipolar, i.e. treated as signed value or unipolar, i.e. treated as absolute value.

Refer to Fig. 128, page 171 where these functions are illustrated.

#### Digital comparators [615]

There are 4 digital comparators that compare any available digital signal.

The output signals of these comparators can be logically tied together to yield a logical output signal.

All the output signals can be programmed to the digital or relay outputs or used as a source for the virtual connections [560].

## CA1 Setup [611]

Analogue comparator 1, parameter group.

### Analogue Comparator 1, Value [6111]

Selection of the analogue value for Analogue Comparator 1 (CA1).

Analogue comparator 1 compares the selectable analogue value in menu [6111] with the constant Level HI in menu [6112] and constant Level LO in menu [6113]. If Bipolar type[6115] input signal is selected then the comparison is made with sign otherwise if unipolar selected then comparison is made with absolute values.

For Hysteresis comparator type [6114], when the value exceeds the upper limit level high, the output signal CA1 is set high and !A1 low, see Fig. 124. When the value decreases below the lower limit, the output signal CA1 is set low and !A1 high.

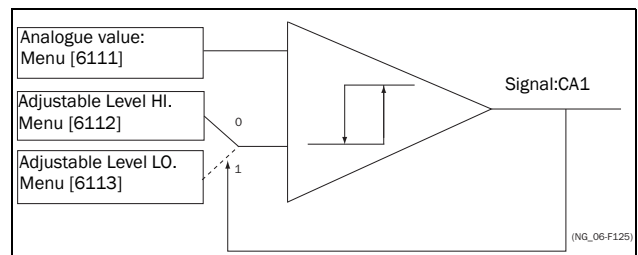


Fig. 124 Analogue comparator type Hysteresis

For Window comparator type [6114], when the value is between the lower and upper levels, the output signal value CA1 is set high and !A1 low, see Fig. 127. When the value is outside the band of lower and upper levels, the output CA1 is set low and !A1 high.

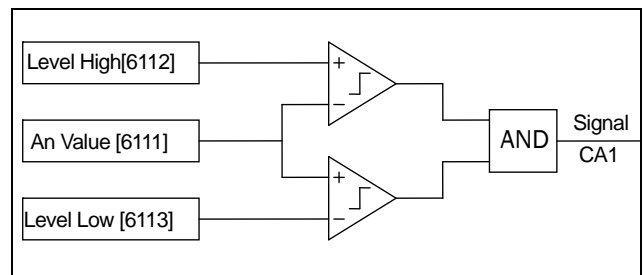


Fig. 125 Analogue comparator type "Window"

The output signal can be programmed as a virtual connection source and to the digital or relay outputs.

6111 CA1 Value Stp <b>A</b> Speed		
Default:		Speed
Process Val	0	Set by Process settings [321] and [322]
Speed	1	rpm
Torque	2	%
Shaft Power	3	kW
EI Power	4	kW
Current	5	A
Output Volt	6	V
Frequency	7	Hz
DC Voltage	8	V
Heatsink Tmp	9	°C
PT100_1	10	°C
PT100_2	11	°C
PT100_3	12	°C
Energy	13	kWh
Run Time	14	h
Mains Time	15	h
AnIn1	16	%
AnIn2	17	%
AnIn3	18	%
AnIn4	19	%
Process Ref	20	Set by Process settings [321] and [322]
Process Err	21	

#### Communication information

Modbus Instance no/DeviceNet no:	43401
Profibus slot/index	170/50
EtherCAT index (hex)	4d49
Profinet IO index	19758
Fieldbus format	UInt
Modbus format	UInt

#### Example

Create automatic RUN/STOP signal via the analogue reference signal. Analogue current reference signal, 4-20 mA, is connected to Analogue Input 1. "AnIn1 Setup", menu [512] = 4-20 mA and the threshold is 4 mA. Full scale (100%) input signal on "AnIn 1" = 20 mA. When the reference signal on "AnIn1" increases 80% of the threshold (4 mA x 0.8 = 3.2 mA), the AC drive will be set in RUN mode. When the signal on "AnIn1" goes below 60% of the threshold (4 mA x 0.6 = 2.4 mA) the AC drive is set to STOP mode. The output of CA1 is used as a virtual connection source that controls the virtual connection destination RUN.

Menu	Function	Setting
511	AnIn1 Function	Process reference
512	AnIn1 Set-up	4-20 mA, threshold is 4 mA
341	Min Speed	0
343	Max Speed	1500
6111	CA1 Value	AnIn1
6112	CA1 Level HI	16% (3.2mA/20mA x 100%)
6113	CA1 Level LO	12% (2.4mA/20mA x 100%)
6114	CA1 Type	Hysteresis
561	VIO 1 Dest	RunR
562	VIO 1 Source	CA1
215	Run/Stp Ctrl	Remote

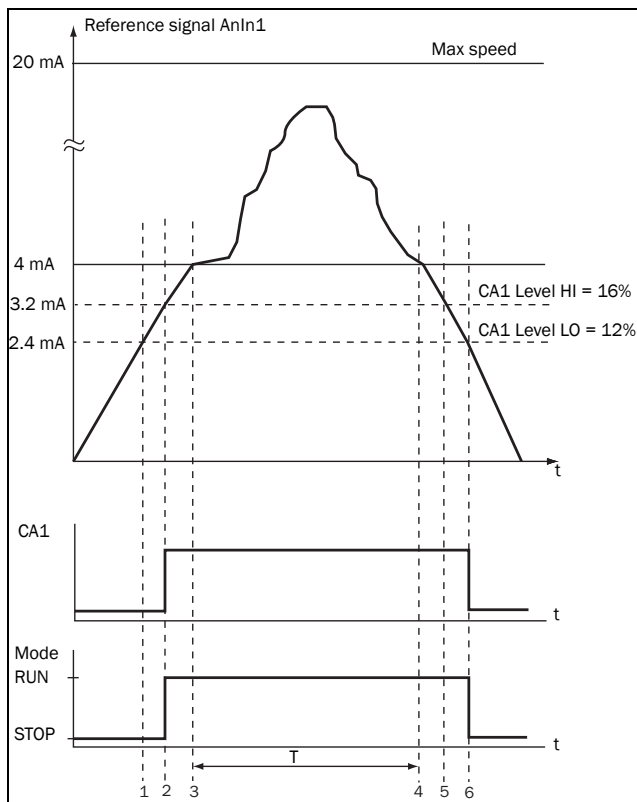


Fig. 126

No.	Description
1	The reference signal passes the Level LO value from below (positive edge), the comparator CA1 output stays low, mode=RUN.
2	The reference signal passes the Level HI value from below (positive edge), the comparator CA1 output is set high, mode=RUN.
3	The reference signal passes the threshold level of 4 mA, the motor speed will now follow the reference signal.
T	During this period the motor speed will follow the reference signal.
4	The reference signal reaches the threshold level, motor speed is 0 rpm, mode = RUN.
5	The reference signal passes the Level HI value from above (negative edge), the comparator CA1 output stays high, mode = RUN.
6	The reference signal passes the Level LO value from above (negative edge), the comparator CA1 output=STOP.

## Analogue Comparator 1, Level High [6112]

Sets the analogue comparator high level, with range according to the selected value in menu [6111].

<b>6112 CA1 Level HI</b> <b>Stp A</b> <b>300rpm</b>	
Default:	300 rpm
Range:	See min/max in table below.

### Min/Max setting range for menu [6112]

Mode	Min	Max	Decimals
Process Val	Set by Process settings [321] and [322]		3
Speed, rpm	0	Max speed	0
Torque, %	0	Max torque	0
Shaft Power, kW	0	Motor P <sub>n</sub> x4	0
EI Power, kW	0	Motor P <sub>n</sub> x4	0
Current, A	0	Motor I <sub>n</sub> x4	1
Output volt, V	0	1000	1
Frequency, Hz	0	400	1
DC voltage, V	0	1250	1
Heatsink temp, °C	0	100	1
PT 100_1_2_3, °C	-100	300	1
Energy, kWh	0	1000000	0
Run time, h	0	65535	0
Mains time, h	0	65535	0
AnIn 1-4%	0	100	0
Process Ref	Set by Process settings [321] and [322]		3
Process Err	Set by Process settings [321] and [322]		3

**NOTE: If Bipolar selected [6115] then Min value is equal to -Max in the table.**

### Communication information

Modbus Instance no/DeviceNet no:	43402
Profibus slot/index	170/51
EtherCAT index (hex)	4d4a
Profinet IO index	19786
Fieldbus format	Long, 1=1 W, 0.1 A, 0.1 V, 0.1 Hz, 0.1°C, 1 kWh, 1H, 1%, 1 rpm or 0.001 via process value
Modbus format	EInt

### Example

This example describes, both for hysteresis and window type comparator, the normal use of the constant level high and low.

Menu	Function	Setting
343	Max Speed	1500
6111	CA1 Value	Speed
6112	CA1 Level HI	300 rpm
6113	CA1 Level LO	200 rpm
6114	CA1 Type	Hysteresis
561	VC1 Dest	Timer 1
562	VC1 Source	CA1

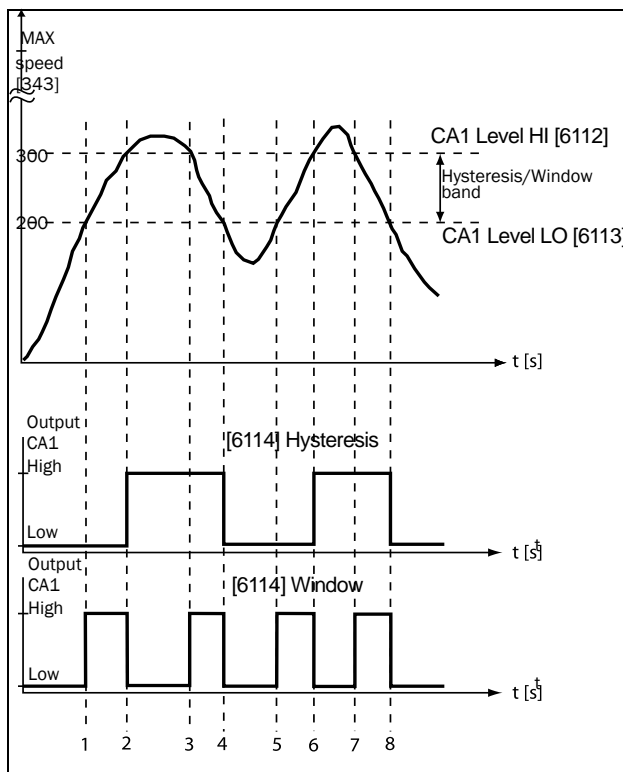


Fig. 127

Table 27 Comments to Fig. 127 regarding Hysteresis selection.

No.	Description	Hysteresis
1	The reference signal passes the Level LO value from below (positive edge), the comparator CA1 does not change, output stays low.	—
2	The reference signal passes the Level HI value from below (positive edge), the comparator CA1 output is set high.	↑
3	The reference signal passes the Level HI value from above (negative edge), the comparator CA1 does not change, output stays high.	—
4	The reference signal passes the Level LO value from above (negative edge), the comparator CA1 is reset, output is set low.	↓
5	The reference signal passes the Level LO value from below (positive edge), the comparator CA1 does not change, output stays low.	—
6	The reference signal passes the Level HI value from below (positive edge), the comparator CA1 output is set high.	↑
7	The reference signal passes the Level HI value from above (negative edge), the comparator CA1 does not change, output stays high.	—
8	The reference signal passes the Level LO value from above (negative edge), the comparator CA1 is reset, output is set low.	↓

Table 28 Comments to Fig. 127 regarding Window selection.

No.	Description	Window
1	The reference signal passes the Level LO value from below (signal inside Window band), the comparator CA1 output is set high.	↑
2	The reference signal passes the Level LO value from above (signal outside Window band), the comparator CA1 is reset, output is set low.	↓
3	The reference signal passes the Level HI value from above (signal inside Window band), the comparator CA1 output is set high.	↑
4	The reference signal passes the Level LO value from above (signal outside Window band), the comparator CA1 is reset, output is set low.	↓
5	The reference signal passes the Level LO value from below (signal inside Window band), the comparator CA1 output is set high.	↑
6	The reference signal passes the Level HI value from below (signal outside Window band), the comparator CA1 is reset, output is set low.	↓
7	The reference signal passes the Level HI value from above (signal inside Window band), the comparator CA1 output is set high.	↑
8	The reference signal passes the Level LO value from above (signal outside Window band), the comparator CA1 is reset, output is set low.	↓

## Analogue Comparator 1, Level Low [6113]

Sets the analogue comparator low level, with unit and range according to the selected value in menu [6111].

<b>6113 CA1 Level LO</b> <b>Stp A</b> <b>200rpm</b>	
Default:	200 rpm
Range:	Range as [6112].

### Communication information

Modbus Instance no/DeviceNet no:	43403
Profibus slot/index	170/52
EtherCAT index (hex)	4d4b
Profinet IO index	19787
Fieldbus format	Long, 1=1 W, 0.1 A, 0.1 V, 0.1 Hz, 0.1°C, 1 kWh, 1H, 1%, 1 rpm or 0.001 via process value
Modbus format	Elnt

## Analogue Comparator 1, Type [6114]

Selects the analogue comparator type, i.e. Hysteresis or Window type. See Fig. 128 and Fig. 129.

<b>6114 CA1 Type</b> <b>Stp A</b> <b>Hysteresis</b>	
Default:	Hysteresis
Hysteresis	0      Hysteresis type comparator
Window	1      Window type comparator

### Communication information

Modbus Instance no/DeviceNet no:	43481
Profibus slot/index	170/130
EtherCAT index (hex)	4d99
Profinet IO index	19865
Fieldbus format	UInt
Modbus format	UInt

## Analogue Comparator 1, Polarity[6115]

Selects how the selected value in [6111] should be handled prior to the analogue comparator, i.e. as absolute value or handled with sign. See Fig. 128

		<b>6115 CA1 Polar</b> Stp <b>A</b> <b>Unipolar</b>
Default:		Unipolar
Unipolar	0	Absolute value of [6111] used
Bipolar	1	Signed value of [6111] used

### Communication information

Modbus Instance no/DeviceNet no:	43486
Profibus slot/index	170/135
EtherCAT index (hex)	4d9e
Profinet IO index	19870
Fieldbus format	UInt
Modbus format	UInt

### Example

See Fig. 128 and Fig. 129 for different principle functionality of comparator features 6114 and 6115.

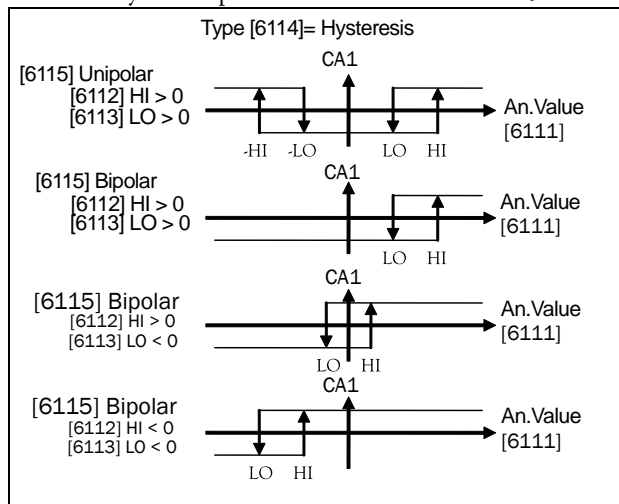


Fig. 128 Principle functionality of comparator features for "Type [6114] = Hysteresis" and "Polar [6115]".

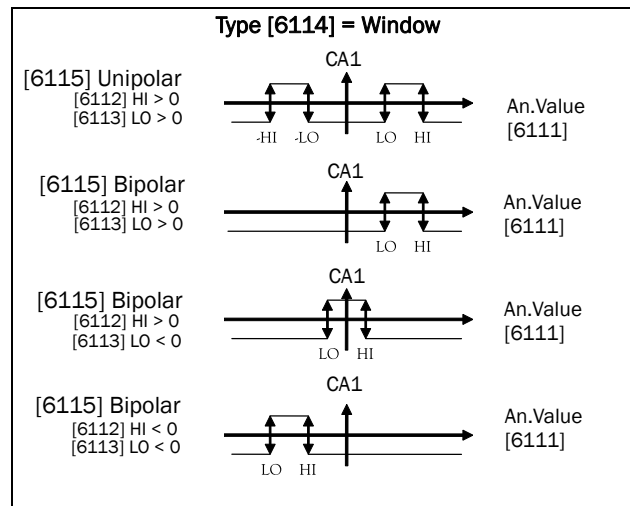


Fig. 129 Principle functionality of comparator features for "Type [6114] = Window" and "Polar [6115]".

**NOTE: When "Unipolar" is selected, absolute value of signal is used.**

**NOTE: When "Bipolar" is selected in [6115] then:**  
**1. Functionality is not symmetrical .**  
**2. Ranges for high/low are bipolar**

## CA2 Setup [612]

Analogue comparator 2, parameter group.

## Analogue Comparator 2, Value [6121]

Function is identical to analogue comparator 1, value [6111].

<b>6121 CA2 Value</b> Stp <b>A</b> <b>Torque</b>	
Default:	Torque
Selections:	Same as in menu [6111]

### Communication information

Modbus Instance no/DeviceNet no:	43404
Profibus slot/index	170/53
EtherCAT index (hex)	4d4c
Profinet IO index	19788
Fieldbus format	UInt
Modbus format	UInt

## Analogue Comparator 2, Level High [6122]

Function is identical to analogue comparator 1,  
level high [6112].

<b>6122 CA2 Level HI</b> <b>Stp A</b> <span style="float: right;">20%</span>	
Default:	20%
Range:	Enter a value for the high level.

### Communication information

Modbus Instance no/DeviceNet no:	43405
Profibus slot/index	170/54
EtherCAT index (hex)	4d4d
Profinet IO index	19789
Fieldbus format	Long 1=1 W, 0.1 A, 0.1 V, 0.1 Hz, 0.1°C, 1 kWh, 1H, 1%, 1 rpm or 0.001 via process value
Modbus format	Elnt

## Analogue Comparator 2, Level Low [6123]

Function is identical to analogue comparator 1,  
level low [6113].

<b>6123 CA2 Level LO</b> <b>Stp A</b> <span style="float: right;">10%</span>	
Default:	10%
Range:	Enter a value for the low level.

### Communication information

Modbus Instance no/DeviceNet no:	43406
Profibus slot/index	170/55
EtherCAT index (hex)	4d4e
Profinet IO index	19790
Fieldbus format	Long, 1=1 W, 0.1 A, 0.1 V, 0.1 Hz, 0.1°C, 1 kWh, 1H, 1%, 1 rpm or 0.001 via process value
Modbus format	Elnt

## Analogue Comparator 2, Type [6124]

Function is identical to analogue comparator 1,  
Type [6114].

<b>6124 CA2 Type</b> <b>Stp A</b> <span style="float: right;">Hysteresis</span>		
Default:	Hysteresis	
Hysteresis	0	Hysteresis type comparator
Window	1	Window type comparator

### Communication information

Modbus Instance no/DeviceNet no:	43482
Profibus slot/index	170/131
EtherCAT index (hex)	4d9a
Profinet IO index	19866
Fieldbus format	UInt
Modbus format	UInt

## Analogue Comparator 2, Polar [6125]

Function is identical to analogue comparator 1,  
Polar [6115].

<b>6125 CA2 Polar</b> <b>Stp A</b> <span style="float: right;">Unipolar</span>		
Default:	Unipolar	
Unipolar	0	Absolute value of [6111] used
Bipolar	1	Signed value of [6111] used

### Communication information

Modbus Instance no/DeviceNet no:	43487
Profibus slot/index	170/136
EtherCAT index (hex)	4d9f
Profinet IO index	19871
Fieldbus format	UInt
Modbus format	UInt



## CA3 Setup [613]

Analogue comparators 3, parameter group.

### Analogue Comparator 3, Value [6131]

Function is identical to analogue comparator 1, value [6111].

<b>6131 CA3 Value</b> <b>Stp A      Process Val</b>	
Default:	Process Value
Selections:	Same as in menu [6111]

#### Communication information

Modbus Instance no/DeviceNet no:	43471
Profibus slot/index	170/120
EtherCAT index (hex)	4d8f
Profinet IO index	19855
Fieldbus format	UInt
Modbus format	UInt

### Analogue Comparator 3, Level High [6132]

Function is identical to analogue comparator 1, level high [6112].

<b>6132 CA3 Level HI</b> <b>Stp A      300rpm</b>	
Default:	300rpm
Range:	Enter a value for the high level.

#### Communication information

Modbus Instance no/DeviceNet no:	43472
Profibus slot/index	170/121
EtherCAT index (hex)	4d90
Profinet IO index	19856
Fieldbus format	Long 1=1 W, 0.1 A, 0.1 V, 0.1 Hz, 0.1°C, 1 kWh, 1H, 1%, 1 rpm or 0.001 via process value
Modbus format	Elnt

### Analogue Comparator 3, Level Low [6133]

Function is identical to analogue comparator 1, level low [6113].

<b>6133 CA3 Level LO</b> <b>Stp A      200rpm</b>	
Default:	200 rpm
Range:	Enter a value for the low level.

#### Communication information

Modbus Instance no/DeviceNet no:	43473
Profibus slot/index	170/122
EtherCAT index (hex)	4d91
Profinet IO index	19857
Fieldbus format	Long, 1=1 W, 0.1 A, 0.1 V, 0.1 Hz, 0.1°C, 1 kWh, 1H, 1%, 1 rpm or 0.001 via process value
Modbus format	Elnt

### Analogue Comparator, 3 Type [6134]

Function is identical to analogue comparator 1, level Type [6114].

<b>6134 CA3 Type</b> <b>Stp A      Hysteresis</b>		
Default:	Hysteresis	
Hysteresis	0	Hysteresis type comparator
Window	1	Window type comparator

#### Communication information

Modbus Instance no/DeviceNet no:	43483
Profibus slot/index	170/132
EtherCAT index (hex)	4d9b
Profinet IO index	19867
Fieldbus format	UInt
Modbus format	UInt

## Analogue Comparator 3, Polar [6135]

Function is identical to analogue comparator 1, Polar [6115].

<b>6135 CA3 Polar</b> <b>Stp A                  Unipolar</b>		
Default:		Unipolar
Unipolar	0	Absolute value of [6111] used
Bipolar	1	Signed value of [6111] used

### Communication information

Modbus Instance no/DeviceNet no:	43488
Profibus slot/index	170/137
EtherCAT index (hex)	4da0
Profinet IO index	19872
Fieldbus format	UInt
Modbus format	UInt

## CA4 Setup [614]

Analogue comparators 4, parameter group.

## Analogue Comparator 4, Value [6141]

Function is identical to analogue comparator 1, value [6111].

<b>6141 CA4 Value</b> <b>Stp A                  Process Err</b>	
Default:	Process Error
Selections:	Same as in menu [6111]

### Communication information

Modbus Instance no/DeviceNet no:	43474
Profibus slot/index	170/123
EtherCAT index (hex)	4d92
Profinet IO index	19858
Fieldbus format	UInt
Modbus format	UInt

## Analogue Comparator 4, Level High [6142]

Function is identical to analogue comparator 1 level high [6112].

<b>6142 CA4 Level HI</b> <b>Stp A                  100rpm</b>	
Default:	100rpm
Range:	Enter a value for the high level.

### Communication information

Modbus Instance no/DeviceNet no:	43475
Profibus slot/index	170/124
EtherCAT index (hex)	4d93
Profinet IO index	19859
Fieldbus format	Long 1=1 W, 0.1 A, 0.1 V, 0.1 Hz, 0.1°C, 1 kWh, 1H, 1%, 1 rpm or 0.001 via process value
Modbus format	Elnt

## Analogue Comparator 4, Level Low [6143]

Function is identical to analogue comparator 1, level low [6113].

<b>6143 CA4 Level LO</b> <b>Stp A                  -100rpm</b>	
Default:	-100 rpm
Range:	Enter a value for the low level.

### Communication information

Modbus Instance no/DeviceNet no:	43476
Profibus slot/index	170/125
EtherCAT index (hex)	4d94
Profinet IO index	19860
Fieldbus format	Long, 1=1 W, 0.1 A, 0.1 V, 0.1 Hz, 0.1°C, 1 kWh, 1H, 1%, 1 rpm or 0.001 via process value
Modbus format	Elnt

## Analogue Comparator 4, Type [6144]

Function is identical to analogue comparator 1, level Type [6114]

		<b>6144 CA4 Type</b> <b>Stp A</b> <span style="float: right;"><b>Window</b></span>
Default:		Window
Hysteresis	0	Hysteresis type comparator
Window	1	Window type comparator

### Communication information

Modbus Instance no/DeviceNet no:	43484
Profibus slot/index	170/133
EtherCAT index (hex)	4d9c
Profinet IO index	19868
Fieldbus format	UInt
Modbus format	UInt

## Analogue Comparator 4, Polar [6145]

Function is identical to analogue comparator 1, Polar [6115]

		<b>6145 CA4 Polar</b> <b>Stp A</b> <span style="float: right;"><b>Bipolar</b></span>
Default:		Bipolar
Unipolar	0	Absolute value of [6111] used
Bipolar	1	Signed value of [6111] used

### Communication information

Modbus Instance no/DeviceNet no:	43489
Profibus slot/index	170/138
EtherCAT index (hex)	4da1
Profinet IO index	19873
Fieldbus format	UInt
Modbus format	UInt

## Digital comparator Setup [615]

Digital comparators, parameter group.

### Digital Comparator 1 [6151]

Selection of the input signal for digital comparator 1 (CD1).

The output signal CD1 is set high if the selected input signal is active. See Fig. 130.

The output signal can be programmed to the digital or relay outputs or used as a source for the virtual connections [560].

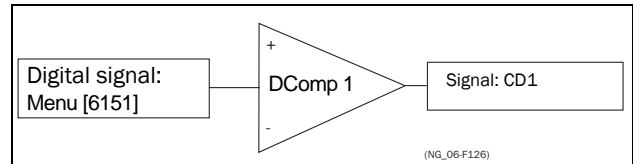


Fig. 130 Digital comparator

		<b>6151 CD1</b> <b>Stp A</b> <span style="float: right;"><b>Run</b></span>
Default:		Run
Selection:		Same selections as for "DigOut 1 [541]".

### Communication information

Modbus Instance no/DeviceNet no:	43407
Profibus slot/index	170/56
EtherCAT index (hex)	4d4f
Profinet IO index	19791
Fieldbus format	UInt
Modbus format	UInt

### Digital Comparator 2 [6152]

Function is identical to digital comparator 1 [6151].

		<b>6152 CD 2</b> <b>Stp A</b> <span style="float: right;"><b>DigIn 1</b></span>
Default:		DigIn 1
Selection:		Same selections as for "DigOut 1 [541]".

### Communication information

Modbus Instance no/DeviceNet no:	43408
Profibus slot/index	170/57
EtherCAT index (hex)	4d50
Profinet IO index	19792
Fieldbus format	UInt
Modbus format	UInt

## Digital Comparator 3 [6153]

Function is identical to digital comparator 1 [6151].

<b>6153 CD 3</b> <b>Stp A Trip</b>	
Default:	Trip
Selection:	Same selections as for "DigOut 1 [541]".

### Communication information

Modbus Instance no/DeviceNet no:	43477
Profibus slot/index	170/126
EtherCAT index (hex)	4d95
Profinet IO index	19861
Fieldbus format	UInt
Modbus format	UInt

## Digital Comparator 4 [6154]

Function is identical to digital comparator 1 [6151].

<b>6154 CD 4</b> <b>Stp A Ready</b>	
Default:	Ready
Selection:	Same selections as for "DigOut 1 [541]".

### Communication information

Modbus Instance no/DeviceNet no:	43478
Profibus slot/index	170/127
EtherCAT index (hex)	4d96
Profinet IO index	19862
Fieldbus format	UInt
Modbus format	UInt

## 11.6.2 Logic Output Y [620]

By means of an expression editor, the comparator signals can be logically combined into the Logic Y function.

The expression editor has the following features:

- The following signals can be used:  
CA1, CA2, CD1, CD2 or LZ (or LY)
- The following signals can be inverted:  
!A1, !A2, !D1, !D2, or !LZ (or !LY)
- The following logical operators are available:  
" + " : OR operator  
" & " : AND operator  
" ^ " : EXOR operator

Expressions according to the following truth table can be made:

Input		Result		
A	B	& (AND)	+ (OR)	^(EXOR)
0	0	0	0	0
0	1	0	1	1
1	0	0	1	1
1	1	1	1	0

The output signal can be programmed to the digital or relay outputs or used as a Virtual Connection Source [560].

<b>620 LOGIC Y</b>	
<b>Stp</b>	<b>CA1 &amp; !A2 &amp; CD1</b>

The expression must be programmed by means of the menus [621] to [625].

### Example:

#### Broken belt detection for Logic Y

This example describes the programming for a so-called "broken belt detection" for fan applications.

The comparator CA1 is set for frequency > 10Hz.

The comparator !A2 is set for load < 20%.

The comparator CD1 is set for Run.

The 3 comparators are all AND-ed, given the "broken belt detection".

In menus [621]-[625] expression entered for Logic Y is visible.

Set menu [621] to CA1

Set menu [622] to &

Set menu [623] to !A2

Set menu [624] to &

Set menu [625] to CD1

Menu [620] now holds the expression for Logic Y:

CA1&!A2&CD1

which is to be read as:

(CA1&!A2)&CD1

**NOTE: Set menu [624] to "." to finish the expression when only two comparators are required for Logic Y.**

## Y Comp 1 [621]

Selects the first comparator for the logic Y function.

621 Y Comp 1		CA1
Stp <b>A</b>		
Default:		CA1
CA1	0	
IA1	1	
CA2	2	
IA2	3	
CD1	4	
!D1	5	
CD2	6	
!D2	7	
LZ/LY	8	
!LZ/!LY	9	
T1	10	
!T1	11	
T2	12	
!T2	13	
CA3	14	
IA3	15	
CA4	16	
IA4	17	
CD3	18	
!D3	19	
CD4	20	
!D4	21	
C1	22	
!C1	23	
C2	24	
!C2	25	

## Communication information

Modbus Instance no/DeviceNet no:	43411
Profibus slot/index	170/60
EtherCAT index (hex)	4d53
Profinet IO index	19795
Fieldbus format	UInt
Modbus format	UInt

## Y Operator 1 [622]

Selects the first operator for the logic Y function.

622 Y Operator 1		
Stp <b>A</b> &		
Default:		&
&	1	&=AND
+	2	+ =OR
^	3	^ =EXOR

## Communication information

Modbus Instance no/DeviceNet no:	43412
Profibus slot/index	170/61
EtherCAT index (hex)	4d54
Profinet IO index	19796
Fieldbus format	UInt
Modbus format	UInt

## Y Comp 2 [623]

Selects the second comparator for the logic Y function.

623 Y Comp 2	
Stp <b>A</b> !A2	
Default:	!A2
Selection:	Same as menu [621]

## Communication information

Modbus Instance no/DeviceNet no:	43413
Profibus slot/index	170/62
EtherCAT index (hex)	4d55
Profinet IO index	19797
Fieldbus format	UInt
Modbus format	UInt

## Y Operator 2 [624]

Selects the second operator for the logic Y function.

<b>624 Y Operator 2</b> Stp <b>A</b> &		
Default:	&	
.	0	When · (dot) is selected, the Logic Y expression is finished (when only two expressions are tied together).
&	1	&=AND
+	2	+ =OR
^	3	^=EXOR

### Communication information

Modbus Instance no/DeviceNet no:	43414
Profibus slot/index	170/63
EtherCAT index (hex)	4d56
Profinet IO index	19798
Fieldbus format	UInt
Modbus format	UInt

## Y Comp 3 [625]

Selects the third comparator for the logic Y function.

<b>625 Y Comp 3</b> Stp <b>A</b> CD1	
Default:	CD1
Selection:	Same as menu [621]

### Communication information

Modbus Instance no/DeviceNet no:	43415
Profibus slot/index	170/64
EtherCAT index (hex)	4d57
Profinet IO index	19799
Fieldbus format	UInt
Modbus format	UInt

## 11.6.3 Logic Output Z [630]

**630 LOGIC Z**  
Stp **A** CA1&!A2&CD1

The expression must be programmed by means of the menus [631] to [635].

## Z Comp 1 [631]

Selects the first comparator for the logic Z function.

<b>631 Z Comp 1</b> Stp <b>A</b> CA1	
Default:	CA1
Selection:	Same as menu [621]

### Communication information

Modbus Instance no/DeviceNet no:	43421
Profibus slot/index	170/70
EtherCAT index (hex)	4d5d
Profinet IO index	19805
Fieldbus format	UInt
Modbus format	UInt

## Z Operator 1 [632]

Selects the first operator for the logic Z function.

<b>632 Z Operator 1</b> Stp <b>A</b> &	
Default:	&
Selection:	Same as menu [622]

### Communication information

Modbus Instance no/DeviceNet no:	43422
Profibus slot/index	170/71
EtherCAT index (hex)	4d5e
Profinet IO index	19806
Fieldbus format	UInt
Modbus format	UInt

## Z Comp 2 [633]

Selects the second comparator for the logic Z function.

<b>633 Z Comp 2</b> Stp <b>A</b> !A2	
Default:	!A2
Selection:	Same as menu [621]

### Communication information

Modbus Instance no/DeviceNet no:	43423
Profibus slot/index	170/72
EtherCAT index (hex)	4d5f
Profinet IO index	19807
Fieldbus format	UInt
Modbus format	UInt

## Z Operator 2 [634]

Selects the second operator for the logic Z function.

<b>634 Z Operator 2</b> Stp <b>A</b> &	
Default:	&
Selection:	Same as menu [624]

### Communication information

Modbus Instance no/DeviceNet no:	43424
Profibus slot/index	170/73
EtherCAT index (hex)	4d60
Profinet IO index	19808
Fieldbus format	UInt
Modbus format	UInt

## Z Comp 3 [635]

Selects the third comparator for the logic Z function.

<b>635 Z Comp 3</b> Stp <b>A</b> CD1	
Default:	CD1
Selection:	Same as menu [621]

### Communication information

Modbus Instance no/DeviceNet no:	43425
Profibus slot/index	170/74
EtherCAT index (hex)	4d61
Profinet IO index	19809
Fieldbus format	UInt
Modbus format	UInt

## 11.6.4 Timer1 [640]

The Timer functions can be used as a delay timer or as an interval with separate On and Off times (alternate mode). In delay mode, the output signal T1Q becomes high if the set delay time is expired. See Fig. 131.

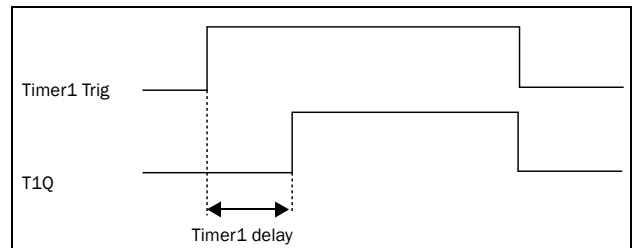


Fig. 131

In alternate mode, the output signal T1Q will switch automatically from high to low etc. according to the set interval times “Timer1 T1” and “Timer 1 T2”. See Fig. 132.

The output signal can be programmed to the digital or relay outputs used in logic functions [620] and [630], or as a virtual connection source [560].

**NOTE: The actual timers are common for all parameter sets. If the actual set is changed, the timer functionality [641] to [645] will change according set settings but the timer value will stay unchanged. So initialization of the timer might differ for a set change compared to normal triggering of a timer.**

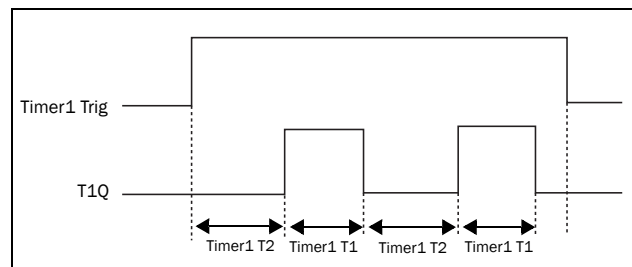


Fig. 132

## Timer 1 Trig [641]

Selection of the Timer input trigger signal.

<b>641 Timer1 Trig</b> Stp <b>A</b> <b>Off</b>	
Default:	Off
Selection:	Same selections as Digital Output 1 menu [541].

### Communication information

Modbus Instance no/DeviceNet no:	43431
Profibus slot/index	170/80
EtherCAT index (hex)	4d67
Profinet IO index	19815
Fieldbus format	UInt
Modbus format	UInt

## Timer 1 Mode [642]

Selection of mode of operation for Timer.

<b>642 Timer1 Mode</b> Stp <b>A</b> <b>Off</b>	
Default:	Off
Off	0
Delay	1
Alternate	2

### Communication information

Modbus Instance no/DeviceNet no:	43432
Profibus slot/index	170/81
EtherCAT index (hex)	4d68
Profinet IO index	19816
Fieldbus format	UInt
Modbus format	UInt

## Timer 1 Delay [643]

This menu is only visible when timer mode is set to delay.

This menu can only be edited as in alternative 2, see section 9.5, page 75.

Timer 1 delay sets the time that will be used by the first timer after it is activated. Timer 1 can be activated by a high signal on a DigIn that is set to Timer 1 or via a virtual destination [560].

<b>643 Timer1Delay</b> Stp <b>A</b> <b>0 : 00 : 00</b>	
Default:	0:00:00 (hr:min:sec)
Range:	0:00:00–9:59:59

### Communication information

Modbus Instance no/DeviceNet no:	43433 hours 43434 minutes 43435 seconds
Profibus slot/index	170/82, 170/83, 170/84
EtherCAT index (hex)	4d69, 4d6a, 4d6b
Profinet IO index	19817, 19818, 19819
Fieldbus format	UInt, 1=1 h/m/s
Modbus format	UInt, 1=1 h/m/s

## Timer 1 T1 [644]

When timer mode is set to Alternate and Timer 1 is enabled, this timer will automatically keep on switching according to the independently programmable on and off times. The Timer 1 in Alternate mode can be enabled by a digital input or via a virtual connection. See Fig. 132. Timer 1 T1 sets the on time in the alternate mode.

<b>644 Timer 1 T1</b> Stp <b>A</b> <b>0 : 00 : 00</b>	
Default:	0:00:00 (hr:min:sec)
Range:	0:00:00–9:59:59

### Communication information

Modbus Instance no/DeviceNet no:	43436 hours 43437 minutes 43438 seconds
Profibus slot/index	170/85, 170/86, 170/87
EtherCAT index (hex)	4d6c, 4d6d, 4d6e
Profinet IO index	19820, 19821, 19822
Fieldbus format	UInt, 1=1 h/m/s
Modbus format	UInt, 1=1 h/m/s



## Timer 1 T2 [645]

Timer 1 T2 sets the off time in the alternate mode.

<b>645 Timer1 T2</b> Stp <b>A</b> 0:00:00	
Default:	0:00:00, hr:min:sec
Range:	0:00:00–9:59:59

### Communication information

Modbus Instance no/DeviceNet no:	43439 hours 43440 minutes 43441 seconds
Profibus slot/index	170/88, 170/89, 170/90
EtherCAT index (hex)	4d6f, 4d70, 4d71
Profinet IO index	19823, 19824, 19825
Fieldbus format	UInt, 1=1 h/m/s
Modbus format	UInt, 1=1 h/m/s

**NOTE: “Timer 1 T1 [644]” and “Timer 1 T2 [645]” are only visible when Timer Mode is set to Alternate.**

## Timer 1 Value [649]

Timer 1 Value shows actual value of the timer.

<b>649 Timer1 Value</b> Stp <b>A</b> 0:00:00	
Default:	0:00:00, hr:min:sec
Range:	0:00:00–9:59:59

### Communication information

Modbus Instance no/DeviceNet no:	42921 hours 42922 minutes 42923 seconds
Profibus slot/index	168/80, 168/81, 168/82
EtherCAT index (hex)	4b69, 4b6a, 4b6b
Profinet IO index	19305, 19306, 19307
Fieldbus format	UInt, 1=1 h/m/s
Modbus format	UInt, 1=1 h/m/s

## 11.6.5 Timer2 [650]

Refer to the descriptions for Timer1.

### Timer 2 Trig [651]

<b>651 Timer2 Trig</b> Stp <b>A</b> Off	
Default:	Off
Selection:	Same selections as Digital Output 1 menu [541].

### Communication information

Modbus Instance no/DeviceNet no:	43451
Profibus slot/index	170/100
EtherCAT index (hex)	4d7b
Profinet IO index	19835
Fieldbus format	UInt
Modbus format	UInt

### Timer 2 Mode [652]

<b>652 Timer2 Mode</b> Stp <b>A</b> Off	
Default:	Off
Selection:	Same as in menu [642]

### Communication information

Modbus Instance no/DeviceNet no:	43452
Profibus slot/index	170/101
EtherCAT index (hex)	4d7c
Profinet IO index	19836
Fieldbus format	UInt
Modbus format	UInt

## Timer 2 Delay [653]

<b>653 Timer2Delay</b> Stp <b>A</b> 0:00:00	
Default:	0:00:00, hr:min:sec
Range:	0:00:00–9:59:59

### Communication information

Modbus Instance no/DeviceNet no:	43453 hours 43454 minutes 43455 seconds
Profibus slot/index	170/102, 170/103, 170/104
EtherCAT index (hex)	4d7d, 4d7e, 4d7f
Profinet IO index	19837, 19838, 19839
Fieldbus format	UInt, 1=1 h/m/s
Modbus format	UInt, 1=1 h/m/s

## Timer 2 T1 [654]

<b>654 Timer 2 T1</b> Stp <b>A</b> 0:00:00	
Default:	0:00:00, hr:min:sec
Range:	0:00:00–9:59:59

### Communication information

Modbus Instance no/DeviceNet no:	43456 hours 43457 minutes 43458 seconds
Profibus slot/index	170/105, 170/106, 170/107
EtherCAT index (hex)	4d80, 4d81, 4d82
Profinet IO index	19840, 19841, 19842
Fieldbus format	UInt, 1=1 h/m/s
Modbus format	UInt, 1=1 h/m/s

## Timer 2 T2 [655]

<b>655 Timer 2 T2</b> Stp <b>A</b> 0:00:00	
Default:	0:00:00, hr:min:sec
Range:	0:00:00–9:59:59

### Communication information

Modbus Instance no/DeviceNet no:	43459 hours 43460 minutes 43461 seconds
Profibus slot/index	170/108, 170/109, 170/110
EtherCAT index (hex)	4d83, 4d84, 4d85
Profinet IO index	19843, 19844, 19845
Fieldbus format	UInt, 1=1 h/m/s
Modbus format	UInt, 1=1 h/m/s

## Timer 2 Value [659]

Timer 2 Value shows actual value of the timer.

<b>659 Timer2 Value</b> Stp <b>A</b> 0:00:00	
Default:	0:00:00, hr:min:sec
Range:	0:00:00–9:59:59

### Communication information

Modbus Instance no/DeviceNet no:	42924 hours 42925 minutes 42926 seconds
Profibus slot/index	168/83, 168/84, 168/84
EtherCAT index (hex)	4b6c, 4b6d, 4b6f
Profinet IO index	19308, 19309, 19310
Fieldbus format	UInt, 1=1 h/m/s
Modbus format	UInt, 1=1 h/m/s

## 11.6.6 Counters [660]

Counter functions for counting pulses and signalling on digital output when counter reaches specified high and low limit levels.

The counter is counting up on positive flanks on the triggered signal, the counter is cleared as long as the Reset signal is active.

The counter can be automatically decremented with specified decrement time, if no new trigger signal has occurred within the decrement time.

The counter value is clamped to the high limit value and the digital output function (C1Q or C2Q) is active when counter value equals high limit value.

See Fig. 133 for more information of the counters.

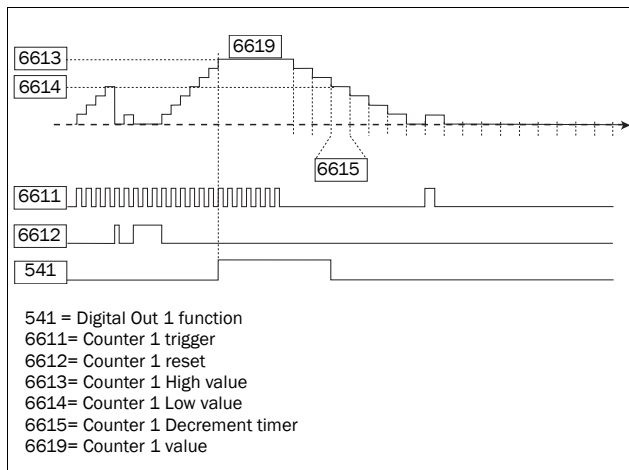


Fig. 133 Counters, operating principle.

### Counter 1 [661]

Counter 1 parameter group.

#### Counter 1 Trigger [6611]

Selection of the digital output signal used as trigger signal for counter 1. Counter 1 is incremented by 1 on every positive flank on the trigger signal.

**NOTE: Maximum counting frequency is 8 Hz.**

<b>6611 C1 Trig</b>	
Stp <b>A</b> Off	
Default:	Off
Selection:	Same selections as "Digital Out 1 [541]".

#### Communication information

Modbus Instance no/DeviceNet no:	43571
Profibus slot/index	170/220
EtherCAT index (hex)	4df3
Profinet IO index	19955
Fieldbus format	UInt
Modbus format	UInt

### Counter 1 Reset [6612]

Selection of the digital signal used as reset signal for counter 1. Counter 1 is cleared to 0 and held to 0 as long as reset input is active (high).

**NOTE: Reset input has top priority.**

<b>6612 C1 Reset</b>	
Stp <b>A</b> Off	
Default:	Off
Selection:	Same selections as "Digital Out 1 [541]".

#### Communication information

Modbus Instance no/DeviceNet no:	43572
Profibus slot/index	170/221
EtherCAT index (hex)	4df4
Profinet IO index	19956
Fieldbus format	UInt
Modbus format	UInt

### Counter 1 High value [6613]

Sets counter 1 high limit value. Counter 1 value is clamped to selected high limit value and the counter 1 output (C1Q) is active (high) when the counter value equals the high value.

**NOTE: Value 0 means that counter output is always true (high).**

<b>6613 C1 High Val</b>	
Stp <b>A</b> 0	
Default:	0
Range:	0 - 10000

#### Communication information

Modbus Instance no/DeviceNet no:	43573
Profibus slot/index	170/222
EtherCAT index (hex)	4df5
Profinet IO index	19957
Fieldbus format	Long, 1=1
Modbus format	Elnt

### Counter 1 Low value [6614]

Sets counter 1 low limit value. Counter 1 output (C1Q) is de-activated (low) when the counter value is equal or smaller than the low value.

**NOTE: Counter high value has priority so if high and low values are equal then the counter output is de-activated when the value is smaller than the low value.**

<div style="border: 2px solid black; padding: 5px; display: inline-block;"> <b>6614 C1 Low Val</b>                  Stp <b>A</b> <span style="float: right;">0</span> </div>	
Default:	0
Range:	0 - 10000

#### Communication information

Modbus Instance no/DeviceNet no:	43574
Profibus slot/index	170/223
EtherCAT index (hex)	4df6
Profinet IO index	19958
Fieldbus format	Long, 1=1
Modbus format	Elnt

### Counter 1 Decrement timer [6615]

Sets counter 1 automatic decrement timer value. The counter 1 is decremented by 1 after elapsed decrement time and if no new trigger has happened within the decrement time. The decrement timer is reset to 0 at every counter 1 trig pulse

<div style="border: 2px solid black; padding: 5px; display: inline-block;"> <b>6615 C1 DecTimer</b>                  Stp <b>A</b> <span style="float: right;">Off</span> </div>		
Default:		Off
Off	0	Off
1 - 3600	1 - 3600	1 - 3600 s

#### Communication information

Modbus Instance no/DeviceNet no:	43575
Profibus slot/index	170/224
EtherCAT index (hex)	4df7
Profinet IO index	19959
Fieldbus format	Long, 1=1 s
Modbus format	Elnt

### Counter 1 Value [6619]

Parameter shows the actual value of counter 1.

**NOTE: Counter 1 value is common for all parameter sets.**

**NOTE: The value is volatile and lost at power down.**

<div style="border: 2px solid black; padding: 5px; display: inline-block;"> <b>6619 C1 Value</b>                  Stp <b>A</b> <span style="float: right;">0</span> </div>	
Default:	0
Range:	0 - 10000

#### Communication information

Modbus Instance no/DeviceNet no:	42927
Profibus slot/index	168/86
EtherCAT index (hex)	4b6f
Profinet IO index	19311
Fieldbus format	UInt, 1=1
Modbus format	UInt

### Counter 2 [662]

Refer to description for Counter 1 [661].

### Counter 2 Trigger [6621]

Function is identical to Counter 1 Trigger [6611].

<div style="border: 2px solid black; padding: 5px; display: inline-block;"> <b>6621 C2 Trig</b>                  Stp <b>A</b> <span style="float: right;">Off</span> </div>	
Default:	Off
Selection:	Same selections as Digital Out 1 [541].

#### Communication information

Modbus Instance no/DeviceNet no:	43581
Profibus slot/index	170/230
EtherCAT index (hex)	4dfd
Profinet IO index	19965
Fieldbus format	UInt
Modbus format	UInt

### Counter 2 Reset [6622]

Function is identical to Counter 1 Reset [6612].

<div style="border: 2px solid black; padding: 5px; display: inline-block;"> <b>6622 C2 Reset</b>                  Stp <b>A</b> <span style="float: right;">Off</span> </div>	
Default:	Off
Selection:	Same selections as Digital Out 1 [541].

#### Communication information

Modbus Instance no/DeviceNet no:	43582
Profibus slot/index	170/231
EtherCAT index (hex)	4dfe
Profinet IO index	19966
Fieldbus format	UInt
Modbus format	UInt

### Counter 2 High value [6623]

Function is identical to Counter 1 High value [6613].

<b>6623 C2 High Val</b> Stp <b>A</b> 0		
Default:	0	
Range:	0 - 10000	

#### Communication information

Modbus Instance no/DeviceNet no:	43583
Profibus slot/index	170/232
EtherCAT index (hex)	4dff
Profinet IO index	19967
Fieldbus format	Long, 1=1
Modbus format	EInt

### Counter 2 Low value [6624]

Function is identical to Counter 1 Low value [6614].

<b>6624 C2 Low Val</b> Stp <b>A</b> 0		
Default:	0	
Range:	0 - 10000	

#### Communication information

Modbus Instance no/DeviceNet no:	43584
Profibus slot/index	170/233
EtherCAT index (hex)	4e00
Profinet IO index	19968
Fieldbus format	Long, 1=1
Modbus format	EInt

### Counter 2 Decrement timer [6625]

Function is identical to Counter 1 Decrement timer [6615].

<b>6625 C2 DecTimer</b> Stp <b>A</b> Off		
Default:		Off
Off	0	Off
1 - 3600	1 - 3600	1 - 3600 s

#### Communication information

Modbus Instance no/DeviceNet no:	43585
Profibus slot/index	170/234
EtherCAT index (hex)	4e01
Profinet IO index	19969
Fieldbus format	Long, 1=1 s
Modbus format	EInt

### Counter 2 Value [6629]

Parameter shows the actual value of counter 2.

**NOTE: Counter 2 value is common for all parameter sets.**

**NOTE: The value is volatile and lost at power down.**

<b>6629 C2 Value</b> Stp <b>A</b> 0	
Default:	0
Range:	0 - 10000

#### Communication information

Modbus Instance no/DeviceNet no:	42928
Profibus slot/index	168/87
EtherCAT index (hex)	4b70
Profinet IO index	19312
Fieldbus format	UInt, 1=1
Modbus format	UInt

## 11.7 View Operation/Status [700]

Menu with parameters for viewing all actual operational data, such as speed, torque, power, etc.

### 11.7.1 Operation [710]

#### Process Value [711]

The process value is showing the process actual value, depending on selection done in chapter, Process Source [321].

<b>711 Process Val</b> Stp	
Unit	Depends on selected Process source [321] and Process Unit [322].
Resolution	Speed: 1 rpm, 4 digits Other units: 3 digits

#### Communication information

Modbus Instance no/DeviceNet no:	31001
Profibus slot/index	121/145
EtherCAT index (hex)	23e9
Profinet IO index	1001
Fieldbus format	Long, 1=1rpm, 1%, 1°C or 0.001 if Process Value/ Process Ref using a [322] unit
Modbus format	EInt

#### Speed [712]

Displays the actual shaft speed.

<b>712 Speed</b> Stp rpm	
Unit:	rpm
Resolution:	1 rpm, 4 digits

#### Communication information

Modbus Instance no/DeviceNet no:	31002
Profibus slot/index	121/146
EtherCAT index (hex)	23ea
Profinet IO index	1002
Fieldbus format	Int, 1=1 rpm
Modbus format	Int, 1=1 rpm

#### Torque [713]

Displays the actual shaft torque.

<b>713 Torque</b> Stp 0% 0.0Nm	
Unit:	%, Nm
Resolution:	1 %, 0.1 Nm

#### Communication information

Modbus Instance no/DeviceNet no:	31003 Nm 31004 %
Profibus slot/index	121/147 121/148
EtherCAT index (hex)	23eb Nm 23ec %
Profinet IO index	1003 Nm 1004 %
Fieldbus format	Long, 1=0.1 Nm Long, 1=1 %
Modbus format	EInt

#### Shaft power [714]

Displays the actual shaft power.

<b>714 Shaft Power</b> Stp W	
Unit:	W
Resolution:	1W

#### Communication information

Modbus Instance no/DeviceNet no:	31005
Profibus slot/index	121/149
EtherCAT index (hex)	23ed
Profinet IO index	1005
Fieldbus format	Long, 1=1W
Modbus format	EInt

#### Electrical Power [715]

Displays the actual electrical output power.

<b>715 El Power</b> Stp kW	
Unit:	kW
Resolution:	1 W

### Communication information

Modbus Instance no/DeviceNet no:	31006
Profibus slot/index	121/150
EtherCAT index (hex)	23ee
Profinet IO index	1006
Fieldbus format	Long, 1=1W
Modbus format	Elnt

### Current [716]

Displays the actual output current.

<b>716 Current</b> Stp <b>A</b>	
Unit:	A
Resolution:	0.1 A

### Communication information

Modbus Instance no/DeviceNet no:	31007
Profibus slot/index	121/151
EtherCAT index (hex)	23ef
Profinet IO index	1007
Fieldbus format	Long, 1=0.1 A
Modbus format	Elnt

### Output Voltage [717]

Displays the actual output voltage.

<b>717 Output Volt</b> Stp <b>V</b>	
Unit:	V
Resolution:	0.1 V

### Communication information

Modbus Instance no/DeviceNet no:	31008
Profibus slot/index	121/152
EtherCAT index (hex)	23f0
Profinet IO index	1008
Fieldbus format	Long, 1=0.1 V
Modbus format	Elnt

### Frequency [718]

Displays the actual output frequency.

<b>718 Frequency</b> Stp <b>Hz</b>	
Unit:	Hz
Resolution:	0.1 Hz

### Communication information

Modbus Instance no/DeviceNet no:	31009
Profibus slot/index	121/153
EtherCAT index (hex)	23f1
Profinet IO index	1009
Fieldbus format	Long, 1=0.1 Hz
Modbus format	Elnt

### DC Link Voltage [719]

Displays the actual DC link voltage.

<b>719 DC Voltage</b> Stp <b>V</b>	
Unit:	V
Resolution:	0.1 V

### Communication information

Modbus Instance no/DeviceNet no:	31010
Profibus slot/index	121/154
EtherCAT index (hex)	23f2
Profinet IO index	1010
Fieldbus format	Long, 1=0.1 V
Modbus format	Elnt

## Heatsink Temperature [71A]

Displays the actual heatsink temperature, measured. The signal is generated by a sensor in the IGBT module.

<b>71A Heatsink Tmp</b> Stp °C	
Unit:	°C
Resolution:	0.1 °C

### Communication information

Modbus Instance no/DeviceNet no:	31011
Profibus slot/index	121/155
EtherCAT index (hex)	23f3
Profinet IO index	1011
Fieldbus format	Long, 1=0.1 °C
Modbus format	EInt

## PT100\_1\_2\_3 Temp [71B]

Displays the actual PT100 temperature.

<b>71B PT100 1,2,3</b> Stp °C	
Unit:	°C
Resolution:	1 °C

### Communication information

Modbus Instance no/DeviceNet no:	31012, 31013, 31014
Profibus slot/index	121/156 121/157 121/158
EtherCAT index (hex)	23f4, 23f5, 23f6
Profinet IO index	1012, 1013, 1014
Fieldbus format	Long, 1=1 °C
Modbus format	EInt

## 11.7.2 Status [720]

### VSD Status [721]

Indicates the overall status of the AC drive.

<b>721 VSD Status</b> Stp 1/222/333/44	
---	--

Fig. 134 AC drive status

Display position	Function	Status value
1	Parameter Set	A,B,C,D
222	Source of reference value	-Rem (remote) -Key (keyboard) -Com (Serial comm.) -Opt (option)
333	Source of Run/Stop command	-Rem (remote) -Key (keyboard) -Com (Serial comm.) -Opt (option)
44	Limit functions	--- -No limit active -VL (Voltage Limit) -SL (Speed Limit) -CL (Current Limit) -TL (Torque Limit)

### Example: "A/Key/Rem/TL"

This means:

A: Parameter Set A is active.

Key: Reference value comes from the keyboard (CP).

Rem: Run/Stop commands come from terminals 1-22.

TL: Torque Limit active.

### Communication information

Modbus Instance no/DeviceNet no:	31015
Profibus slot/index	121/159
EtherCAT index (hex)	23f7
Profinet IO index	1015
Fieldbus format	UInt
Modbus format	UInt



## Description of communication format

Integer values and bits used

Bit	Integer representation
1 - 0	Active Parameter set, where 0=A, 1=B, 2=C, 3=D
4 - 2	Source of Reference control value, where 0=Rem, 1=Key, 2=Com, 3=Option
7 - 5	Source of Run/Stop/Reset command, where 0=Rem, 1=Key, 2=Com, 3=Option
13 - 8	Active limit functions, where 0=No limit, 1=VL, 2=SL, 3=CL, 4=TL
14	Inverter is in warning (A warning condition is active)
15	Inverter is tripped (A Trip condition is active)

Example:

Previous example "A/Key/Rem/TL"

is interpreted "0/1/0/4"

In bit format this is presented as

Bit	Interpretation	Integer representation	
0 LSB	0	A(0)	Parameter set
1	0		
2	1	Key (1)	Source of control
3	0		
4	0		
5	0	Rem (0)	Source of command
6	0		
7	0		
8	0	TL (4)	Limit functions
9	0		
10	1		
11	0		
12	0		
13	0		
14	0		Warning condition
15 MSB	0		Trip condition

In the example above it is assumed that we have no trip or warning condition (the alarm LED on the control panel is off).

## Warning [722]

Display the actual or last warning condition. A warning occurs if the AC drive is close to a trip condition but still in operation. During a warning condition the red trip LED will start to blink as long as the warning is active.

<b>722</b>	<b>Warnings</b>
Stp	warn.msg

The active warning message is displayed in menu [722]. If no warning is active the message "No Error" is displayed.

The following warnings are possible:

Communication integer value	Warning message
0	No Error
1	Motor I <sup>2</sup> t
2	PTC
3	Motor lost
4	Locked rotor
5	Ext trip
6	Mon MaxAlarm
7	Mon MinAlarm
8	Comm error
9	PT100
11	Pump
12	Ext Mot Temp
13	LC Level
14	Brake
15	Option
16	Over temp
17	Over curr F
18	Over volt D
19	Over volt G
20	Over volt M
21	Over speed
22	Under voltage
23	Power fault
24	Desat
25	DClk error
26	Int error
27	Ovolt m cut
28	Over voltage
29	Not used
30	Not used
31	Encoder

## Communication information

Modbus Instance no/DeviceNet no:	31016
Profibus slot/index	121/160
EtherCAT index (hex)	23f8
Profinet IO index	1016
Fieldbus format	UInt
Modbus format	UInt

See also the Chapter 12. page 197.

## Digital Input Status [723]

Indicates the status of the digital inputs. See Fig. 135.

- 1 DigIn 1
- 2 DigIn 2
- 3 DigIn 3
- 4 DigIn 4
- 5 DigIn 5
- 6 DigIn 6
- 7 DigIn 7
- 8 DigIn 8

The positions one to eight (read from left to right) indicate the status of the associated input:

- 1 High
- 0 Low

The example in Fig. 135 indicates that DigIn 1, DigIn 3 and DigIn 6 are active at this moment.

<b>723 DigIn Status</b>	
Stp	1010 0100

Fig. 135 Digital input status example

Communication information

Modbus Instance no/DeviceNet no:	31017
Profibus slot/index	121/161
EtherCAT index (hex)	23f9
Profinet IO index	1017
Fieldbus format	UInt, bit 0=DigIn1, bit 8=DigIn8
Modbus format	

## Digital Output Status [724]

Indicates the status of the digital outputs and relays. See Fig. 136.

RE indicate the status of the relays on position:

- 1 Relay1
- 2 Relay2
- 3 Relay3

DO indicate the status of the digital outputs on position:

- 1 DigOut1
- 2 DigOut2

The status of the associated output is shown.

- 1 High
- 0 Low

The example in Fig. 136 indicates that DigOut1 is active and Digital Out 2 is not active. Relay 1 is active, relay 2 and 3 are not active.

<b>724 DigOutStatus</b>	
Stp	RE 100 DO 10

Fig. 136 Digital output status example

Communication information

Modbus Instance no/DeviceNet no:	31018
Profibus slot/index	121/162
EtherCAT index (hex)	23fa
Profinet IO index	1018
Fieldbus format	UInt, bit 0=DigOut1, bit 1=DigOut2 bit 8=Relay1 bit 9=Relay2 bit 10=Relay3
Modbus format	

## Analogue Input Status [725]

Indicates the status of the analogue inputs 1 and 2.

<b>725 AnIn 1</b>		<b>2</b>
Stp	-100%	65%

Fig. 137 Analogue input status

Communication information

Modbus Instance no/DeviceNet no:	31019, 31020
Profibus slot/index	121/163, 121/164
EtherCAT index (hex)	23fb, 23fc
Profinet IO index	1019, 1020
Fieldbus format	Long, 1=1%
Modbus format	Elnt

The first row indicates the analogue inputs.

- 1 AnIn 1
- 2 AnIn 2

Reading downwards from the first row to the second row the status of the belonging input is shown in %:

-100% AnIn1 has a negative 100% input value

65% AnIn2 has a 65% input value

So the example in Fig. 137 indicates that both the Analogue inputs are active.

---

**NOTE: The shown percentages are absolute values based on the full range/scale of the in- or output; so related to either 0–10 V or 0–20 mA.**

---

## Analogue Input Status [726]

Indicates the status of the analogue inputs 3 and 4.

<b>726 AnIn 3</b>		<b>4</b>
Stp	-100%	65%

Fig. 138 Analogue input status

### Communication information

Modbus Instance no/DeviceNet no:	31021, 31022
Profibus slot/index	121/165, 121/166
EtherCAT index (hex)	23fd, 23fe
Profinet IO index	1021, 1022
Fieldbus format	Long, 1=1%
Modbus format	Elnt

### Analogue Output Status [727]

Indicates the status of the analogue outputs. Fig. 135. E.g. if 4-20 mA output is used, the value 20% equals to 4 mA.

<b>727 AnOut 1</b>	<b>2</b>
Stp	-100% 65%

Fig. 139 Analogue output status

### Communication information

Modbus Instance no/DeviceNet no:	31023, 31024
Profibus slot/index	121/167, 121/168
EtherCAT index (hex)	23ff, 2400
Profinet IO index	1023, 1024
Fieldbus format	Long, 1=1%
Modbus format	Elnt

The first row indicates the Analogue outputs.

- 1 AnOut 1
- 2 AnOut 2

Reading downwards from the first row to the second row the status of the belonging output is shown in %:

- 100%AnOut1 has a negative 100% output value
- 65%AnOut2 has a 65% output value

The example in Fig. 135 indicates that both the Analogue outputs are active.

---

**NOTE: The shown percentages are absolute values based on the full range/scale of the in- or output; so related to either 0–10 V or 0–20 mA.**

---

### I/O board Status [728] - [72A]

Indicates the status for the additional I/O on option boards 1 (B1), 2 (B2) and 3 (B3).

<b>728 IO B1</b>
Stp RE 000 DI100

### Communication information

Modbus Instance no/DeviceNet no:	31025 - 31027
Profibus slot/index	121/170 - 172
EtherCAT index (hex)	2401 - 2403
Profinet IO index	1025 - 1027
Fieldbus format	UInt, bit 0=DigIn1
Modbus format	bit 1=DigIn2
	bit 2=DigIn3
	bit 8=Relay1
	bit 9=Relay2
	bit 10=Relay3

### 11.7.3 Stored values [730]

The shown values are the actual values built up over time. Values are stored at power down and updated again at power up.

#### Run Time [731]

Displays the total time that the AC drive has been in the Run Mode.

<b>731 Run Time</b> Stp                      h:mm:ss	
Unit:	h: mm:ss (hours: minutes: seconds)
Range:	00: 00: 00-262143: 59: 59

#### Communication information

Modbus Instance no/DeviceNet no:	31028:31029:31030 (hr:min:sec)
Profibus slot/index	121/172:121/173: 121/ 174
EtherCAT index (hex)	2404:2405:2406
Profinet IO index	1028:1029:1030
Fieldbus format	Long, 1=1h:m:s
Modbus format	Eint

#### Reset Run Time [7311]

Reset the run time counter. The stored information will be erased and a new registration period will start.

<b>7311 Reset RunTm</b> Stp <b>A</b> No	
Default:	No
No	0
Yes	1

#### Communication information

Modbus Instance no/DeviceNet no:	7
Profibus slot/index	0/6
EtherCAT index (hex)	2007
Profinet IO index	7
Fieldbus format	UInt
Modbus format	UInt

**NOTE:** After reset the setting automatically reverts to "No".

### Mains time [732]

Displays the total time that the AC drive has been connected to the mains supply. This timer cannot be reset.

<b>732 Mains Time</b> Stp                      h:mm:ss	
Unit:	h: mm:ss (hours: minutes: seconds)
Range:	00: 00: 00-262143: 59: 59

#### Communication information

Modbus Instance no/DeviceNet no:	31031:31032:31033 (hr:min:sec)
Profibus slot/index	121/175:121/176: 121/ 177
EtherCAT index (hex)	2407 : 2408 : 2409
Profinet IO index	1031:1032:1033
Fieldbus format	Long, 1=1h:m:s
Modbus format	Eint

### Energy [733]

Displays the total energy consumption since the last energy reset [7331] took place.

<b>733 Energy</b> Stp                      kWh	
Unit:	Wh (shows Wh, kWh, MWh or GWh)
Range:	0.0-999999GWh

#### Communication information

Modbus Instance no/DeviceNet no:	31034
Profibus slot/index	121/178
EtherCAT index (hex)	240a
Profinet IO index	1034
Fieldbus format	Long, 1=1 Wh
Modbus format	EInt

## Reset Energy [7331]

Resets the energy counter. The stored information will be erased and a new registration period will start.

<b>7331 Rst Energy</b> Stp <b>A</b> <span style="float: right;"><b>No</b></span>	
Default:	No
Selection:	No, Yes

### Communication information

Modbus Instance no/DeviceNet no:	6
Profibus slot/index	0/5
EtherCAT index (hex)	2006
Profinet IO index	6
Fieldbus format	UInt
Modbus format	UInt

**NOTE: After reset the setting automatically goes back to "No".**

## 11.8 View Trip Log [800]

Main menu with parameters for viewing all the logged trip data. In total the AC drive saves the last 10 trips in the trip memory. The trip memory refreshes on the FIFO principle (First In, First Out). Every trip in the memory is logged on the time of the "Run Time [731]" counter. At every trip, the actual values of several parameter are stored and available for troubleshooting.

### 11.8.1 Trip Message log [810]

Display the cause of the trip and what time that it occurred. When a trip occurs the status menus are copied to the trip message log. There are nine trip message logs [810]–[890]. When the tenth trip occurs the oldest trip will disappear.

After reset of occurred trip, the trip message will be removed and menu [100] will be indicated.

<b>8x0 Trip message</b> Stp <span style="float: right;"><b>h:mm:ss</b></span>	
Unit:	h: m (hours: minutes)
Range:	0h: 0m–65355h: 59m

<b>810 Ext Trip</b> Stp <span style="float: right;"><b>132:12:14</b></span>	
--	--

For fieldbus integer value of trip message, see message table for warnings, [722].

**NOTE: Bits 0–5 used for trip message value. Bits 6–15 for internal use.**

### Communication information

Modbus Instance no/DeviceNet no:	31101
Profibus slot/index	121/245
EtherCAT index (hex)	244d
Profinet IO index	1101
Fieldbus format	UInt, 1=1
Modbus format	UInt

## Trip message [811]-[810]

The information from the status menus are copied to the trip message log when a trip occurs.

Trip menu	Copied from	Description
811	711	Process Value
812	712	Speed
813	712	Torque
814	714	Shaft Power
815	715	Electrical Power
816	716	Current
817	717	Output voltage
818	718	Frequency
819	719	DC Link voltage
81A	71A	Heatsink Temperature
81B	71B	PT100_1, 2, 3
81C	721	AC drive Status
81D	723	Digital input status
81E	724	Digital output status
81F	725	Analogue input status 1-2
81G	726	Analogue input status 3-4
81H	727	Analogue output status 1-2
81I	728	I/O status option board 1
81J	729	I/O status option board 2
81K	72A	I/O status option board 3
81L	731	Run Time
81M	732	Mains Time
81N	733	Energy
81O	310	Process reference

### Communication information

Modbus Instance no/DeviceNet no:	31102 - 31135
Profibus slot/index	121/246 - 254, 122/0 - 24
EtherCAT index (hex)	244e - 246f
Profinet IO index	1102 - 1135
Fieldbus format	Depends on parameter, see respective parameter.
Modbus format	Depends on parameter, see respective parameter.

## Example:

Fig. 136 shows the third trip memory menu [830]: Over temperature trip occurred after 1396 hours and 13 minutes in Run time.

<b>830 Over temp</b>
Stp                    1396h : 13m

Fig. 140 Trip 3

## 11.8.2 Trip Messages [820] - [890]

Same information as for menu [810].

### Communication information

Modbus Instance no/ DeviceNet no:	31151-31185	Trip log list
	31201-31235	2
	31251-31285	3
	31301-31335	4
	31351-31385	5
	31401-31435	6
	31451-31485	7
	31501-31535	8
	31501-31535	9
Profibus slot/index	122/40-122/74	Trip log list
	122/90-122/124	2
	122/140-122/174	3
	122/190-122/224	4
	122/240-123/18	5
	123/35 - 123/68	6
	123/85-123/118	7
	123/135-123/168	8
	123/135-123/168	9
EtherCAT index (hex)	247e - 24b0	Trip log list
	24b1 - 24e2	2
	24e3 - 2514	3
	2515 - 2546	4
	2547 - 2578	5
	2579 - 25aa	6
	25ab - 25dc	7
	25dd - 260e	8
	25dd - 260e	9
Profinet IO index	1151 - 1185	Trip log list
	1201 - 1235	2
	1251 - 1285	3
	1301 - 1335	4
	1351 - 1385	5
	1401 - 1435	6
	1451 - 1485	7
	1501 - 1535	8
	1501 - 1535	9
Fieldbus format	See Trip 811 - 810	
Modbus format	See Trip 811 - 810	

All nine alarm lists contain the same type of data. For example DeviceNet parameter 31101 in alarm list 1 contains the same data information as 31151 in alarm list 2.

### 11.8.3 Reset Trip Log [8A0]

Resets the content of the 10 trip memories.

		<b>8A0 Reset Trip</b> Stp <b>No</b>
Default:	No	
No	0	
Yes	1	

#### Communication information

Modbus Instance no/DeviceNet no:	8
Profibus slot/index	0/7
EtherCAT index (hex)	2008
Profinet IO index	8
Fieldbus format	UInt
Modbus format	UInt

**NOTE: After the reset the setting goes automatically back to "NO". The message "OK" is displayed for 2 sec.**

## 11.9 System Data [900]

Main menu for viewing all the AC drive system data.

### 11.9.1 VSD Data [920]

#### VSD Type [921]

Shows the AC drive type according to the type number.

The options are indicated on the type plate of the AC drive.

**NOTE: If the control board is not configured, then type shown is FDU40-XXX.**

<b>921</b>	<b>FDU2.0</b>
Stp	<b>FDU48-046</b>

Example of type

#### Communication information

Modbus Instance no/DeviceNet no:	31037
Profibus slot/index	121/181
EtherCAT index (hex)	240d
Profinet IO index	1037
Fieldbus format	UInt, 1=1
Modbus format	UInt

#### Examples:

FDU48-046AC drive-series suited for 380-480 volt mains supply, and a rated output current of 46 A.

## Software [922]

Shows the software version number of the AC drive.

Fig. 141 gives an example of the version number.

<b>922 Software</b>
Stp V 4.32 - 03.07

Fig. 141 Example of software version

V 4.32 = Software version

- 03.07 = option version, is only visible and valid for special software, type OEM adapted software.

03 = (major) special software variant number

07 = (minor) revision of this special software

Communication information

Modbus Instance no/DeviceNet no:	31038 software version 31039 option version
Profibus slot/index	121/182-183
EtherCAT index (hex)	240e, 240f
Profinet IO index	1038, 1039
Fieldbus format	UInt
Modbus format	UInt

Table 29 Information for Modbus and Profibus number, software version

Bit	Example	Description
7-0	32	minor
13-8	4	major
15-14		release 00: V, release version 01: P, pre-release version 10: β, Beta version 11: α, Alpha version

Table 30 Information for Modbus and Profibus number, option version

Bit	Example	Description
7-0	07	minor
15-8	03	major

**NOTE: It is important that the software version displayed in menu [922] is the same software version number as the software version number written on the title page of this instruction manual. If not, the functionality as described in this manual may differ from the functionality of the AC drive.**

## Unit name [923]

Option to enter a name of the unit for service use or customer identity. The function enables the user to define a name with max 12 characters. Use the Prev and Next key to move the cursor to the required position. Then use the + and - keys to scroll in the character list. Confirm the character by moving the cursor to the next position by pressing the Next key. See section User-defined Unit [323].

### Example

Create user name USER 15.

1. When in the menu [923] press Next to move the cursor to the right most position.
2. Press the + key until the character U is displayed.
3. Press Next.
4. Then press the + key until S is displayed and confirm with Next.
5. Repeat until you have entered USER15.

<b>923 USER 15</b> Stp
Default: No characters shown

Communication information

Modbus Instance no/DeviceNet no:	42301-42312
Profibus slot/index	165/225-236
EtherCAT index (hex)	48fd - 4908
Profinet IO index	18685 - 18696
Fieldbus format	UInt
Modbus format	UInt

When sending a unit name you send one character at a time starting at the right most position.



## 12. Troubleshooting, Diagnoses and Maintenance

### 12.1 Trips, warnings and limits

In order to protect the AC drive the principal operating variables are continuously monitored by the system. If one of these variables exceeds the safety limit an error/warning message is displayed. In order to avoid any possibly dangerous situations, the inverter sets itself into a stop Mode called Trip and the cause of the trip is shown in the display.

Trips will always stop the AC drive. Trips can be divided into normal and soft trips, depending on the setup Trip Type, see menu “[250] Autoreset”. Normal trips are default. For normal trips the AC drive stops immediately, i.e. the motor coasts naturally to a standstill. For soft trips the AC drive stops by ramping down the speed, i.e. the motor decelerates to a standstill.

#### “Normal Trip”

- The AC drive stops immediately, the motor coasts to a standstill.
- The Trip relay or output is active (if selected).
- The Trip LED is on.
- The accompanying trip message is displayed.
- The “TRP” status indication is displayed (area D of the display).
- After reset command, the trip message will disappear and menu [100] will be indicated.

#### “Soft Trip”

- the AC drive stops by decelerating to a standstill.

During the deceleration.

- The accompanying trip message is displayed, including an additional soft trip indicator “S” before the trip time.
- The Trip LED is flashing.
- The Warning relay or output is active (if selected).

After standstill is reached.

- The Trip LED is on.
- The Trip relay or output is active (if selected).
- The “TRP” status indication is displayed (area D of the display).
- After reset command, the trip message will disappear and menu [100] will be indicated.

Apart from the TRIP indicators there are two more indicators to show that the inverter is in an “abnormal” situation.

#### “Warning”

- The inverter is close to a trip limit.
- The Warning relay or output is active (if selected).
- The Trip LED is flashing.
- The accompanying warning message is displayed in window “[722] Warning”.
- One of the warning indications is displayed (area F of the display).

#### “Limits”

- The inverter is limiting torque and/or frequency to avoid a trip.
- The Limit relay or output is active (if selected).
- The Trip LED is flashing.
- One of the Limit status indications is displayed (area D of the display).

Table 31 List of trips and warnings

Trip/Warning messages	Selections	Trip (Normal/Soft)	Warning indicators (Area D)
Motor I <sup>2</sup> t	Trip/Off/Limit	Normal/Soft	I <sup>2</sup> t
PTC	Trip/Off	Normal/Soft	
Motor PTC	On	Normal	
PT100	Trip/Off	Normal/Soft	
Motor lost	Trip/Off	Normal	
Locked rotor	Trip/Off	Normal	
Ext trip	Via DigIn	Normal/Soft	
Ext Mot Temp	Via DigIn	Normal/Soft	
Mon MaxAlarm	Trip/Off/Warn	Normal/Soft	
Mon MinAlarm	Trip/Off/Warn	Normal/Soft	
Comm error	Trip/Off/Warn	Normal/Soft	
Deviation	Via Option	Normal	
Encoder	Trip/Off	Normal	
Pump	Via Option	Normal	
Over temp	On	Normal	OT
Over curr F	On	Normal	
Over volt D	On	Normal	
Over volt G	On	Normal	
Over volt	On	Normal	
Under voltage	On	Normal	LV
LC Level	Trip/Off/Warn Via DigIn	Normal/Soft	LCL
Desat ### *	On	Normal	
DClink error	On	Normal	
Power Fault PF ##### *	On	Normal	
Ovolt m cut	On	Normal	
Over voltage	Warning		VL
Safe stop	Warning		SST
Brake	Trip/Off/Warn	Normal	
OPTION	On	Normal	

\*) Refer to table Table 32 regarding which Desat or Power Fault is triggered.

## 12.2 Trip conditions, causes and remedial action

The table later on in this section must be seen as a basic aid to find the cause of a system failure and to how to solve any problems that arise. An AC drive is mostly just a small part of a complete AC drive system. Sometimes it is difficult to determine the cause of the failure, although the AC drive gives a certain trip message it is not always easy to find the right cause of the failure. Good knowledge of the complete drive system is therefore necessary. Contact your supplier if you have any questions.

The AC drive is designed in such a way that it tries to avoid trips by limiting torque, overvolt etc.

Failures occurring during commissioning or shortly after commissioning are most likely to be caused by incorrect settings or even bad connections.

Failures or problems occurring after a reasonable period of failure-free operation can be caused by changes in the system or in its environment (e.g. wear).

Failures that occur regularly for no obvious reasons are generally caused by Electro Magnetic Interference. Be sure that the installation fulfils the demands for installation stipulated in the EMC directives. See chapter 8. page 69.

Sometimes the so-called "Trial and error" method is a quicker way to determine the cause of the failure. This can be done at any level, from changing settings and functions to disconnecting single control cables or replacing entire drives.

The Trip Log can be useful for determining whether certain trips occur at certain moments. The Trip Log also records the time of the trip in relation to the run time counter.



### **WARNING!**

**If it is necessary to open the AC drive or any part of the system (motor cable housing, conduits, electrical panels, cabinets, etc.) to inspect or take measurements as suggested in this instruction manual, it is absolutely necessary to read and follow the safety instructions in the manual.**

### 12.2.1 Technically qualified personnel

Installation, commissioning, demounting, making measurements, etc., of or at the AC drive may only be carried out by personnel technically qualified for the task.

### 12.2.2 Opening the AC drive



#### **WARNING!**

**Always switch the mains voltage off if it is necessary to open the AC drive and wait at least 7 minutes to allow the capacitors to discharge.**



#### **WARNING!**

**In case of malfunctioning always check the DC-link voltage, or wait one hour after the mains voltage has been switched off, before dismantling the AC drive for repair.**

The connections for the control signals and the switches are isolated from the mains voltage. Always take adequate precautions before opening the AC drive.

### 12.2.3 Precautions to take with a connected motor

If work must be carried out on a connected motor or on the driven machine, the mains voltage must always first be disconnected from the AC drive. Wait at least 7 minutes before continuing.

### 12.2.4 Autoreset Trip

If the maximum number of Trips during Autoreset has been reached, the trip message hour counter is marked with an "A".

**830 OVERVOLT G  
Trp A 345:45:12**

*Fig. 142 Autoreset trip*

Fig. 142 shows the 3rd trip memory menu [830]: Overvoltage G trip after the maximum Autoreset attempts took place after 345 hours, 45 minutes and 12 seconds of run time.

Table 32 Trip condition, their possible causes and remedial action

Trip condition	Possible Cause	Remedy	Size**
Motor I <sup>2</sup> t "I <sup>2</sup> t"	I <sup>2</sup> t value is exceeded. - Overload on the motor according to the programmed I <sup>2</sup> t settings.	- Check on mechanical overload on the motor or the machinery (bearings, gearboxes, chains, belts, etc.) - Change the Motor I <sup>2</sup> t Current setting in menu group [230]	
PTC	Motor thermistor (PTC) exceeds maximum level. <b>NOTE: Only valid if option board PTC/ PT100 is used.</b>	- Check on mechanical overload on the motor or the machinery (bearings, gearboxes, chains, belts, etc.) - Check the motor cooling system. - Self-cooled motor at low speed, too high load. - Set PTC, menu [234] to OFF	
Motor PTC	Motor thermistor (PTC) exceeds maximum level. <b>NOTE: Only valid if [237] is enabled.</b>	- Check on mechanical overload on the motor or the machinery (bearings, gearboxes, chains, belts, etc.) - Check the motor cooling system. - Self-cooled motor at low speed, too high load. - Set PTC, menu [237] to OFF	003 - 088
PT100	Motor PT100 elements exceeds maximum level. <b>NOTE: Only valid if option board PTC/ PT100 is used.</b>	- Check on mechanical overload on the motor or the machinery (bearings, gearboxes, chains, belts, etc.) - Check the motor cooling system. - Self-cooled motor at low speed, too high load. - Set PT100 to OFF, menu [234]	
Motor lost	Phase loss or too great imbalance on the motor phases	- Check the motor voltage on all phases. - Check for loose or poor motor cable connections - If all connections are OK, contact your supplier - Set motor lost alarm to OFF.	
Locked rotor	Torque limit at motor standstill: - Mechanical blocking of the rotor.	- Check for mechanical problems at the motor or the machinery connected to the motor - Set locked rotor alarm to OFF.	
Ext trip	External input (DigIn 1-8) active: - active low function on the input.	- Check the equipment that initiates the external input - Check the programming of the digital inputs DigIn 1-8	
Ext Mot Temp	External input (DigIn 1-8) active: - active low function on the input.	- Check the equipment that initiates the external input - Check the programming of the digital inputs DigIn 1-8	
Mon MaxAlarm	Max alarm level (overload) has been reached.	- Check the load condition of the machine - Check the monitor setting in section 11.4.1, page 142.	
Mon MinAlarm	Min alarm level (underload) has been reached.	- Check the load condition of the machine - Check the monitor setting in section 11.4.1, page 142.	
Comm error	Error on serial communication (option)	- Check cables and connection of the serial communication. - Check all settings with regard to the serial communication - Restart the equipment including the AC drive	

Table 32 Trip condition, their possible causes and remedial action

Trip condition	Possible Cause	Remedy	Size**
Deviation1	CRANE board detecting deviation in motor operation. <b>NOTE: Only used in Crane Control.</b>	<ul style="list-style-type: none"> <li>- Check encoder signals</li> <li>- Check Deviation jumper on Crane option board.</li> <li>- Check the settings in menus [3AB] &amp; [3AC]</li> </ul>	
Deviation2	Motor speed deviation in between reference and measured speed detected. <b>NOTE: Only valid if option board Encoder is used.</b>	<ul style="list-style-type: none"> <li>- Check motor operation.</li> <li>- Check speed deviation settings [22G#].</li> <li>- Check speed PI controller settings [37#].</li> <li>- Check torque limit setting [351]</li> </ul>	
Encoder	Lost encoder board, encoder cable or encoder pulses. <b>NOTE: Only valid if option board Encoder is used.</b>	<ul style="list-style-type: none"> <li>- Check encoder board.</li> <li>- Check encoder cable and signals.</li> <li>- Disable encoder, set menu [22B] to OFF.</li> </ul>	
Pump	No master pump can be selected due to error in feedback signalling. <b>NOTE: Only used in Pump Control.</b>	<ul style="list-style-type: none"> <li>- Check cables and wiring for Pump feedback signals</li> <li>- Check settings with regard to the pump feedback digital inputs</li> </ul>	
Over temp	Heatsink temperature too high: <ul style="list-style-type: none"> <li>- Too high ambient temperature of the AC drive</li> <li>- Insufficient cooling</li> <li>- Too high current</li> <li>- Blocked or stuffed fans</li> </ul>	<ul style="list-style-type: none"> <li>- Check the cooling of the AC drive cabinet.</li> <li>- Check the functionality of the built-in fans. The fans must switch on automatically if the heatsink temperature gets too high. At power up the fans are briefly switched on.</li> <li>- Check AC drive and motor rating</li> <li>- Clean fans</li> </ul>	
Over curr F	Motor current exceeds the peak AC drive current: <ul style="list-style-type: none"> <li>- Too short acceleration time.</li> <li>- Too high motor load</li> <li>- Excessive load change</li> <li>- Soft short-circuit between phases or phase to earth</li> <li>- Poor or loose motor cable connections</li> <li>- Too high IxR Compensation level</li> </ul>	<ul style="list-style-type: none"> <li>- Check the acceleration time settings and make them longer if necessary.</li> <li>- Check the motor load.</li> <li>- Check on bad motor cable connections</li> <li>- Check on bad earth cable connection</li> <li>- Check on water or moisture in the motor housing and cable connections.</li> <li>- Lower the level of IxR Compensation [352]</li> </ul>	
Over volt D(eceleration)	Too high DC Link voltage: <ul style="list-style-type: none"> <li>- Too short deceleration time with respect to motor/machine inertia.</li> </ul>	<ul style="list-style-type: none"> <li>- Check the deceleration time settings and make them longer if necessary.</li> </ul>	
Over volt G(eneration)	<ul style="list-style-type: none"> <li>- Too small brake resistor malfunctioning Brake chopper</li> </ul>	<ul style="list-style-type: none"> <li>- Check the dimensions of the brake resistor and the functionality of the Brake chopper (if used)</li> </ul>	
Over volt (Mains)	Too high DC Link voltage, due to too high mains voltage	<ul style="list-style-type: none"> <li>- Check the main supply voltage</li> </ul>	
O(ver) volt M(ains) cut		<ul style="list-style-type: none"> <li>- Try to take away the interference cause or use other main supply lines.</li> </ul>	
Under voltage	Too low DC Link voltage: <ul style="list-style-type: none"> <li>- Too low or no supply voltage</li> <li>- Mains voltage dip due to starting other major power consuming machines on the same line.</li> </ul>	<ul style="list-style-type: none"> <li>- Make sure all three phases are properly connected and that the terminal screws are tightened.</li> <li>- Check that the mains supply voltage is within the limits of the AC drive.</li> <li>- Try to use other mains supply lines if dip is caused by other machinery</li> <li>- Use the function low voltage override [421]</li> </ul>	
LC Level	Low liquid cooling level in external reservoir. External input (DigIn 1-8) active: <ul style="list-style-type: none"> <li>- active low function on the input.</li> </ul> <b>NOTE: Only valid for AC drive types with Liquid Cooling option.</b>	<ul style="list-style-type: none"> <li>- Check liquid cooling</li> <li>- Check the equipment and wiring that initiates the external input</li> <li>- Check the programming of the digital inputs DigIn 1-8</li> </ul>	
OPTION	If an Option specific trip occurs	Check the description of the specific option	

Table 32 Trip condition, their possible causes and remedial action

Trip condition	Possible Cause	Remedy	Size**
<b>Desat</b>	Failure in output stage, - desaturation of IGBTs - Hard short circuit between phases or phase to earth - Earth fault - For size B - D also the Brake IGBT	<ul style="list-style-type: none"> <li>- Check on bad motor cable connections</li> <li>- Check on bad earth cable connections</li> <li>- Check on water and moisture in the motor housing and cable connections</li> <li>- Check that the rating plate data of the motor is correctly entered.</li> <li>- Check the brake resistor, brake IGBT and wiring.</li> <li>- For size G and up, check the cables from the PEBBs to the motor, that all are in correct order in parallel connection</li> </ul>	003 - 088
<b>Desat U+ *</b>			090 & Up
<b>Desat U- *</b>			
<b>Desat V+ *</b>			
<b>Desat V- *</b>			
<b>Desat W+ *</b>			
<b>Desat W- *</b>			
<b>Desat BCC *</b>			
<b>DC link error</b>	DC link voltage ripple exceeds maximum level	<ul style="list-style-type: none"> <li>- Make sure all three phases are properly connected and that the terminal screws are tightened.</li> <li>- Check that the mains supply voltage is within the limits of the AC drive.</li> <li>- Try to use other mains supply lines if dip is caused by other machinery.</li> </ul>	
<b>Power Fault</b>	One of the 10 PF (Power Fault) trips below has occurred, but could not be determined.	<ul style="list-style-type: none"> <li>- Check the PF errors and try to determine the cause. The trip history can be helpful.</li> </ul>	
<b>PF Fan Err *</b>	Error in fan module	<ul style="list-style-type: none"> <li>- Check for clogged air inlet filters in panel door and blocking material in fan module.</li> </ul>	090 & Up
<b>PF HCB Err*</b>	Error in controlled rectifier module (HCB)	<ul style="list-style-type: none"> <li>- Check mains supply voltage</li> </ul>	060 & Up
<b>PF Curr Err *</b>	Error in current balancing: - between different modules. - between two phases within one module.	<ul style="list-style-type: none"> <li>- Check motor.</li> <li>- Check fuses and line connections</li> <li>- Check the individual motor current leads with an clamp on amp meter.</li> </ul>	300 & Up
<b>PF Overvolt *</b>	Error in voltage balancing, overvoltage detected in one of the power modules (PEBB)	<ul style="list-style-type: none"> <li>- Check motor.</li> <li>- Check fuses and line connections.</li> </ul>	300 & Up
<b>PF Comm Err *</b>	Internal communication error	Contact service	
<b>PF Int Temp *</b>	Internal temperature too high	Check internal fans	
<b>PF Temp Err *</b>	Malfunction in temperature sensor	Contact service	
<b>PF DC Err *</b>	DC-link error and mains supply fault	<ul style="list-style-type: none"> <li>- Check mains supply voltage</li> <li>- Check fuses and line connections.</li> </ul>	060 & Up
<b>PF Sup Err *</b>	Mains supply fault	<ul style="list-style-type: none"> <li>- Check mains supply voltage</li> <li>- Check fuses and line connections.</li> </ul>	
<b>Brake</b>	Brake tripped on brake fault (not released) or Brake not engaged during stop.	<ul style="list-style-type: none"> <li>- Check Brake acknowledge signal wiring to selected digital input.</li> <li>- Check programming of digital input DigIn 1-8, [520].</li> <li>- Check circuit breaker feeding mechanical brake circuit.</li> <li>- Check mechanical brake if acknowledge signal is wired from brake limit switch.</li> <li>- Check brake contactor.</li> <li>- Check settings [33C], [33D], [33E], [33F].</li> </ul>	

\* = 2...6 Module number if parallel power units (size 300–3000 A)

\*\* = If no size is mentioned in this column, the information is valid for all sizes.

## 12.3 Maintenance

The AC drive is designed not to require any servicing or maintenance. There are however some things which must be checked regularly.

All AC drives have built-in fan which is speed controlled using heatsink temperature feedback. This means that the fans are only running if the AC drive is running and loaded. The design of the heatsinks is such that the fan does not blow the cooling air through the interior of the AC drive, but only across the outer surface of the heatsink. However, running fans will always attract dust. Depending on the environment the fan and the heatsink will collect dust. Check this and clean the heatsink and the fans when necessary.

If AC drives are built into cabinets, also check and clean the dust filters of the cabinets regularly.

Check external wiring, connections and control signals. Tighten terminal screws if necessary. For more information on maintenance, please contact your CG Drives & Automation service partner.

## 13. Options

The standard options available are described here briefly. Some of the options have their own instruction or installation manual. For more information please contact your supplier. See also in “Technical catalogue AC drives” for more info.

### 13.1 Options for the control panel

Part number	Description
01-3957-00	Panel kit complete including panel
01-3957-01	Panel kit complete including blank panel

Mounting cassette, blank panel and straight RS232-cable are available as options for the control panel. These options may be useful, for example for mounting a control panel in a cabinet door.

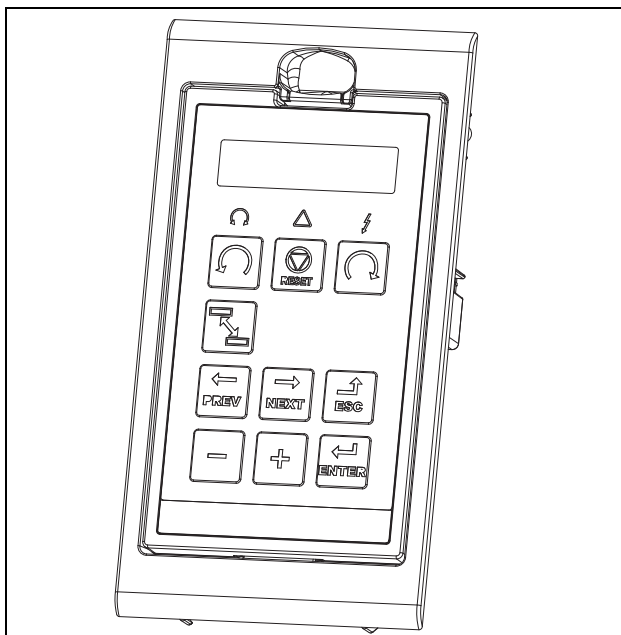


Fig. 143 Control panel in mounting cassette

### 13.2 Handheld Control Panel 2.0

Part number	Description
01-5039-00	Handheld Control Panel 2.0 complete for FDU/VFX2.0 or CDU/CDX 2.0



The Handheld Control Panel - HCP 2.0 is a complete control panel, easy to connect to the AC drive, for temporary use when e.g. commissioning, servicing and so on.

The HCP has full functionality including memory. It is possible to set parameters, view signals, actual values, fault logger information and so on. It is also possible to use the memory to copy all data (such as parameter set data and motor data) from one AC drive to the HCP and then load this data to other AC drives

### 13.3 EmoSoftCom

EmoSoftCom is an optional software that runs on a personal computer. It can also be used to load parameter settings from the AC drive to the PC for backup and printing. Recording can be made in oscilloscope mode. Please contact CG Drives & Automation sales for further information.

## 13.4 Brake chopper

All AC drive sizes can be fitted with an optional built-in brake chopper. The brake resistor must be mounted outside the AC drive. The choice of the resistor depends on the application switch-on duration and duty-cycle. This option can not be after mounted.



**WARNING!**  
The table gives the minimum values of the brake resistors. Do not use resistors lower than this value. The AC drive can trip or even be damaged due to high braking currents.

The following formula can be used to define the power of the connected brake resistor:

$$P_{\text{resistor}} = \frac{(\text{Brake level } V_{\text{DC}})^2}{R_{\text{min}}} \times \text{ED}$$

Where:

- $P_{\text{resistor}}$  required power of brake resistor
- Brake level VDC DC brake voltage level (see Table 33)
- $R_{\text{min}}$  minimum allowable brake resistor (see Table 34, Table 35 and Table 36)
- ED effective braking period. Defined as:
- $$\text{ED} = \frac{t_{\text{br}}}{120 \text{ [s]}}$$
- $t_{\text{br}}$  Active braking time at nominal braking power during a 2 minute operation cycle.

Maximum value of ED = 1, meaning continuous braking.

Table 33

Supply voltage ( $V_{\text{AC}}$ ) (set in menu [21B])	Brake level ( $V_{\text{DC}}$ )
220-240	380
380-415	660
440-480	780
500-525	860
550-600	1000
660-690	1150

Table 34 Brake resistor FDU48 V types

Type	Rmin [ohm] if supply 380-415 $V_{\text{AC}}$	Rmin [ohm] if supply 440-480 $V_{\text{AC}}$
FDU48-003	43	50
-004	43	50
-006	43	50
-008	43	50
-010	43	50
-013	43	50
-018	43	50
-025	26	30
-026	26	30
-030	26	30
-031	26	30
-036	17	20
-037	17	20
-045	17	20
-046	17	20
-060	10	12
-061	10	12
-072	10	12
-074	10	12
-088	7.5	9
-090	3.8	4.4
-106	3.8	4.4
-109	3.8	4.4
-142	3.8	4.4
-146	3.8	4.4
-171	3.8	4.4
-175	3.8	4.4
-205	2.7	3.1
-210	2.7	3.1
-244	2.7	3.1
-250	2.7	3.1
-300	2 x 3.8	2 x 4.4
-375	2 x 3.8	2 x 4.4
-430	2 x 2.7	2 x 3.1
-500	2 x 2.7	2 x 3.1
-600	3 x 2.7	3 x 3.1
-650	3 x 2.7	3 x 3.1
-750	3 x 2.7	3 x 3.1
-860	4 x 2.7	4 x 3.1
-1K0	4 x 2.7	4 x 3.1
-1K15	5 x 2.7	5 x 3.1
-1K25	5 x 2.7	5 x 3.1
-1K35	6 x 2.7	6 x 3.1
-1K5	6 x 2.7	6 x 3.1
-1K75	7 x 2.7	7 x 3.1
-2K0	8 x 2.7	8 x 3.1
-2K25	9 x 2.7	9 x 3.1
-2K5	10 x 2.7	10 x 3.1



Table 35 Brake resistor FDU52 V types

Type	Rmin [ohm] if supply 440–480 V <sub>AC</sub>	Rmin [ohm] if supply 500–525 V <sub>AC</sub>
FDU52-003	50	55
-004	50	55
-006	50	55
-008	50	55
-010	50	55
-013	50	55
-018	50	55
-026	30	32
-031	30	32
-037	20	22
-046	20	22
-061	12	14
-074	12	14

Table 36 Brake resistor FDU69 V types

Type	Rmin [ohm] if supply 500–525 V <sub>AC</sub>	Rmin [ohm] if supply 550–600 V <sub>AC</sub>	Rmin [ohm] if supply 660–690 V <sub>AC</sub>
FDU69-090	4.9	5.7	6.5
-109	4.9	5.7	6.5
-146	4.9	5.7	6.5
-175	4.9	5.7	6.5
-200	4.9	5.7	6.5
-250	2 x 4.9	2 x 5.7	2 x 6.5
-300	2 x 4.9	2 x 5.7	2 x 6.5
-375	2 x 4.9	2 x 5.7	2 x 6.5
-400	2 x 4.9	2 x 5.7	2 x 6.5
-430	3 x 4.9	3 x 5.7	3 x 6.5
-500	3 x 4.9	3 x 5.7	3 x 6.5
-595	3 x 4.9	3 x 5.7	3 x 6.5
-650	4 x 4.9	4 x 5.7	4 x 6.5
-720	4 x 4.9	4 x 5.7	4 x 6.5
-800	4 x 4.9	4 x 5.7	4 x 6.5
-905	5 x 4.9	5 x 5.7	5 x 6.5
-995	5 x 4.9	5 x 5.7	5 x 6.5
-1K2	6 x 4.9	6 x 5.7	6 x 6.5
-1K4	7 x 4.9	7 x 5.7	7 x 6.5
-1K6	8 x 4.9	8 x 5.7	8 x 6.5
-1K8	9 x 4.9	9 x 5.7	9 x 6.5
-2K0	10 x 4.9	10 x 5.7	10 x 6.5
-2K2	11 x 4.9	11 x 5.7	11 x 6.5
-2K4	12 x 4.9	12 x 5.7	12 x 6.5
-2K6	13 x 4.9	13 x 5.7	13 x 6.5
-2K8	14 x 4.9	14 x 5.7	14 x 6.5
-3K0	15 x 4.9	15 x 5.7	15 x 6.5

**NOTE: Although the AC drive will detect a failure in the brake electronics, the use of resistors with a thermal overload which will cut off the power at overload is strongly recommended.**

The brake chopper option is built-in by the manufacturer and must be specified when the AC drive is ordered.

## 13.5 I/O Board

Part number	Description
01-3876-01	I/O option board 2.0

Each I/O option board 2.0 provides three extra relay outputs and three extra isolated digital inputs (24V). The I/O Board works in combination with the Pump/Fan Control, but can also be used as a separate option. Maximum 3 I/O boards possible. This option is described in a separate manual.

## 13.6 Encoder

Part number	Description
01-3876-03	Encoder 2.0 option board

The Encoder 2.0 option board, used for connection of feedback signal of the actual motor speed via an incremental encoder is described in a separate manual.

For Emotron FDU this function is for speed read-out only or for spin start function. No speed control.

## 13.7 PTC/PT100

Part number	Description
01-3876-08	PTC/PT100 2.0 option board

The PTC/PT100 2.0 option board for connecting motor thermistors and max 3 PT100 elements to the AC drive is described in a separate manual.

## 13.8 Serial communication and fieldbus

Part number	Description	From FDUsoftware version (see menu [922])
01-3876-04	RS232/485	4.0
01-3876-05	Profibus DP	4.0
01-3876-06	DeviceNet	4.0
01-3876-09	Modbus/TCP, Industrial Ethernet	4.11
01-3876-10	EtherCAT, Industrial Ethernet	4.32
01-3876-11	Profinet IO, one port Industrial Ethernet	4.32
01-3876-12	Profinet IO, two port Industrial Ethernet	4.32

For communication with the AC drive there are several option boards for communication. There are different options for Fieldbus communication and one serial communication option with RS232 or RS485 interface which has galvanic isolation.

## 13.9 Standby supply board option

Part number	Description
01-3954-00	Standby power supply kit for after mounting. Not for frame sizes D & D2

The standby supply board option provides the possibility of keeping the communication system up and running without having the 3-phase mains connected. One advantage is that the system can be set up without mains power. The option will also give backup for communication failure if main power is lost.

The standby supply board option is supplied with external  $\pm 10\%$  24 V<sub>DC</sub> protected by a 2 A slow acting fuse, from a double isolated transformer. The terminals X1:1, X1:2 (on size B,C and E to F) are voltage polarity independent. The terminals A- and B+ (on size D) are voltage polarity dependent.

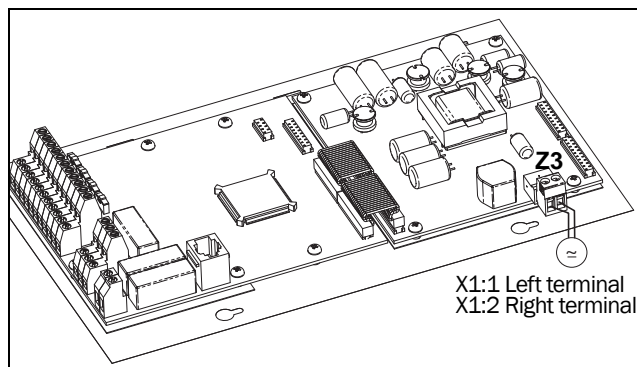


Fig. 144 Connection of standby supply option on frame sizes B, C, C2, E, E2, F and F2.

X1 terminal	Name	Function	Specification
1	Ext. supply 1	External, AC drive main power independent, supply voltage for control and communication circuits	24 V <sub>DC</sub> or V <sub>AC</sub> $\pm 10\%$ Double isolated
2	Ext. supply 2		

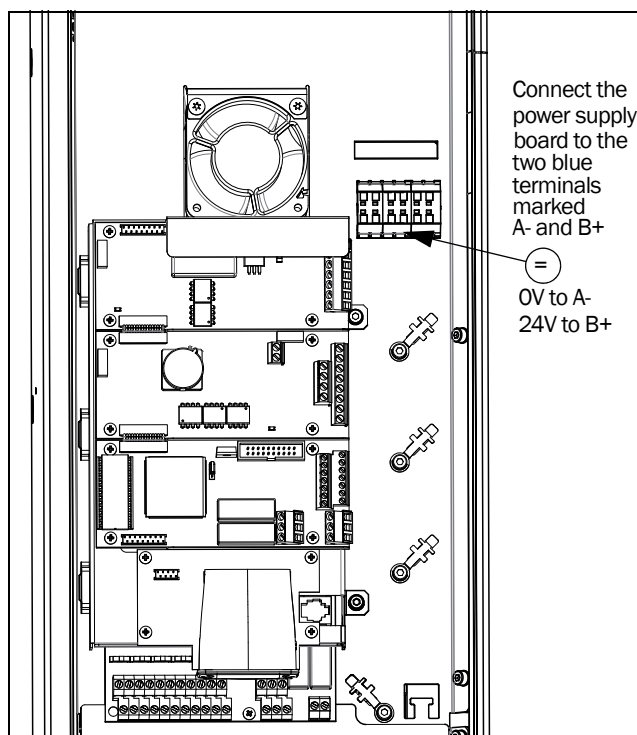


Fig. 145 Connection of standby supply option on frame size D and D2

Terminal	Name	Function	Specification
A -	0V	External, AC drive main power independent, supply voltage for control and communication circuits	24 V <sub>DC</sub> $\pm 10\%$ Double isolated
B +	+24V		

## 13.10 Safe Stop option

To realize a Safe Stop configuration in accordance with Safe Torque Off (STO) EN-IEC 62061:2005 SIL 2 & EN-ISO 13849-1:2006, the following three parts need to be attended to:

1. Inhibit trigger signals with safety relay K1 (via Safe Stop option board).
2. Enable input and control of AC drive (via normal I/O control signals of AC drive).
3. Power conductor stage (checking status and feedback of driver circuits and IGBT's).

To enable the AC drive to operate and run the motor, the following signals should be active:

- "Inhibit" input, terminals 1 (DC+) and 2 (DC-) on the Safe Stop option board should be made active by connecting  $24\text{ V}_{\text{DC}}$  to secure the supply voltage for the driver circuits of the power conductors via safety relay K1. See also Fig. 148.
- High signal on the digital input, e.g. terminal 10 in Fig. 148, which is set to "Enable". For setting the digital input please refer to section 11.5.2, page 155.

These two signals need to be combined and used to enable the output of the AC drive and make it possible to activate a Safe Stop condition.

---

**NOTE: The "Safe Stop" condition according to EN-IEC 62061:2005 SIL 2 & EN-ISO 13849-1:2006, can only be realized by de-activating both the "Inhibit" and "Enable" inputs.**

---

When the "Safe Stop" condition is achieved by using these two different methods, which are independently controlled, this safety circuit ensures that the motor will not start running because:

- The  $24\text{VDC}$  signal is disconnected from the "Inhibit" input, terminals 1 and 2, the safety relay K1 is switched off.  
The supply voltage to the driver circuits of the power conductors is switched off. This will inhibit the trigger pulses to the power conductors.
- The trigger pulses from the control board are shut down.  
The Enable signal is monitored by the controller circuit which will forward the information to the PWM part on the Control board.

To make sure that the safety relay K1 has been switched off, this should be guarded externally to ensure that this relay did not refuse to act. The Safe Stop option board offers a feedback signal for this via a second forced switched safety relay K2 which is switched on when a detection circuit has confirmed that the supply voltage to the driver circuits is shut down. See Table 37 for the contacts connections.

To monitor the "Enable" function, the selection "RUN" on a digital output can be used. For setting a digital output, e.g.

terminal 20 in the example Fig. 148, please refer to section 11.5.4, page 161 [540].

When the "Inhibit" input is de-activated, the AC drive display will show a flashing "SST" indication in section D (bottom left corner) and the red Trip LED on the Control panel will be flashing.

To resume normal operation, the following steps have to be taken:

- Release "Inhibit" input;  $24\text{V}_{\text{DC}}$  (High) to terminal 1 and 2.
- Give a STOP signal to the AC drive, according to the set Run/Stop Control in menu [215].
- Give a new Run command, according to the set Run/Stop Control in menu [215].

---

**NOTE: The method of generating a STOP command is dependent on the selections made in Start Signal Level/Edge [21A] and the use of a separate Stop input via digital input.**

---



**WARNING!**

The safe stop function can never be used for electrical maintenance. For electrical maintenance the AC drive should always be disconnected from the supply voltage.

---

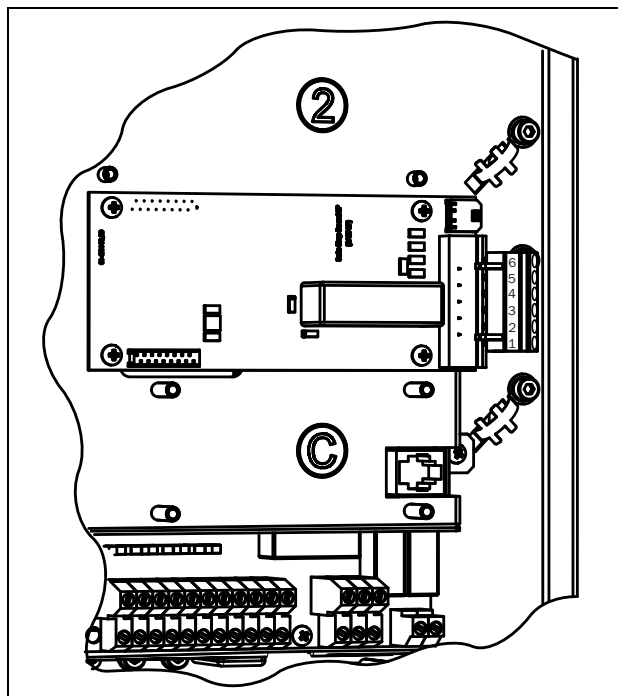


Fig. 146 Connection of safe stop option in size B - D.

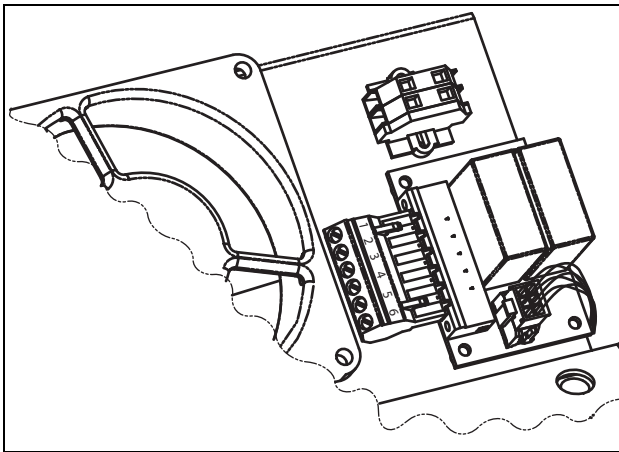


Fig. 147 Connection of safe stop option in size E and up.

Table 37 Specification of Safe Stop option board

X1 pin	Name	Function	Specification
1	Inhibit +	Inhibit driver circuits of power conductors	DC 24 V (20–30 V)
2	Inhibit -		
3	NO contact relay K2	Feedback; confirmation of activated inhibit	48 V <sub>DC</sub> / 30 V <sub>AC</sub> /2 A
4	P contact relay K2		
5	GND	Supply ground	
6	+24 VDC	Supply Voltage for operating Inhibit input only.	+24 V <sub>DC</sub> , 50 mA

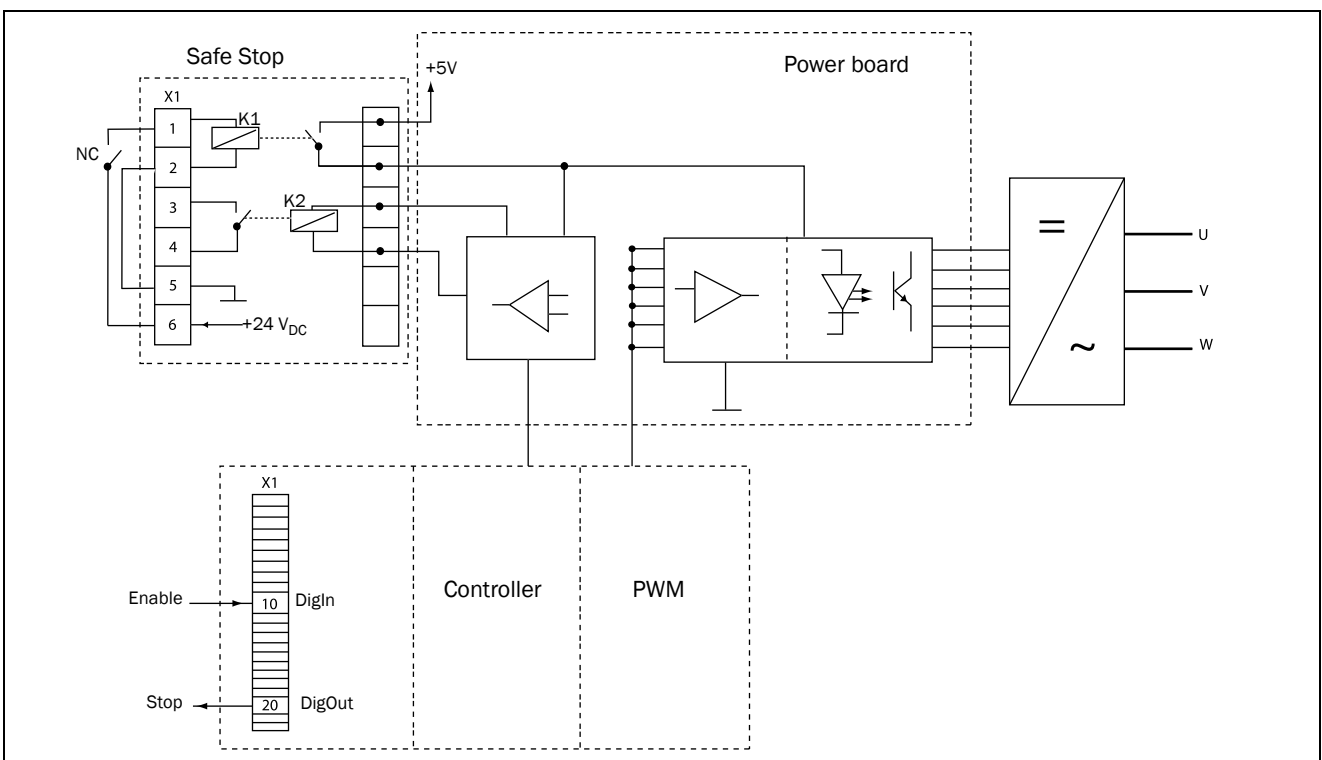


Fig. 148 Safe Stop connection

### 13.11 EMC filter class C2

EMC filter according to EN61800-3:2004 class C2 - 1st environment restricted distribution.

For sizes B, C, C2, D and D2, the filter is mounted inside the drive module.

For sizes F and up, external EMC filters are available. For more information refer to “Technical catalogue for AC drives”.

**Note:** EMC filter according to class C3 - 2nd environment included as standard in all drive units.

### 13.12 Output chokes

Output chokes, which are supplied separately, are recommended for lengths of screened motor cable longer than 100 m. Because of the fast switching of the motor voltage and the capacitance of the motor cable (both line to line and line to earth screen), large switching currents can be generated with long lengths of motor cable. Output chokes prevent the AC drive from tripping and should be installed as closely as possible to the AC drive.

See also in “Technical catalogue AC drives” for filter selection guide.

### 13.13 Liquid cooling

AC drive modules in frame sizes E - O and F69 - T69 are available in a liquid cooled version. These units are designed for connection to a liquid cooling system, normally a heat exchanger of liquid-liquid or liquid-air type. Heat exchanger is not part of the liquid cooling option.

Drive units with parallel power modules (frame size G - T69) are delivered with a dividing unit for connection of the cooling liquid. The drive units are equipped with rubber hoses with leak-proof quick couplings.

The Liquid cooling option is described in a separate manual.

### 13.14 Top cover for IP20/21 version

Part number	Description
01-5356-00	Top cover for frame size C2
01-5355-00	Top cover for frame sizes D2, E2 and F2

This Top cover can be mounted on IP20 versions of frame sizes C2, D2, E2 and F2.

By mounting the top cover, the protection class will change to IP21 in accordance with EN 60529 standard.

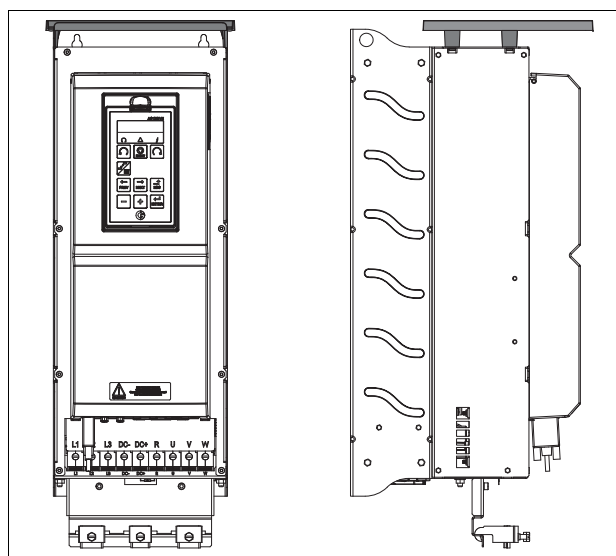


Fig. 149 Optional top cover mounted on frame size D2

### 13.15 Other options

Following options are also available, for more information regarding these options, see in “Technical catalogue AC drives”.

Overshoot clamp

Sine wave filter

Common mode filter

Brake resistors

### 13.16 AFE - Active Front End

Emotron AC Drives from CG Drives & Automation are also available as Low harmonic drives and Regenerative drives. You will find more information on [www.emotron.com](http://www.emotron.com) / [www.cgglobal.com](http://www.cgglobal.com).



## 14. Technical Data

### 14.1 Electrical specifications related to model

Emotron FDU 2.0 - IP54 version (Model 48-300 and up also available as IP20)

Table 38 Typical motor power at mains voltage 400 V

Model	Max. output current [A]*	Normal duty (120%, 1 min every 10 min)		Heavy duty (150%, 1 min every 10 min)		Frame size (Number of PEBB's)	IP class	
		Power @400V [kW]	Rated current [A]	Power @400V [kW]	Rated current [A]			
FDU48-003	3.0	0.75	2.5	0.55	2.0	B	IP 54 wall mounted	
FDU48-004	4.8	1.5	4.0	1.1	3.2			
FDU48-006	7.2	2.2	6.0	1.5	4.8			
FDU48-008	9.0	3	7.5	2.2	6.0			
FDU48-010	11.4	4	9.5	3	7.6			
FDU48-013	15.6	5.5	13.0	4	10.4			
FDU48-018	21.6	7.5	18.0	5.5	14.4			
FDU48-026	31	11	26	7.5	21	C		
FDU48-031	37	15	31	11	25			
FDU48-037	44	18.5	37	15	29.6			
FDU48-046	55	22	46	18.5	37			
FDU48-061	73	30	61	22	49	D		
FDU48-074	89	37	74	30	59	E		
FDU48-090	108	45	90	37	72			
FDU48-109	131	55	109	45	87			
FDU48-146	175	75	146	55	117			
FDU48-175	210	90	175	75	140			
FDU48-210	252	110	210	90	168	F		
FDU48-228	300	110	228	90	182			
FDU48-250	300	132	250	110	200			
FDU48-300	360	160	300	132	240	G(2)		IP 20 module or IP54 cabinet
FDU48-375	450	200	375	160	300	H(2)		
FDU48-430	516	220	430	200	344			
FDU48-500	600	250	500	220	400	I(3)		
FDU48-600	720	315	600	250	480			
FDU48-650	780	355	650	315	520			
FDU48-750	900	400	750	355	600	J(4)		
FDU48-860	1032	450	860	400	688			
FDU48-1K0	1200	560	1000	450	800	KA(5)		
FDU48-1K15	1380	630	1150	500	920			
FDU48-1K25	1500	710	1250	560	1000	K(6)		
FDU48-1K35	1620	710	1350	600	1080			
FDU48-1K5	1800	800	1500	630	1200	L(7)		
FDU48-1K75	2100	900	1750	800	1400			
FDU48-2K0	2400	1120	2000	900	1600	M(8)		
FDU48-2K25	2700	1250	2250	1000	1800	N(9)		
FDU48-2K5	3000	1400	2500	1120	2000	O(10)		
Larger sizes available on request								

\* Available during limited time and as long as allowed by drive temperature.

Table 39 Typical motor power at mains voltage 460 V

Model	Max. output current [A]*	Normal duty (120%, 1 min every 10 min)		Heavy duty (150%, 1 min every 10 min)		Frame size (Number of PEBB's)	IP class
		Power @460V [hp]	Rated current [A]	Power @460V [hp]	Rated current [A]		
FDU48-003	3.0	1	2.5	1	2.0	B	IP 54 wall mounted
FDU48-004	4.8	2	4.0	1.5	3.2		
FDU48-006	7.2	3	6.0	2	4.8		
FDU48-008	9.0	3	7.5	3	6.0		
FDU48-010	11.4	5	9.5	3	7.6		
FDU48-013	15.6	7.5	13.0	5	10.4		
FDU48-018	21.6	10	18.0	7.5	14.4		
FDU48-026	31	15	26	10	21	C	
FDU48-031	37	20	31	15	25		
FDU48-037	44	25	37	20	29.6		
FDU48-046	55	30	46	25	37		
FDU48-061	73	40	61	30	49	D	
FDU48-074	89	50	74	40	59	E	
FDU48-090	108	60	90	50	72		
FDU48-109	131	75	109	60	87		
FDU48-146	175	100	146	75	117		
FDU48-175	210	125	175	100	140		
FDU48-210	252	150	210	125	168	F	
FDU48-228	300	200	228	150	182		
FDU48-250	300	200	250	150	200		
FDU48-300	360	250	300	200	240	G(2)	
FDU48-375	450	300	375	250	300	H(2)	
FDU48-430	516	350	430	250	344		
FDU48-500	600	400	500	350	400	I(3)	
FDU48-600	720	500	600	400	480		
FDU48-650	780	550	650	400	520		
FDU48-750	900	600	750	500	600	J(4)	
FDU48-860	1032	700	860	550	688		
FDU48-1K0	1200	800	1000	650	800	KA(5)	
FDU48-1K15	1380	900	1150	750	920		
FDU48-1K25	1500	1000	1250	800	1000	K(6)	
FDU48-1K35	1620	1100	1350	900	1080		
FDU48-1K5	1800	1250	1500	1000	1200	L(7)	
FDU48-1K75	2100	1500	1750	1200	1400		
FDU48-2K0	2400	1700	2000	1300	1600	M(8)	
FDU48-2K25	2700	1900	2250	1500	1800	N(9)	
FDU48-2K5	3000	2100	2500	1700	2000	O(10)	
Larger sizes available on request							

\* Available during limited time and as long as allowed by drive temperature.



Emotron FDU 2.0 - IP54 version (Model 69-250 and up also available as IP20)

Table 40 Typical motor power at mains voltage 525 V

Model	Max. output current [A]*	Normal duty (120%, 1 min every 10 min)		Heavy duty (150%, 1 min every 10 min)		Frame size (Number of PEBB's)	IP class	
		Power @525V [kW]	Rated current [A]	Power @525V [kW]	Rated current [A]			
FDU52-003	3.0	1.1	2.5	1.1	2.0	B	IP 54 wall mounted	
FDU52-004	4.8	2.2	4.0	1.5	3.2			
FDU52-006	7.2	3	6.0	2.2	4.8			
FDU52-008	9.0	4	7.5	3	6.0			
FDU52-010	11.4	5.5	9.5	4	7.6			
FDU52-013	15.6	7.5	13.0	5.5	10.4			
FDU52-018	21.6	11	18.0	7.5	14.4			
FDU52-026	31	15	26	11	21	C		
FDU52-031	37	18.5	31	15	25			
FDU52-037	44	22	37	18.5	29.6			
FDU52-046	55	30	46	22	37			
FDU52-061	73	37	61	30	49	D		
FDU52-074	89	45	74	37	59			
FDU69-090	108	55	90	45	72	F69		IP 20 module or IP54 cabinet
FDU69-109	131	75	109	55	87			
FDU69-146	175	90	146	75	117			
FDU69-175	210	110	175	90	140			
FDU69-200	240	132	200	110	160			
FDU69-250	300	160	250	132	200			
FDU69-300	360	200	300	160	240	H69 (2)		
FDU69-375	450	250	375	200	300			
FDU69-400	480	250	400	220	320			
FDU69-430	516	300	430	250	344	I69 (3)		
FDU69-500	600	315	500	300	400			
FDU69-595	720	400	600	315	480			
FDU69-650	780	450	650	355	520	J69 (4)		
FDU69-720	864	500	720	400	576			
FDU69-800	960	560	800	450	640			
FDU69-995	1200	630	1000	500	800			
FDU69-1K2	1440	800	1200	630	960	KA69 (5)		
FDU69-1K4	1680	1000	1400	800	1120	K69 (6)		
FDU69-1K6	1920	1100	1600	900	1280	L69 (7)		
FDU69-1K8	2160	1300	1800	1000	1440	M69 (8)		
FDU69-2K0	2400	1400	2000	1100	1600	N69 (9)		
FDU69-2K2	2640	1600	2200	1200	1760	O69 (10)		
FDU69-2K4	2880	1700	2400	1400	1920	P69 (11)		
FDU69-2K6	3120	1900	2600	1500	2080	Q69 (12)		
FDU69-2K8	3360	2000	2800	1600	2240	R69 (13)		
FDU69-3K0	3600	2200	3000	1700	2400	S69 (14)		
						T69 (15)		

\* Available during limited time and as long as allowed by drive temperature.

)

Table 41 Typical motor power at mains voltage 575 V

Model	Max. output current [A]*	Normal duty (120%, 1 min every 10 min)		Heavy duty (150%, 1 min every 10 min)		Frame size (Number of PEBB's)	IP class
		Power @575V [hp]	Rated current [A]	Power @575V [hp]	Rated current [A]		
FDU69-090	108	75	90	60	72	F69	IP 54 wall mounted
FDU69-109	131	100	109	75	87		
FDU69-146	175	125	146	100	117		
FDU69-175	210	150	175	125	140		
FDU69-200	240	200	200	150	160		
FDU69-250	300	250	250	200	200	H69 (2)	IP 20 module or IP54 cabinet
FDU69-300	360	300	300	250	240		
FDU69-375	450	350	375	300	300		
FDU69-400	480	400	400	300	320	I69 (3)	
FDU69-430	516	400	430	350	344		
FDU69-500	600	500	500	400	400		
FDU69-595	720	600	600	500	480	J69 (4)	
FDU69-650	780	650	650	550	520		
FDU69-720	864	750	720	600	576		
FDU69-800	960	850	800	650	640	KA69 (5)	
FDU69-905	1080	950	900	750	720		
FDU69-995	1200	1000	1000	850	800	K69 (6)	
FDU69-1K2	1440	1200	1200	1000	960	L69 (7)	
FDU69-1K4	1680	1500	1400	1200	1120	M69 (8)	
FDU69-1K6	1920	1700	1600	1300	1280	N69 (9)	
FDU69-1K8	2160	1900	1800	1500	1440	O69 (10)	
FDU69-2K0	2400	2100	2000	1700	1600	P69 (11)	
FDU69-2K2	2640	2300	2200	1800	1760	Q69 (12)	
FDU69-2K4	2880	2500	2400	2000	1920	R69 (13)	
FDU69-2K6	3120	2700	2600	2200	2080	S69 (14)	
FDU69-2K8	3360	3000	2800	2400	2240	T69 (15)	
FDU69-3K0	3600	3200	3000	2500	2400		

\* Available during limited time and as long as allowed by drive temperature.

Table 42 Typical motor power at mains voltage 690 V

Model	Max. output current [A]*	Normal duty (120%, 1 min every 10 min)		Heavy duty (150%, 1 min every 10 min)		Frame size (Number of PEBB's)	IP class
		Power @690V [kW]	Rated current [A]	Power @690V [kW]	Rated current [A]		
FDU69-090	108	90	90	75	72	F69	IP 54 wall mounted
FDU69-109	131	110	109	90	87		
FDU69-146	175	132	146	110	117		
FDU69-175	210	160	175	132	140		
FDU69-200	240	200	200	160	160		
FDU69-250	300	250	250	200	200	H69 (2)	IP 20 module or IP54 cabinet
FDU69-300	360	315	300	250	240		
FDU69-375	450	355	375	315	300		
FDU69-400	480	400	400	315	320		
FDU69-430	516	450	430	315	344	I69 (3)	
FDU69-500	600	500	500	355	400		
FDU69-595	720	600	600	450	480		
FDU69-650	780	630	650	500	520	J69 (4)	
FDU69-720	864	710	720	560	576		
FDU69-800	960	800	800	630	640		
FDU69-905	1080	900	900	710	720	KA69 (5)	
FDU69-995	1200	1000	1000	800	800		
FDU69-1K2	1440	1200	1200	900	960	K69 (6)	
FDU69-1K4	1680	1400	1400	1120	1120	L69 (7)	
FDU69-1K6	1920	1600	1600	1250	1280	M69 (8)	
FDU69-1K8	2160	1800	1800	1400	1440	N69 (9)	
FDU69-2K0	2400	2000	2000	1600	1600	O69 (10)	
FDU69-2K2	2640	2200	2200	1700	1760	P69 (11)	
FDU69-2K4	2880	2400	2400	1900	1920	Q69 (12)	
FDU69-2K6	3120	2600	2600	2000	2080	R69 (13)	
FDU69-2K8	3360	2800	2800	2200	2240	S69 (14)	
FDU69-3K0	3600	3000	3000	2400	2400	T69 (15)	

\* Available during limited time and as long as allowed by drive temperature.

## Emotron FDU 2.0 - IP20/21 version

Table 43 Typical motor power at mains voltage 400 V

Model	Max. output current [A]*	Normal duty (120%, 1 min every 10 min)		Heavy duty (150%, 1 min every 10 min)		Frame size
		Power @400V [kW]	Rated current [A]	Power @400V [kW]	Rated current [A]	
FDU48-025	30	11	25	7.5	20	C2
FDU48-030	36	15	30	11	24	
FDU48-036	43	18.5	36	15	29	
FDU48-045	54	22	45	18.5	36	
FDU48-060	72	30	60	22	48	D2
FDU48-072	86	37	72	30	58	
FDU48-088	106	45	88	37	70	
FDU48-106	127	55	106	45	85	E2
FDU48-142	170	75	142	55	114	
FDU48-171	205	90	171	75	137	
FDU48-205	246	110	205	90	164	F2
FDU48-244	293	132	244	110	195	

Table 44 Typical motor power at mains voltage 460 V

Model	Max. output current [A]*	Normal duty (120%, 1 min every 10 min)		Heavy duty (150%, 1 min every 10 min)		Frame size
		Power @460V [hp]	Rated current [A]	Power @460V [hp]	Rated current [A]	
FDU48-025	30	15	25	10	20	C2
FDU48-030	36	20	30	15	24	
FDU48-036	43	25	36	20	29	
FDU48-045	54	30	45	25	36	
FDU48-060	72	40	60	30	48	D2
FDU48-072	86	50	72	40	58	
FDU48-088	106	60	88	50	70	
FDU48-106	127	75	106	60	85	E2
FDU48-142	170	100	142	75	114	
FDU48-171	205	125	171	100	137	
FDU48-205	246	150	205	125	164	F2
FDU48-244	293	200	244	150	195	

## 14.2 General electrical specifications

Table 45 General electrical specifications

General	
Mains voltage: FDU48 FDU52 FDU69	230-480V +10%/-15% (-10% at 230 V) 440-525 V +10 %/-15 % 500-690V +10%/-15%
Mains frequency:	45 to 65 Hz
Input power factor:	0.95
Output voltage:	0-Mains supply voltage:
Output frequency:	0-400 Hz
Output switching frequency:	3 kHz (adjustable 1,5-6 kHz)
Efficiency at nominal load:	97% for models 003 to 018 98% for models 026 to 3K0
Control signal inputs: Analogue (differential)	
Analogue Voltage/current: Max. input voltage: Input impedance:	0-±10 V/0-20 mA via switch +30 V/30 mA 20 kΩ (voltage) 250 Ω (current)
Resolution: Hardware accuracy: Non-linearity	11 bits + sign 1% type + 1 ½ LSB fsd 1½ LSB
Digital:	
Input voltage: Max. input voltage: Input impedance:	High: >9 VDC, Low: <4 VDC +30 VDC <3.3 VDC: 4.7 kΩ ≥3.3 VDC: 3.6 kΩ
Signal delay:	≤8 ms
Control signal outputs Analogue	
Output voltage/current: Max. output voltage: Short-circuit current (∞): Output impedance:	0-10 V/0-20 mA via software setting +15 V @5 mA cont. +15 mA (voltage), +140 mA (current) 10 Ω (voltage)
Resolution: Maximum load impedance for current Hardware accuracy: Offset: Non-linearity:	10 bit 500 Ω 1.9% type fsd (voltage), 2.4% type fsd (current) 3 LSB 2 LSB
Digital	
Output voltage: Shortcircuit current(∞):	High: >20 VDC @50 mA, >23 VDC open Low: <1 VDC @50 mA 100 mA max (together with +24 VDC)
Relays	
Contacts	0.1 – 2 A/U <sub>max</sub> 250 VAC or 42 VDC
References	
+10VDC -10VDC +24VDC	+10 V <sub>DC</sub> @10 mA Short-circuit current +30 mA max -10 V <sub>DC</sub> @10 mA +24 V <sub>DC</sub> Short-circuit current +100 mA max (together with Digital Outputs)

## 14.3 Operation at higher temperatures

Most Emotron AC drives are made for operation at maximum of 40°C ambient temperature. However, for most models, it is possible to use the AC drive at higher temperatures with reduced output rating. Table 46 shows ambient temperatures as well as derating for higher temperatures.

Table 46 Ambient temperature and derating 400–690 V types

Model	Frame size	IP20		IP54	
		Max temp.	Derating: possible	Max temp.	Derating: possible
FDU##-003 to FDU##-074	B - D	-	-	40 °C	-2.5%/°C to max +10 °C (45 °C)
FDU48-090 to FDU48-250	E - F	-	-	40 °C	-2.5%/°C to max +5 °C (45 °C)
FDU69-090 to FDU69-200	F69	-	-	40 °C	-2.5%/°C to max +5 °C (45 °C)
FDU48-300 to FDU48-2K5	G - O	40 °C	-2.5%/°C to max +5 °C (45 °C)	40 °C	-2.5%/°C to max +5 °C (45 °C)
FDU69-250 to FDU69-3K0	H69 - T69	40 °C	-2.5%/°C to max +5 °C (45 °C)	40 °C	-2.5%/°C to max +5 °C (45 °C)
FDU48-025 to FDU48-244	C2 - F2	40 °C	-1%/°C to max +15 °C (55 °C)		

### Example

In this example we have a motor with the following data that we want to run at the ambient temperature of 45°C:

Voltage 400 V  
 Current 68 A  
 Power 37 kW

#### Select AC drive

The ambient temperature is 5 °C higher than the maximum ambient temperature. The following calculation is made to select the correct AC drive model.

Derating is possible with loss in performance of 2.5%/°C.

Derating will be:  $5 \times 2.5\% = 12.5\%$

Calculation for model FDU48-074

$74 \text{ A} - (12.5\% \times 74) = 64.8 \text{ A}$ ; this is not enough.

Calculation for model FDU48-090

$90 \text{ A} - (12.5\% \times 90) = 78.8 \text{ A}$

In this example we select the FDU48-090.

## 14.4 Operation at higher switching frequency

Table 47 shows the switching frequency for the different AC drive models. With the possibility of running at higher switching frequency you can reduce the noise level from the motor. The switching frequency is set in menu [22A], Motor sound, see section section 11.2.3, page 87. At switching frequencies >3 kHz derating might be needed.

Table 47 *Switching frequency*

<b>Models</b>	<b>Standard Switching frequency</b>	<b>Range</b>
FDU##-003 to FDU##-3K0	3 kHz	1.5-6 kHz

## 14.5 Dimensions and Weights

The table below gives an overview of the dimensions and weights. The models 003 to 250 are available in IP54 as wall mounted modules.

The models 300 to 3K0 consist of 2, 3, 4 .... 15 paralleled power electronic building block (PEBB) available in IP20 as wall mounted modules and in IP54 mounted standard cabinet.

Protection class IP54 is according to the EN 60529 standard.

Table 48 Mechanical specifications, FDU48, FDU52

Models	Frame size	Dim. H x W x D [mm] IP20	Dim. H x W x D [mm] IP54	Weight IP20 [kg]	Weight IP54 [kg]
003 to 018	B	-	350(416)x 203 x 200	-	12.5
026 to 046	C	-	440(512)x178x292	-	24
061 to 074	D	-	545(590) x 220 x 295	-	32
90 to 109	E	-	950 x 285 x 314	-	56
146 to 175	E	-	950 x 285 x 314	-	60
210 to 250	F	-	950 x 345 x 314	-	74
300 to 375	G (2xE)	1036 x 500 x 390	2250 x 600 x 600	140	350
430 to 500	H (2xF)	1036 x 500 x 450	2250 x 600 x 600	170	380
600 to 750	I (3xF)	1036 x 730 x 450	2250x 900 x 600	248	506
860 to 1K0	J (2xH)	1036 x 1100 x 450	2250 x 1200 x 600	340	697
1K15 to 1K25	KA (H+I)	1036 x 1365 x 450	2250 x 1500 x 600	418	838
1K35 to 1K5	K (2xI)	1036 x 1630 x 450	2250 x 1800 x 600	496	987
1K75	L (2xH+I)	1036 x 2000 x 450	2250 x 2100 x 600	588	1190
2K0	M(H+2xI)	1036 x 2230 x 450	2250 x 2400 x 600	666	1323
2K25	N (3xI)	1036 x 2530 x 450	2250 x 2700 x 600	744	1518
2K5	O (2xH+2xI)	1036 x 2830 x 450	2250 x 3000 x 600	836	1772

Table 49 Mechanical specifications, FDU69

Models	Frame size	Dim. H x W x D [mm] IP20	Dim. H x W x D [mm] IP54	Weight IP20 [kg]	Weight IP54 [kg]
90 to 200	F69	-	1090 x 345 x 314	-	77
250 to 375	H69 (2xF69)	1176 x 500 x 450	2250 x 600 x 600	176	399
430 to 595	I69 (3xF69)	1176 x 730 x 450	2250 x 900 x 600	257	563
650 to 800	J69 (2xH69)	1176 x 1100 x 450	2250 x 1200 x 600	352	773
905 to 995	KA69 (H69+I69)	1176 x 1365 x 450	2250 x 1500 x 600	433	937
750 to 1K2	K69 (2xI69)	1176 x 1630 x 450	2250 x 1800 x 600	514	1100
1K4	L69 (2xH69+I69)	1176 x 2000 x 450	2250 x 2100 x 600	609	1311
1K6	M69 (H69+2xI69)	1176 x 2230 x 450	2250 x 2400 x 600	690	1481
1K8	N69 (3xI69)	1176 x 2530 x 450	2250 x 2700 x 600	771	1651
2K0	O69 (2xH69+2xI69)	1176 x 2830 x 450	2250 x 3000 x 600	866	1849
2K2	P69 (H69+3xI69)	1176 x 3130 x 450	2250 x 3300 x 600	947	2050
2K4	Q69 (4xI69)	1176 x 3430 x 450	2250 x 3600 x 600	1028	2214
2K6	R69 (2xH69+3xI69)	1176 x 3730 x 450	2250 x 3900 x 600	1123	2423
2K8	S69 (H69+4xI69)	1176 x 4030 x 450	2250 x 4200 x 600	1204	2613
3K0	T69 (5xI69)	1176 x 4330 x 450	2250 x 4500 x 600	1285	2777



## Dimensions and weights for models Emotron 48 - IP20/21 version

The table below gives an overview of the dimensions and weights of the Emotron FDU IP20/21 version.

These AC drives are available as wall mounted modules;

The IP20 version is optimised for cabinet mounting.

With the optional top cover, protection class is in compliance with IP21, making it suitable for mounting directly on the electrical room wall.

The protection classes IP20 and IP21 are defined according to the EN 60529 standard.

*Table 50 Mechanical specifications, FDU48 - IP20 and IP21 version*

<b>Models</b>	<b>Frame size</b>	<b>Dim. H1/H2 x W x D [mm] IP20</b>	<b>Dim. H1/H2 x W x D [mm] IP21*</b>	<b>Weight [kg] IP20/21</b>
025 to 045	C2	438 / 536 x 176 x 267	438 / 559 x 196 x 282	17
060 to 088	D2	545 / 658 x 220 x 291	545 / 670 x 240 x 307	30
106 to 171	E2	956 / 956 x 275 x 294	956 / 956 x 275 x 323	53
205 to 244	F2	956 / 956 x 335 x 294	956 / 956 x 335 x 323	68

H1 = Enclosure height.

H2 = Total height including cable interface.

\* with optional top cover

## 14.6 Environmental conditions

Table 51 Operation

Parameter	Normal operation
Nominal ambient temperature	0°C–40°C See table, see Table 46 for different conditions
Atmospheric pressure	86–106 kPa
Relative humidity, non-condensing	0–90%
Contamination, according to IEC 60721-3-3	No electrically conductive dust allowed. Cooling air must be clean and free from corrosive materials. Chemical gases, class 3C2. Solid particles, class 3S2.
Vibrations	According to IEC 600068-2-6, Sinusoidal vibrations: 10<f<57 Hz, 0.075 mm 57<f<150 Hz, 1g
Altitude	0–1000 m 480V AC drives, with derating 1%/100 m of rated current up to 4000 m 690V AC drives, with derating 1%/100 m of rated current up to 2000 m Coated boards required for 2000 - 4000 m

Table 52 Storage

Parameter	Storage condition
Temperature	-20 to +60 °C
Atmospheric pressure	86–106 kPa
Relative humidity, non-condensing	0–90%

## 14.7 Fuses and glands

### 14.7.1 According to IEC ratings

Use mains fuses of the type gL/gG conforming to IEC 269 or breakers with similar characteristics. Check the equipment first before installing the glands.

Max. Fuse = maximum fuse value that still protects the AC drive and upholds warranty.

**NOTE: The dimensions of fuse and cable cross-section are dependent on the application and must be determined in accordance with local regulations.**

**NOTE: The dimensions of the power terminals used in the cabinet drive models 300 to 3K0 can differ depending on customer specification.**

Table 53 Fuses, cable cross-sections and glands

Model	Nominal input current [A]	Maximum value fuse [A]	Cable glands(clamping range [mm]) *	
			mains / motor	Brake
FDU##-003 FDU##-004 FDU##-006	2.2 3.5 5.2	4 4 6	M32 opening M20 + reducer (6-12)	M25 opening M20 + reducer (6-12)
FDU##-008 FDU##-010	6.9 8.7	10 10	M32 (12-20)/M32 opening M25+reducer (10-14)	M25 (10-14)
FDU##-013 FDU##-018	11.3 15.6	16 20	M32 (16-25)/M32 (13-18)	
FDU##-025	22	25	- (12 - 16)	
FDU##-026			M32 (15-21)	M25
FDU##-030	26	35	- (16 - 20)	- (16 - 20)
FDU##-031			M32 (15-21)	M25
FDU##-036	31	35	- (20 - 24)	- (20 - 24)
FDU##-037			M40 (19-28)	M32
FDU##-045	38	50	- (24 - 28)	- (24 - 28)
FDU##-046			M40 (19-28)	M32
FDU##-060	52	63	- (24 - 28)	- (20 - 24)
FDU##-061			M50 (27 - 35)	M40 (19 - 28)
FDU##-072	64	80	- (28 - 32)	- (24 - 28)
FDU##-074	65		M50 (27 - 35)	M40 (19 - 28)
FDU##-088	78	100	- (32 - 36)	- (28 - 32)
FDU##-090			FDU48: Ø17-42 cable flexible leadthrough or M50 opening. FDU69: Ø23-55 Cable flexible leadthrough or M63 opening.	FDU48: Ø11-32 Cable flexible leadthrough or M40 opening. FDU69: Ø17-42 Cable flexible leadthrough or M50 opening.
FDU##-106	94	100	- (32 - 36)	- (28 - 32)
FDU##-109			FDU48: Ø17-42 cable flexible leadthrough or M50 opening. FDU69: Ø23-55 Cable flexible leadthrough or M63 opening.	FDU48: Ø11-32 Cable flexible leadthrough or M40 opening. FDU69: Ø17-42 Cable flexible leadthrough or M50 opening.
FDU##-142	126	160	- (40 - 44)	- (36 - 40)
FDU##-146			FDU48: Ø17-42 cable flexible leadthrough or M50 opening. FDU69: Ø23-55 Cable flexible leadthrough or M63 opening.	FDU48: Ø11-32 Cable flexible leadthrough or M40 opening. FDU69: Ø17-42 Cable flexible leadthrough or M50 opening.

Table 53 Fuses, cable cross-sections and glands

Model	Nominal input current [A]	Maximum value fuse [A]	Cable glands(clamping range [mm]) *	
			mains / motor	Brake
FDU##-171			- (40 - 44)	- (36 - 40)
FDU##-175	152	160	FDU48: Ø17-42 cable flexible leadthrough or M50 opening. FDU69: Ø23-55 Cable flexible leadthrough or M63 opening.	FDU48: Ø11-32 Cable flexible leadthrough or M40 opening. FDU69: Ø17-42 Cable flexible leadthrough or M50 opening.
FDU##-205	182	200	- (48 - 52 / 52 - 56)	- (44 - 48)
FDU##-210			Ø23 - 55 cable flexible leadthrough or M63 opening.	Ø17- 42 cable flexible leadthrough or M50 opening.
FDU##-228	216	250	- (48 - 52 / 52 - 56)	- (44 - 48)
FDU##-244			Ø23 - 55 cable flexible leadthrough or M63 opening.	Ø23 - 55 cable flexible leadthrough or M63 opening.
FDU##-250				
FDU##-300	260	300	--	--
FDU##-375	324	355		
FDU##-430	372	400	--	--
FDU##-500	432	500		
FDU##-600	520	630	--	--
FDU##-650	562	630		
FDU##- 720, 750	648	710	--	--
FDU##-860	744	800		
FDU##-900	795	900	--	--
FDU##-1K0	864	1000		
FDU##-1K2	1037	1250	--	--
FDU##-1K5	1296	1500		

Note: For IP54 models 003 to 074 cable glands are optional.

\* IP20/21 models are equipped with cable clamps instead of glands.

For data on cable connection ranges, see section 3.4.3, page 32

## 14.7.2 Fuses according to NEMA ratings

Table 54 Types and fuses

Model	Input current [Arms]	Mains input fuses	
		UL Class J TD (A)	Ferraz-Shawmut type
FDU48-003	2,2	6	AJT6
FDU48-004	3,5	6	AJT6
FDU48-006	5,2	6	AJT6
FDU48-008	6,9	10	AJT10
FDU48-010	8,7	10	AJT10
FDU48-013	11,3	15	AJT15
FDU48-018	15,6	20	AJT20
FDU48-026	22	25	AJT25
FDU48-031	26	30	AJT30
FDU48-037	31	35	AJT35
FDU48-046	38	45	AJT45
FDU48-061	52	60	AJT60
FDU48-074	65	80	AJT80
FDU48-090	78	100	AJT100
FDU48-109	94	110	AJT110
FDU48-146	126	150	AJT150
FDU48-175	152	175	AJT175
FDU48-210	182	200	AJT200
FDU48-228	216	250	AJT250
FDU48-250	216	250	AJT250
FDU48-300	260	300	AJT300
FDU48-375	324	350	AJT350
FDU48-430	372	400	AJT400
FDU48-500	432	500	AJT500
FDU48-600	520	600	AJT600
FDU48-650	562	600	AJT600
FDU48-750	648	700	A4BQ700
FDU48-860	744	800	A4BQ800
FDU48-1K0	864	1000	A4BQ1000
FDU48-1K25	1037	1200	A4BQ1200
FDU48-1K5	1296	1500	A4BQ1500

## 14.8 Control signals

Table 55

Terminal X1	Name:	Function (Default):	Signal:	Type:
1	+10 V	+10 VDC Supply voltage	+10 VDC, max 10 mA	output
2	AnIn1	Process reference	0 -10 VDC or 0/4-20 mA bipolar: -10 - +10 VDC or -20 - +20 mA	analogue input
3	AnIn2	Off	0 -10 VDC or 0/4-20 mA bipolar: -10 - +10 VDC or -20 - +20 mA	analogue input
4	AnIn3	Off	0 -10 VDC or 0/4-20 mA bipolar: -10 - +10 VDC or -20 - +20 mA	analogue input
5	AnIn4	Off	0 -10 VDC or 0/4-20 mA bipolar: -10 - +10 VDC or -20 - +20 mA	analogue input
6	-10 V	-10VDC Supply voltage	-10 VDC, max 10 mA	output
7	Common	Signal ground	0V	output
8	DigIn 1	RunL	0-8/24 VDC	digital input
9	DigIn 2	RunR	0-8/24 VDC	digital input
10	DigIn 3	Off	0-8/24 VDC	digital input
11	+24 V	+24VDC Supply voltage	+24 VDC, 100 mA	output
12	Common	Signal ground	0 V	output
13	AnOut 1	Min speed to max speed	0 ±10 VDC or 0/4- +20 mA	analogue output
14	AnOut 2	0 to max torque	0 ±10 VDC or 0/4- +20 mA	analogue output
15	Common	Signal ground	0 V	output
16	DigIn 4	Off	0-8/24 VDC	digital input
17	DigIn 5	Off	0-8/24 VDC	digital input
18	DigIn 6	Off	0-8/24 VDC	digital input
19	DigIn 7	Off	0-8/24 VDC	digital input
20	DigOut 1	Ready	24 VDC, 100 mA	digital output
21	DigOut 2	No trip	24 VDC, 100 mA	digital output
22	DigIn 8	RESET	0-8/24 VDC	digital input
<b>Terminal X2</b>				
31	N/C 1	Relay 1 output Trip, active when the AC drive is in a TRIP condition N/C is opened when the relay is active (valid for all relays) N/O is closed when the relay is active (valid for all relays)	potential free change over 0.1 - 2 A/U <sub>max</sub> 250 VAC or 42 VDC	relay output
32	COM 1			
33	N/O 1			
41	N/C 2	Relay 2 Output Run, active when the AC drive is started	potential free change over 0.1 - 2 A/U <sub>max</sub> 250 VAC or 42 VDC	relay output
42	COM 2			
43	N/O 2			
<b>Terminal X3</b>				
51	COM 3	Relay 3 Output Off	potential free change over 0.1 - 2 A/U <sub>max</sub> 250 VAC or 42 VDC	relay output
52	N/O 3			

**NOTE: Possible potentiometer value in range of 1 kΩ to 10 kΩ (¼ Watt) linear, where we advice to use a linear 1 kΩ / ¼ W type potentiometer for best control linearity.**

# 15. Menu List

On our home page in the download area, you could find a "Communication information" list and a list to note Parameter set information .

		Factory setting	Customer	Page
100	Preferred View			81
110	1st Line	Process Val		
120	2nd Line	Current		
200	Main Setup			
210	Operation			82
211	Language	English		
212	Select Motor	M1		
213	Drive Mode	V/Hz		
214	Ref Control	Remote		
215	Run/Stp Ctrl	Remote		
216	Reset Ctrl	Remote		
217	Local/Rem			
2171	LocRefCtrl	Standard		
2172	LocRunCtrl	Standard		
218	Lock Code?	0		
219	Rotation	R+L		
21A	Level/Edge	Level		
21B	Supply Volts	Not Defined		
220	Motor Data			87
221	Motor Volts	$U_{NOM}$ V		
222	Motor Freq	50Hz		
223	Motor Power	$(P_{NOM})$ W		
224	Motor Curr	$(I_{MOT})$ A		
225	Motor Speed	$(n_{MOT})$ rpm		
226	Motor Poles	4		
227	Motor Cosφ	$cosφ_{NOM}$		
228	Motor Vent	Self		
229	Motor ID-Run	Off		
22A	Motor Sound	F		
22B	Encoder	Off		
22C	Enc Pulses	1024		
22D	Enc Speed	0rpm		
22E	Motor PWM			
22E1	PWM Fswitch	3.00 kHz		
22E2	PWM Mode	Standard		
22E3	PWM Random	Off		
22F	Enc Puls Ctr	0		
22G	Enc Fault			
22G1	Enc F Delay	Off		
22G2	Enc F Band	10%		
22G3	Max EncFCtr	0.000s		
230	Mot Protect			93
231	Mot I <sup>2</sup> t Type	Trip		
232	Mot I <sup>2</sup> t Curr	100%		
233	Mot I <sup>2</sup> t Time	60s		
234	Thermal Prot	Off		
235	Motor Class	F 140°C		
236	PT100 Inputs	PT100 1+2+3		
237	Motor PTC	Off		
240	Set Handling			97
241	Select Set	A		
242	Copy Set	A>B		
243	Default>Set	A		

		Factory setting	Customer	Page
244	Copy to CP	No Copy		
245	Load from CP	No Copy		
250	Autoreset			99
251	No of Trips	0		
252	Overtemp	Off		
253	Overvolt D	Off		
254	Overvolt G	Off		
255	Overvolt	Off		
256	Motor Lost	Off		
257	Locked Rotor	Off		
258	Power Fault	Off		
259	Undervoltage	Off		
25A	Motor I <sup>2</sup> t	Off		
25B	Motor I <sup>2</sup> t TT	Trip		
25C	PT100	Off		
25D	PT100 TT	Trip		
25E	PTC	Off		
25F	PTC TT	Trip		
25G	Ext Trip	Off		
25H	Ext Trip TT	Trip		
25I	Com Error	Off		
25J	Com Error TT	Trip		
25K	Min Alarm	Off		
25L	Min Alarm TT	Trip		
25M	Max Alarm	Off		
25N	Max Alarm TT	Trip		
25O	Over curr F	Off		
25P	Pump	Off		
25Q	Over speed	Off		
25R	Ext Mot Temp	Off		
25S	Ext Mot TT	Trip		
25T	LC Level	Off		
25U	LC Level TT	Trip		
25V	Brk Fault	Off		
25W	Encoder	Off		
25X	Deviation	Off		
260	Serial Com			107
261	Com Type	RS232/485		
262	RS232/485			107
2621	Baudrate	9600		
2622	Address	1		
263	Fieldbus			108
2631	Address	62		
2632	PrData Mode	Basic		
2633	Read/Write	RW		
2634	AddPrValue	0		
264	Comm Fault			109
2641	ComFit Mode	Off		
2642	ComFit Time	0.5 s		
265	Ethernet			110
2651	IP Address	0.0.0.0		
2652	MAC Address	000000000000		
2653	Subnet Mask	0.0.0.0		
2654	Gateway	0.0.0.0		
2655	DHCP	Off		
266	FB Signal			111
2661	FB Signal 1	0		
2662	FB Signal 2	0		

		Factory setting	Customer	Page
2663	FB Signal 3	0		
2664	FB Signal 4	0		
2665	FB Signal 5	0		
2666	FB Signal 6	0		
2667	FB Signal 7	0		
2668	FB Signal 8	0		
2669	FB Signal 9	0		
266A	FB Signal 10	0		
266B	FB Signal 11	0		
266C	FB Signal 12	0		
266D	FB Signal 13	0		
266E	FB Signal 14	0		
266F	FB Signal 15	0		
266G	FB Signal 16	0		
269	FB Status			
300	Process			111
310	Set/View ref	Orpm		
320	Proc Setting			112
321	Proc Source	Speed		
322	Proc Unit	rpm		
323	User Unit	0		
324	Process Min	0		
325	Process Max	0		
326	Ratio	Linear		
327	F(Val) PrMin	Min		
328	F(Val) PrMax	Max		
330	Start/Stop			116
331	Acc Time	10.00s		
332	Dec Time	10.00s		
333	Acc MotPot	16.00s		
334	Dec MotPot	16.00s		
335	Acc>Min Spd	10.00s		
336	Dec<Min Spd	10.00s		
337	Acc Rmp	Linear		
338	Dec Rmp	Linear		
339	Start Mode	Fast		
33A	Spinstart	Off		
33B	Stop Mode	Decel		
33C	Brk Release	0.00s		
33D	Release Spd	0rpm		
33E	Brk Engage	0.00s		
33F	Brk Wait	0.00s		
33G	Vector Brake	Off		
33H	Brk Fault	1.00s		
33I	Release Torque	0%		
340	Speed			125
341	Min Speed	0rpm		
342	Stp<MinSpd	Off		
343	Max Speed	Sync Speed		
344	SkipSpd 1 Lo	0rpm		
345	SkipSpd 1 Hi	0rpm		
346	SkipSpd 2 Lo	0rpm		
347	SkipSpd 2 Hi	0rpm		
348	Jog Speed	50rpm		
350	Torques			128
351	Max Torque	120%		
352	IxR Comp	Off		
353	IxR CompUsr	0%		

		Factory setting	Customer	Page
354	Flux optim	Off		
355	Max Power	Off		
360	Preset Ref			130
361	Motor Pot	Non Volatile		
362	Preset Ref 1	0 rpm		
363	Preset Ref 2	250 rpm		
364	Preset Ref 3	500 rpm		
365	Preset Ref 4	750 rpm		
366	Preset Ref 5	1000 rpm		
367	Preset Ref 6	1250 rpm		
368	Preset Ref 7	1500 rpm		
369	Keyb Ref	Mot Pot		
380	ProcCtrlPID			131
381	PID Control	Off		
382	PID Autotune	Off		
383	PID P Gain	1.0		
384	PID I Time	1.00s		
385	PID D Time	0.00s		
386	PID<MinSpd	Off		
387	PID Act Marg	0		
388	PID Stdy Tst	Off		
389	PID Stdy Mar	0		
390	Pump/Fan Ctrl			135
391	Pump enable	Off		
392	No of Drives	2		
393	Select Drive	Sequence		
394	Change Cond	Both		
395	Change Timer	50h		
396	Drives on Ch	0		
397	Upper Band	10%		
398	Lower Band	10%		
399	Start Delay	0s		
39A	Stop Delay	0s		
39B	Upp Band Lim	0%		
39C	Low Band Lim	0%		
39D	Settle Start	0s		
39E	TransS Start	60%		
39F	Settle Stop	0s		
39G	TransS Stop	60%		
39H	Run Time 1	00:00:00		
39H1	Rst Run Tm1	No		
39I	Run Time 2	00:00:00		
39I1	Rst Run Tm2	No		
39J	Run Time 3	00:00:00		
39J1	Rst Run Tm3	No		
39K	Run Time 4	00:00:00		
39K1	Rst Run Tm4	No		
39L	Run Time05	00:00:00		
39L1	Rst Run Tm5	No		
39M	Run Time 6	00:00:00		
39M1	Rst Run Tm6	No		
39N	Pump 123456			
39P	No of Backup	0		
400	Monitor/Prot			142
410	Load Monitor			
411	Alarm Select	Off		
412	Alarm trip	Off		
413	Ramp Alarm	Off		



		Factory setting	Customer	Page
414	Start Delay	2s		
415	Load Type	Basic		
416	Max Alarm			
4161	MaxAlarmMar	15%		
4162	MaxAlarmDel	0.1s		
417	Max Pre alarm			
4171	MaxPreAlMar	10%		
4172	MaxPreAlDel	0.1s		
418	Min Pre Alarm			
4181	MinPreAlMar	10%		
4182	MinPreAlDel	0.1s		
419	Min Alarm			
4191	MinAlarmMar	15%		
4192	MinAlarmDel	0.1s		
41A	Autoset Alrm	No		
41B	Normal Load	100%		
41C	Load Curve			
41C1	Load Curve 1	100%		
41C2	Load Curve 2	100%		
41C3	Load Curve 3	100%		
41C4	Load Curve 4	100%		
41C5	Load Curve 5	100%		
41C6	Load Curve 6	100%		
41C7	Load Curve 7	100%		
41C8	Load Curve 8	100%		
41C9	Load Curve 9	100%		
420	Process Prot			146
421	Low Volt OR	On		
422	Rotor Locked	Off		
423	Motor lost	Off		
424	Overvolt Ctrl	On		
500	I/Os			148
510	An Inputs			
511	AnIn1 Fc	Process Ref		
512	AnIn1 Setup	4-20mA		
513	AnIn1 Advn			
5131	AnIn1 Min	4mA		
5132	AnIn1 Max	10.00V/ 20.00mA		
5133	AnIn1 Bipol	10.00V/ 20.00mA		
5134	AnIn1 FcMin	Min		
5135	AnIn1 ValMin	0		
5136	AnIn1 FcMax	Max		
5137	AnIn1 ValMax	0		
5138	AnIn1 Oper	Add+		
5139	AnIn1 Filt	0.1s		
513A	AnIn1 Enabl	On		
514	AnIn2 Fc	Off		153
515	AnIn2 Setup	4-20mA		
516	AnIn2 Advan			153
5161	AnIn2 Min	4mA		
5162	AnIn2 Max	20.00mA		
5163	AnIn2 Bipol	20.00mA		
5164	AnIn2 FcMin	Min		
5165	AnIn2 ValMin	0		
5166	AnIn2 FcMax	Max		
5167	AnIn2 ValMax	0		
5168	AnIn2 Oper	Add+		

		Factory setting	Customer	Page
5169	AnIn2 Filt	0.1s		
516A	AnIn2 Enabl	On		
517	AnIn3 Fc	Off		154
518	AnIn3 Setup	4-20mA		
519	AnIn3 Advan			
5191	AnIn3 Min	4mA		
5192	AnIn3 Max	20.00mA		
5193	AnIn3 Bipol	20.00mA		
5194	AnIn3 FcMin	Min		
5195	AnIn3 ValMin	0		
5196	AnIn3 FcMax	Max		
5197	AnIn3 ValMax	0		
5198	AnIn3 Oper	Add+		
5199	AnIn3 Filt	0.1s		
519A	AnIn3 Enabl	On		
51A	AnIn4 Fc	Off		154
51B	AnIn4 Setup	4-20mA		
51C	AnIn4 Advan			
51C1	AnIn4 Min	4mA		
51C2	AnIn4 Max	20.00mA		
51C3	AnIn4 Bipol	20.00mA		
51C4	AnIn4 FcMin	Min		
51C5	AnIn4 ValMin	0		
51C6	AnIn4 FcMax	Max		
51C7	AnIn4 ValMax	0		
51C8	AnIn4 Oper	Add+		
51C9	AnIn4 Filt	0.1s		
51CA	AnIn4 Enabl	On		
520	Dig Inputs			155
521	DigIn 1	RunL		
522	DigIn 2	RunR		
523	DigIn 3	Off		
524	DigIn 4	Off		
525	DigIn 5	Off		
526	DigIn 6	Off		
527	DigIn 7	Off		
528	DigIn 8	Reset		
529	B(oard)1 DigIn 1	Off		
52A	B(oard)1 DigIn 2	Off		
52B	B(oard)1 DigIn 3	Off		
52C	B(oard)2 DigIn 1	Off		
52D	B(oard)2 DigIn 2	Off		
52E	B(oard)2 DigIn 3	Off		
52F	B(oard)3 DigIn 1	Off		
52G	B(oard)3 DigIn 2	Off		
52H	B(oard)3 DigIn 3	Off		
530	An Outputs			157
531	AnOut1 Fc	Speed		
532	AnOut1 Setup	4-20mA		
533	AnOut1 Adv			
5331	AnOut 1 Min	4mA		
5332	AnOut 1 Max	20.0mA		
5333	AnOut1Bipol	-10.00-10.00 V		
5334	AnOut1 FcMin	Min		
5335	AnOut1 VIMin	0		
5336	AnOut1 FcMax	Max		
5337	AnOut1 VIMax	0		
534	AnOut2 FC	Torque		

		Factory setting	Customer	Page
535	AnOut2 Setup	4-20mA		
536	AnOut2 Advan			
5361	AnOut 2 Min	4mA		
5362	AnOut 2 Max	20.0mA		
5363	AnOut2Bipol	-10.00-10.00 V		
5364	AnOut2 FcMin	Min		
5365	AnOut2 VIMin	0		
5366	AnOut2 FcMax	Max		
5367	AnOut2 VIMax	0		
540	Dig Outputs			161
541	DigOut 1	Ready		
542	DigOut 2	No Trip		
550	Relays			163
551	Relay 1	Trip		
552	Relay 2	Run		
553	Relay 3	Off		
554	B(oard)1 Relay 1	Off		
555	B1 Relay 2	Off		
556	B1 Relay 3	Off		
557	B2 Relay 1	Off		
558	B2 Relay 2	Off		
559	B2 Relay 3	Off		
55A	B3 Relay 1	Off		
55B	B3 Relay 2	Off		
55C	B3 Relay 3	Off		
55D	Relay Adv			
55D1	Relay 1 Mode	N.O		
55D2	Relay 2 Mode	N.O		
55D3	Relay 3 Mode	N.O		
55D4	B1R1 Mode	N.O		
55D5	B1R2 Mode	N.O		
55D6	B1R3 Mode	N.O		
55D7	B2R1 Mode	N.O		
55D8	B2R2 Mode	N.O		
55D9	B2R3 Mode	N.O		
55DA	B3R1 Mode	N.O		
55DB	B3R2 Mode	N.O		
55DC	B3R3 Mode	N.O		
560	Virtual I/Os			165
561	VIO 1 Dest	Off		
562	VIO 1 Source	Off		
563	VIO 2 Dest	Off		
564	VIO 2 Source	Off		
565	VIO 3 Dest	Off		
566	VIO 3 Source	Off		
567	VIO 4 Dest	Off		
568	VIO 4 Source	Off		
569	VIO 5 Dest	Off		
56A	VIO 5 Source	Off		
56B	VIO 6 Dest	Off		
56C	VIO 6 Source	Off		
56D	VIO 7 Dest	Off		
56E	VIO 7 Source	Off		
56F	VIO 8 Dest	Off		
56G	VIO 8 Source	Off		
600	Logical&Timers			166
610	Comparators			
611	CA1 Setup			

		Factory setting	Customer	Page
6111	CA1 Value	Speed		
6112	CA1 Level HI	300rpm		
6113	CA1 Level LO	200rpm		
6114	CA1 Type	Hysteresis		
6115	CA1 Polar	Unipolar		
612	CA2 Setup			171
6121	CA2 Value	Torque		
6122	CA2 Level HI	20%		
6123	CA2 Level LO	10%		
6124	CA2 Type	Hysteresis		
6125	CA2 Polar	Unipolar		
613	CA3 Setup			173
6131	CA3 Value	Process Val		
6132	CA3 Level HI	300rpm		
6133	CA3 Level LO	200rpm		
6134	CA3 Type	Hysteresis		
6135	CA3 Polar	Unipolar		
614	CA4 Setup			174
6141	CA4 Value	Process Err		
6142	CA4 Level HI	100 rpm		
6143	CA4 Level LO	- 100 rpm		
6144	CA4 Type	Window		
6145	CA4 Polar	Bipolar		
615	CD Setup			175
6151	CD1	Run		
6152	CD2	DigIn 1		
6153	CD3	Trip		
6154	CD4	Ready		
620	Logic Output Y			176
621	Y Comp 1	CA1		
622	Y Operator 1	&		
623	Y Comp 2	!A2		
624	Y Operator 2	&		
625	Y Comp 3	CD1		
630	Logic Z			178
631	Z Comp 1	CA1		
632	Z Operator 1	&		
633	Z Comp2	!A2		
634	Z Operator 2	&		
635	Z Comp 3	CD1		
640	Timer1			179
641	Timer1 Trig	Off		
642	Timer1 Mode	Off		
643	Timer1 Delay	0:00:00		
644	Timer 1 T1	0:00:00		
645	Timer1 T2	0:00:00		
649	Timer1 Value	0:00:00		
650	Timer2			181
651	Timer2 Trig	Off		
652	Timer2 Mode	Off		
653	Timer2 Delay	0:00:00		
654	Timer 2 T1	0:00:00		
655	Timer2 T2	0:00:00		
659	Tmer2 Value	0:00:00		
660	Counters			
661	Counter 1			
6611	C1 Trig	Off		
6612	C1 Reset	Off		

		Factory setting	Customer	Page			Factory setting	Customer	Page
6613	C1 High Val	0			800	View TripLog			
6614	C1 Low Val	0			810	Trip Message (log list 1)			193
6615	C1 DecTimer	Off			811	Process Value			
6619	C1 Value	0			812	Speed			
662	Counter 2				813	Torque			
6621	C2 Trig	Off			814	Shaft Power			
6622	C2 Reset	Off			815	Electrical Power			
6623	C2 High Val	0			816	Current			
6624	C2 Low Val	0			817	Output voltage			
6625	C2 DecTimer	Off			818	Frequency			
6629	C2 Value	0			819	DC Link voltage			
700	Oper/Status			186	81A	Heatsink Tmp			
710	Operation				81B	PT100_1, 2, 3			
711	Process Val				81C	AC drive Status			
712	Speed				81D	DigIn status			
713	Torque				81E	DigOut status			
714	Shaft Power				81F	AnIn status 1 2			
715	Electrical Power				81G	AnIn status 3 4			
716	Current				81H	AnOut status 1 2			
717	Output volt				81I	IO Status B1			
718	Frequency				81J	IO Status B2			
719	DC Voltage				81K	IO Status B3			
71A	Heatsink Tmp				81L	Run Time			
71B	PT100_1_2_3				81M	Mains Time			
720	Status			188	81N	Energy			
721	AC drive Status				81O	Process reference			
722	Warning				820	Trip Message 821- 820 (log list 2)			194
723	DigIn Status				830	Trip Message 831 - 830 (log list 3)			
724	DigOut Status				840	Trip Message 841 - 840 (log list 4)			
725	AnIn Status 1-2				850	Trip Message 851 - 850 (log list 5)			
726	AnIn Status 3-4				860	Trip Message 861 - 860 (log list 6)			
727	AnOut Status 1-2				870	Trip Message 871 - 870 (log list 7)			
728	IO Status B1				880	Trip Message 881 - 880 (log list 8)			
729	IO Status B2				890	Trip Message 891 - 890 (log list 9)			
72A	IO Status B3				8A0	Reset Trip	No		195
730	Stored Val			192	900	System Data			
731	Run Time	00:00:00			920	AC drive Data			195
7311	Reset RunTm	No			921	AC drive Type			
732	Mains Time	00:00:00			922	Software			
733	Energy	kWh			923	Unit name	0		
7331	Rst Energy	No							



# Index

- A**
  - Abbreviations ..... 11
  - Acceleration ..... 116, 119
    - Acceleration ramp ..... 119
    - Acceleration time ..... 116
    - Ramp type ..... 119
  - Alarm trip ..... 142
  - Alternating MASTER .. 62, 65, 66, 135
  - Ambient temperature and derating 218
  - Analogue comparators ..... 166
  - Analogue input ..... 148
    - AnIn1 ..... 148
    - AnIn2 ..... 153, 154
    - Offset ..... 149, 158
  - Analogue Output ..... 157, 160, 226
    - AnOut 1 ..... 157, 160
    - Output configuration ..... 158, 161
  - AND operator ..... 176
  - AnIn2 ..... 153
  - AnIn3 ..... 154
  - AnIn4 ..... 155
  - Autoreset ..... 2, 57, 99, 198
- B**
  - Baudrate ..... 75, 108, 109
  - Brake chopper ..... 204
  - Brake function ..... 121, 122
    - Bake release time ..... 121
    - Brake ..... 122
    - Brake Engage Time ..... 122
    - Brake wait time ..... 123
    - Release speed ..... 122
    - Vector Brake ..... 123
  - Brake functions
    - Frequency ..... 148
  - Brake resistors ..... 204
- C**
  - Cable specifications ..... 31
  - Cascade controller ..... 61
  - CE-marking ..... 10
  - Change Condition ..... 136
  - Change Timer ..... 136
  - Checklist ..... 66
  - Clockwise rotary field ..... 155
  - Com Type ..... 107
  - Comparators ..... 166
  - Connecting control signals ..... 43
  - Connections
    - Brake chopper connections ..... 26
    - Control signal connections ..... 43
    - Mains supply ..... 26, 47
    - Motor earth ..... 26, 47
    - Motor output ..... 26, 47
    - Safety earth ..... 26, 47
  - Control panel ..... 71
  - control panel ..... 203
  - Control Panel memory
    - Copy all settings to Control Panel ..... 98
    - Frequency ..... 148
  - Control signal connections ..... 43
  - Control signals ..... 40, 45
    - Edge-controlled ..... 57, 86
    - Level-controlled ..... 57, 86
  - Counter-clockwise rotary field ..... 155
  - Current ..... 41
  - Current control (0-20mA) ..... 46
- D**
  - DC-link residual voltage ..... 2
  - Deceleration ..... 117
    - Deceleration time ..... 117
    - Ramp type ..... 119
  - Declaration of Conformity ..... 10
  - Default ..... 98
  - Definitions ..... 11
  - Derating ..... 218
  - Digital comparators ..... 166
  - Digital inputs
    - Board Relay ..... 164
    - DigIn 1 ..... 155
    - DigIn 2 ..... 156
    - DigIn 3 ..... 157
  - Dismantling and scrapping ..... 11
  - Display ..... 71
  - Double-ended connection ..... 45
  - Drive mode ..... 83
    - Frequency ..... 148
  - Drives on Change ..... 136
- E**
  - ECP ..... 203
  - Edge control ..... 57, 86
  - Electrical ..... 186
  - Electrical specification ..... 217
  - EMC ..... 26
    - Current control (0-20mA) ..... 46
    - Double-ended connection ..... 45
    - RFI mains filter ..... 26
    - Single-ended connection ..... 45
    - Twisted cables ..... 46
  - Emergency stop ..... 69
  - EN60204-1 ..... 10
  - EN61800-3 ..... 10
  - EN61800-5-1 ..... 10
  - Enable ..... 56, 72, 155
  - EtherCAT ..... 77, 206
  - EXOR operator ..... 176
  - Expression ..... 176
  - External Control Panel ..... 203
- F**
  - Factory settings ..... 98
  - Fail safe ..... 63
  - Fans ..... 135
  - Feedback 'Status' input ..... 63
  - Fieldbus ..... 77, 108, 206
  - Fixed MASTER ..... 66, 135
  - Flux optimization ..... 129
  - Frequency
    - Frequency priority ..... 55
    - Jog Frequency ..... 127
    - Maximum Frequency ..... 125
    - Minimum Frequency ..... 125
    - Preset Frequency ..... 130
    - Skip Frequency ..... 126
  - Frequency priority ..... 55
  - Fuses and glands ..... 223
- G**
  - General electrical specifications ..... 217
  - Global parameters ..... 97
- H**
  - Handheld Control Panel 2.0 ..... 203
  - Hydrophore controller ..... 61
- I**
  - I/O Board ..... 205
  - I/O board option ..... 61
  - I2t protection
    - Motor I2t Current ..... 94, 95
    - Motor I2t Type ..... 93
  - ID run ..... 90
  - Identification Run ..... 58, 90
  - IEC269 ..... 223
  - Industrial Ethernet ..... 77, 206
  - Interrupt ..... 109, 110, 111
  - IT Mains supply ..... 2
  - IxR Compensation ..... 128
- J**
  - Jog Frequency ..... 127
- K**
  - Keyboard reference ..... 131
  - Keys ..... 72
    - Key ..... 74
    - + Key ..... 74
    - Control keys ..... 72
    - ENTER key ..... 74
    - ESCAPE key ..... 74
    - Function keys ..... 74
    - NEXT key ..... 74
    - PREVIOUS key ..... 74
    - RUN L ..... 72
    - RUN R ..... 72

STOP/RESET .....	72	(240) .....	97	(331) .....	116
Toggle Key .....	73	(241) .....	97	(332) .....	117
<b>L</b>		(242) .....	97	(333) .....	117
LCD display .....	71	(243) .....	98	(334) .....	117
Level control .....	57, 86	(244) .....	98	(335) .....	118
Load default .....	98	(245) .....	99	(336) .....	118
Load monitor .....	59, 142	(250) .....	99	(337) .....	119
Local/Remote .....	85	(251) .....	99	(338) .....	119
Lock code .....	85	(252) .....	100	(339) .....	119
Long motor cables .....	28	(253) .....	100	(33A) .....	120
Low Voltage Directive .....	10	(254) .....	100	(33B) .....	120
Lower Band .....	137	(255) .....	101	(33C) .....	121
Lower Band Limit .....	138	(256) .....	101	(33D) .....	122
		(257) .....	101	(33E) .....	122
		(258) .....	101	(33F) .....	123
<b>M</b>		(259) .....	102	(33G) .....	123
Machine Directive .....	10	(25A) .....	102	(33H1) .....	123
Main menu .....	74	(25B) .....	102	(341) .....	125
Mains supply .....	26, 39, 47	(25C) .....	102	(342) .....	125
Maintenance .....	202	(25D) .....	102	(343) .....	125
Manis cables .....	24	(25E) .....	103	(344) .....	126
Max Frequency .....	116, 125	(25F) .....	103	(345) .....	126
Memory .....	58	(25G) .....	103	(346) .....	127
Menu		(25H) .....	103	(347) .....	127
(110) .....	81	(25I) .....	104	(348) .....	127
(120) .....	82	(25J) .....	104	(351) .....	128
(210) .....	82	(25K) .....	104	(354) .....	129
(211) .....	82	(25L) .....	104	(361) .....	130
(212) .....	83	(25M) .....	105	(362) .....	130
(213) .....	83	(25N) .....	99, 105	(363) .....	130
(214) .....	83	(25O) .....	105	(364) .....	130
(215) .....	84	(25P) .....	105	(365) .....	130
(216) .....	84	(25Q) .....	105	(366) .....	130
(217) .....	85	(25R) .....	106	(367) .....	130
(218) .....	85	(25S) .....	106	(368) .....	130
(219) .....	85	(25T) .....	106	(369) .....	131
(21A) .....	86	(25U) .....	106	(380) .....	131
(21B) .....	87	(260) .....	107	(381) .....	131
(220) .....	87	(261) .....	107	(383) .....	131
(221) .....	87	(262) .....	107	(384) .....	132
(222) .....	88	(2621) .....	108	(385) .....	132
(223) .....	88	(2622) .....	108	(386) .....	132
(224) .....	88	(263) .....	108	(387) .....	133
(225) .....	88	(2631) .....	108	(388) .....	133
(226) .....	89	(2632) .....	108	(389) .....	134
(227) .....	89	(2633) .....	109	(391) .....	135
(228) .....	89	(2634) .....	109	(392) .....	135
(229) .....	90	(264) .....	109	(393) .....	135
(22A) .....	90	(265) .....	110	(394) .....	136
(22B) .....	90	(269) .....	111	(395) .....	136
(22C) .....	91	(310) .....	111	(396) .....	136
(22D) .....	91	(320) .....	112	(398) .....	137
(230) .....	93	(321) .....	112	(399) .....	137
(231) .....	93	(322) .....	113	(39A) .....	138
(232) .....	94	(323) .....	113	(39B) .....	138
(233) .....	94	(324) .....	114	(39C) .....	138
(234) .....	95	(325) .....	114	(39D) .....	139
(235) .....	95	(326) .....	115	(39E) .....	139
(236) .....	96	(327) .....	115	(39F) .....	140
(237) .....	96	(328) .....	115	(39G) .....	140

(39H-39M) .....	141	(6115) .....	171	(723) .....	190
(410) .....	142	(6121) .....	171	(724) .....	190
(411) .....	142	(6122) .....	172	(725) .....	190
(412) .....	142	(6123) .....	172	(726) .....	190
(413) .....	142	(6124) .....	172	(727) .....	191
(414) .....	142	(6125) .....	172	(728-72A) .....	191
(415) .....	143	(6131) .....	173	(730) .....	192
(416) .....	143	(6132) .....	173	(731) .....	192
(4162) .....	143	(6133) .....	173	(7311) .....	192
(417) .....	143	(6134) .....	173	(732) .....	192
(4171) .....	143	(6135) .....	174	(733) .....	192
(4172) .....	144	(6141) .....	174	(7331) .....	193
(418) .....	144	(6142) .....	174	(800) .....	193
(4181) .....	144	(6143) .....	174	(810) .....	193
(4182) .....	144	(6144) .....	175	(811-81N) .....	194
(419) .....	144	(6145) .....	175	(820) .....	194
(4191) .....	144	(6151) .....	175	(830) .....	194
(4192) .....	145	(6152) .....	175	(8A0) .....	195
(41A) .....	145	(6153) .....	176	(900) .....	195
(41B) .....	145	(6154) .....	176	(920) .....	195
(41C) .....	145	(620) .....	176	(922) .....	196
(421) .....	146	(621) .....	176, 177	33F .....	123
(422) .....	147	(622) .....	176, 177	616 .....	172
(423) .....	147	(623) .....	176, 177	Minimum Frequency .....	118
(424) .....	147	(624) .....	176	Modbus .....	77
(511) .....	148	(625) .....	176	Modbus/TCP .....	77, 206
(512) .....	149	(630) .....	178	Monitor function	
(513) .....	150	(631) .....	178	Alarm Select .....	145
(514) .....	153	(632) .....	178	Auto set .....	145
(515) .....	153	(633) .....	179	Delay time .....	142
(516) .....	153	(634) .....	179	Max Alarm .....	142
(517) .....	154	(635) .....	179	Overload .....	59, 142
(518) .....	154	(640) .....	179	Ramp Enable .....	142
(519) .....	154	(641) .....	180	Response delay .....	143, 145
(51A) .....	154	(642) .....	180	Start delay .....	142
(51B) .....	155	(643) .....	180	Motor cables .....	26
(51C) .....	155	(644) .....	180	Motor cos phi (power factor) .....	89
(521) .....	123, 155	(645) .....	181	Motor data .....	87
(522) .....	156	(649) .....	181	Motor frequency .....	88
(529-52H) .....	157	(650) .....	181	Motor I2t Current .....	199
(531) .....	157	(651) .....	181	Motor identification run .....	90
(532) .....	158	(652) .....	181	Motor Lost .....	101
(533) .....	158	(653) .....	182	Motor lost .....	147
(534) .....	160	(654) .....	182	Motor Potentiometer .....	130, 155
(535) .....	161	(655) .....	182	Motor potentiometer .....	155
(536) .....	161	(659) .....	182	Motor PTC .....	42, 43, 96
(541) .....	161	(711) .....	186	Motor ventilation .....	89
(542) .....	163	(712) .....	186	Motors .....	7
(551) .....	163	(713) .....	186	Motors in parallel .....	37
(552) .....	163	(714) .....	186	MotPot .....	117
(553) .....	164	(715) .....	186	Multi-motor application .....	83
(55D) .....	164	(716) .....	187		
(561) .....	165	(717) .....	187	<b>N</b>	
(562) .....	165	(718) .....	187	Nominal motor frequency .....	125
(563-56G) .....	165	(719) .....	187	Number of drives .....	135
(610) .....	166	(71A) .....	188		
(6111) .....	166	(71B) .....	188	<b>O</b>	
(6112) .....	168	(720) .....	188	Operation .....	82
(6113) .....	170	(721) .....	188	Options .....	46, 203
(6114) .....	170	(722) .....	189	Brake chopper .....	204

External Control Panel (ECP)	203	Run Right command	155	<b>W</b>
I/O Board	205	Running motor	120	Wiring
OR operator	176			65
Output chokes	209	<b>S</b>		
Output Voltage	187	Select Drive	135	
Overload	59, 142	Settle Time	139	
Overload alarm	59	Setup menu	74	
		Menu structure	74	
<b>P</b>		Shaft power	186	
Parameter sets		Signal ground	226	
Load default values	98	Single-ended connection	45	
Load parameter sets from		Software	196	
Control Panel	99	Sound characteristic	90	
Parameter Set Selection	53	Speed	186	
Select a Parameter set	97	Spinstart	120	
PID control	64	Standards	9	
PID Controller	131	Standby supply board	206	
Closed loop PID control	132	Start Delay	137	
Feedback signal	131	Start/Stop settings	116	
PID D Time	132	Status indications	71	
PID I Time	132	Stop categories	69	
PID P Gain	131	Stop command	155	
Priority	55	Stop Delay	138	
Process Protection	146	Stripping lengths	31	
Process Value	186	Switches	41	
Product standard, EMC	9	Switching frequency	90	
Programming	75	Switching in motor cables	28	
PT100 Inputs	96			
PTC input	95	<b>T</b>		
Pump size	66	Technical Data	211	
Pump/Fan Control	135	Terminal connections	40	
		Test Run	90	
<b>Q</b>		Timer	136	
Quick Setup Card	7	Torque	128	
		Transition Frequency	139	
<b>R</b>		Trip	72	
Reference		Trip causes and remedial action	198	
Frequency	146	Trip Message log	193	
Motor potentiometer	155	Trips, warnings and limits	197	
Reference signal	83, 111	Twisted cables	46	
Set reference value	111	Type code number	8	
Torque	147			
View reference value	111	<b>U</b>		
Reference control	83	Underload	59	
Reference signal	83, 84	Underload alarm	142	
Relay output	163	Unlock Code	85	
Relay 1	163	Upper Band	137	
Relay 2	163	Menu		
Relay 3	164	(397)	137	
Release speed	122	Upper Band Limit	138	
Remote control	56			
Reset command	155	<b>V</b>		
Reset control	84	V/Hz Mode	83	
Resolution	81	Vector Brake	123	
RFI mains filter	26	Ventilation	89	
Rotation	85	View reference value	111	
RS232/485	107	Voltage	41	
RUN	72	VSD Data	195	
Run command	72			
Run Left command	155			





CG Drives & Automation Sweden AB  
Mörsaregatan 12  
Box 222 25  
SE-250 24 Helsingborg  
Sweden  
T +46 42 16 99 00  
F +46 42 16 99 49  
[www.emotron.com/www.cgglobal.com](http://www.emotron.com/www.cgglobal.com)

Document set: 01-5323-01r2  
Instruction manual, 01-5325-01r2  
Quick setup card, 01-5327-01r0  
2014-05-15